

SERVICE PARTS CATALOGUE

MODEL

**STONEBEAR SB 5200 - Rock Collector - Up To Sn
Ktnka801c00001232 (07/14 - 10/18)**

Print Date: 08/2024

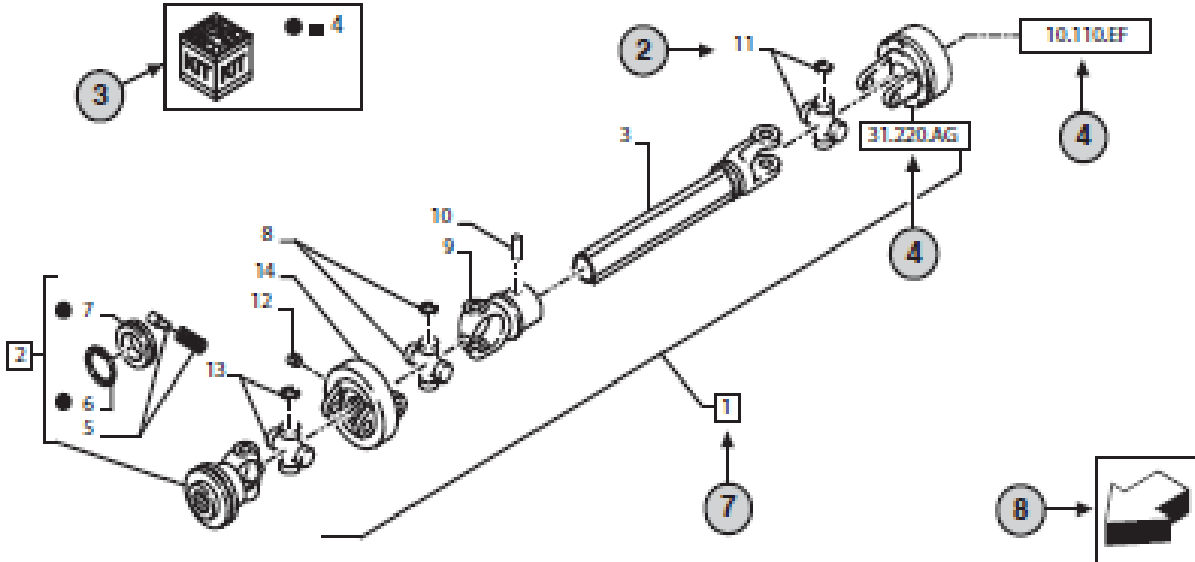
31.220.AD

01

p1

10/2014

VAR - 123782, 789101,987654 - PTO - D650



STANDARD ← 6

23

9

10

31.220.AD

01

p1

10/2014

VAR - 123782, 789101,987654 - PTO - D650

11

12

13

14

REF	FN	PART NUMBER	YR/SN	QTY	DESCRIPTION
1	1	86529340	↑ 20	1	SHAFT PTO, Incl 2 - 11
2	↑ 15	84014007		1	YOKE, Incl 4 -7 ← 7
3	↑ 16	NSS		1	NOT SERVICED SEPARATELY, SHAFT, 350mm, Incl In 1
4		84004292		1	KIT, Seal Kit, Incl 6, 7 ↑ 17
4		{84058743}		1	KIT, Seal Kit, Incl 6, 7
↑ 2	↑ 18	↑ 19		↑ 21	↑ 22
1 - FOR ITALY ONLY ← 5					

MODELS ← 1


- 1 Model Number and Model Description
- 2 Reference - Figure call-out of the part number.
- 3 Parts supplied in repair kits per symbol reference.
- 4 31.220.AD Part illustrated on the **Page** or in the **Figure** indicated, or calls for **Variations** or **Details**. Indicates components shown in detail elsewhere in the catalogue under the figure number shown.
- 5 Footnote references
- 6 Figure notes
- 7 1 2 Includes item(s) (See Description within partlist.)
- 8 Orientation. (Arrow indicates front of the machine). 
- 9 Figure description.
- 10 General information of the figure.
- 11 Figure title number that aligns with the SRT. Standard Repair Time.
- 12 **Sequence** code within the assembly.
- 13 Page number within the sequence code.
- 14 **Date** of printing or updating of page (month-year).
- 15 **Note** - Relating to the Part Number. There is a key to symbols and abbreviations at the bottom of the text page.
- 16 Non-serviced parts.
- 17 Further description of the part to help confirm identification.
- 18 Not available as service part.
- 19 Part Number.
- 20 To be defined.
- 21 Total **Quantity** of the Part referred to in the page.
The quantity can be replaced by the following indications:
AR = quantity as requested.
- 22 Part **Description**.
- 23 Variant Codes

TABLE OF CONTENTS

001	001
002	002
002A	GEAR BOX , STONEBEAR
003	003
003A	DRIVESHAFT
004	004
005	005
006	006
007	007
008	008
009	009
010	010
011	011
013	013; (SN Break) Before KTNKA210E00001337
014	014; (SN Break) Before KTNKA210E00001337
015	015; (SN Break) Before KTNKA210E00001337
018	STONEBEAR FRONT LIGHT KIT ASSEMBLY LEFT SIDE; (SN Break) After KTNKA210E00001338
019	STONEBEAR FRONT LIGHT KIT ASSEMBLY RIGHT SIDE; (SN Break) After KTNKA210E00001338
022	LIGHT KIT ASSEMBLY - LEFT SIDE; (SN Break) After KTNKA210E00001338
023	LIGHT KIT ASSEMBLY - RIGHT SIDE; (SN Break) After KTNKA210E00001338
024	LIGHT KIT ASSEMBLY - LEFT SIDE; (SN Break) After KTNKA210E00001338
025	LIGHT KIT ASSEMBLY - RIGHT SIDE; (SN Break) After KTNKA210E00001338
028	SCREEN 28MM - DIA KIT
029	SCREEN 35MM - DIA KIT
030	SCREEN 40MM - DIA KIT
031	SCREEN 50MM - DIA KIT
032	SCREEN 70MM - DIA KIT

SECTION INDEX

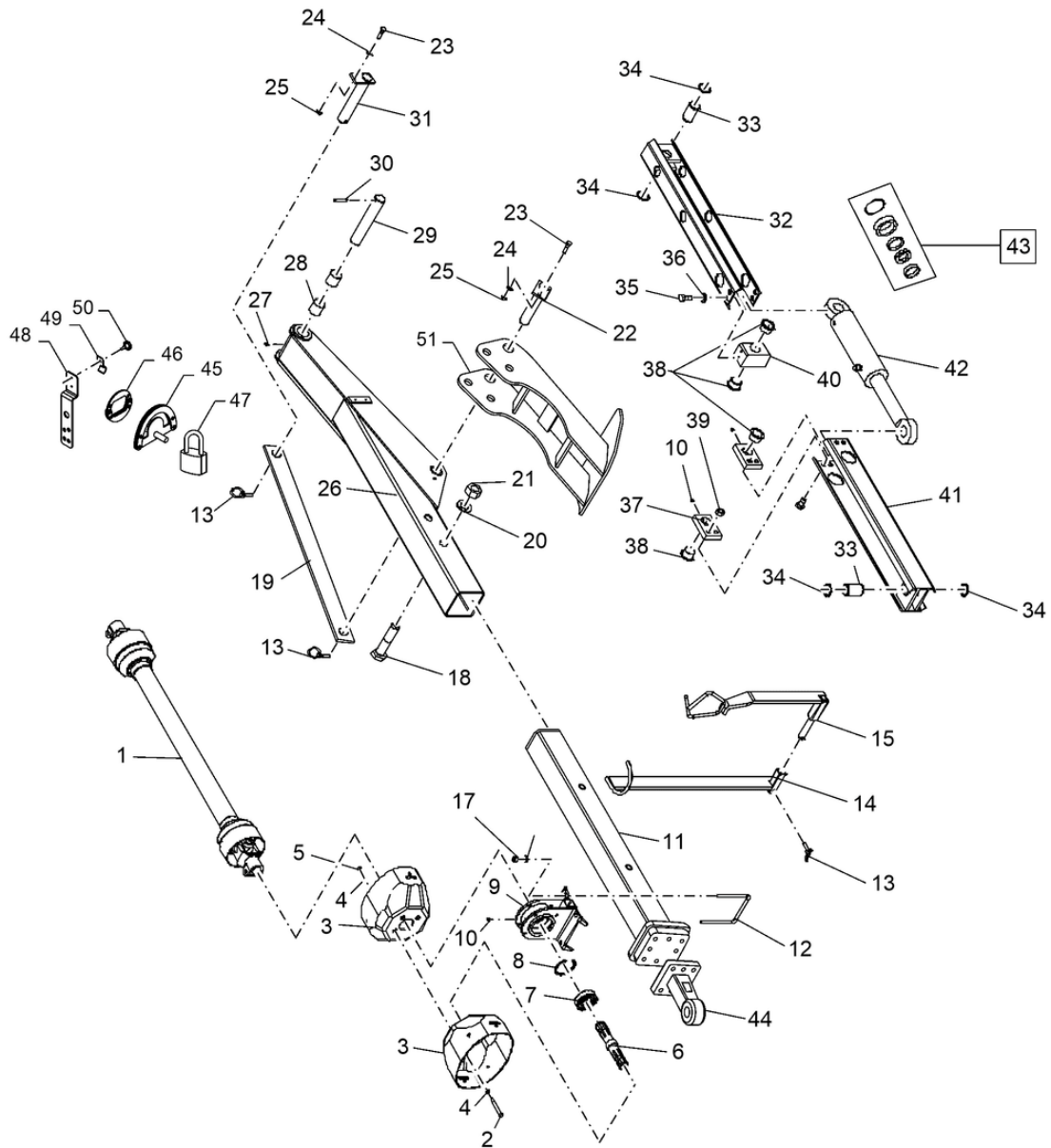
GENERAL

001	001
002	002
002A	GEAR BOX , STONEBEAR
003	003
003A	DRIVESHAFT
004	004
005	005
006	006
007	007
008	008
009	009
010	010
011	011
013	013; (SN Break) Before KTNKA210E00001337
014	014; (SN Break) Before KTNKA210E00001337
015	015; (SN Break) Before KTNKA210E00001337
018	STONEBEAR FRONT LIGHT KIT ASSEMBLY LEFT SIDE; (SN Break) After KTNKA210E00001338
019	STONEBEAR FRONT LIGHT KIT ASSEMBLY RIGHT SIDE; (SN Break) After KTNKA210E00001338
022	LIGHT KIT ASSEMBLY - LEFT SIDE; (SN Break) After KTNKA210E00001338
023	LIGHT KIT ASSEMBLY - RIGHT SIDE; (SN Break) After KTNKA210E00001338
024	LIGHT KIT ASSEMBLY - LEFT SIDE; (SN Break) After KTNKA210E00001338
025	LIGHT KIT ASSEMBLY - RIGHT SIDE; (SN Break) After KTNKA210E00001338
028	SCREEN 28MM - DIA KIT
029	SCREEN 35MM - DIA KIT
030	SCREEN 40MM - DIA KIT
031	SCREEN 50MM - DIA KIT
032	SCREEN 70MM - DIA KIT

001

p1

001



001

p1

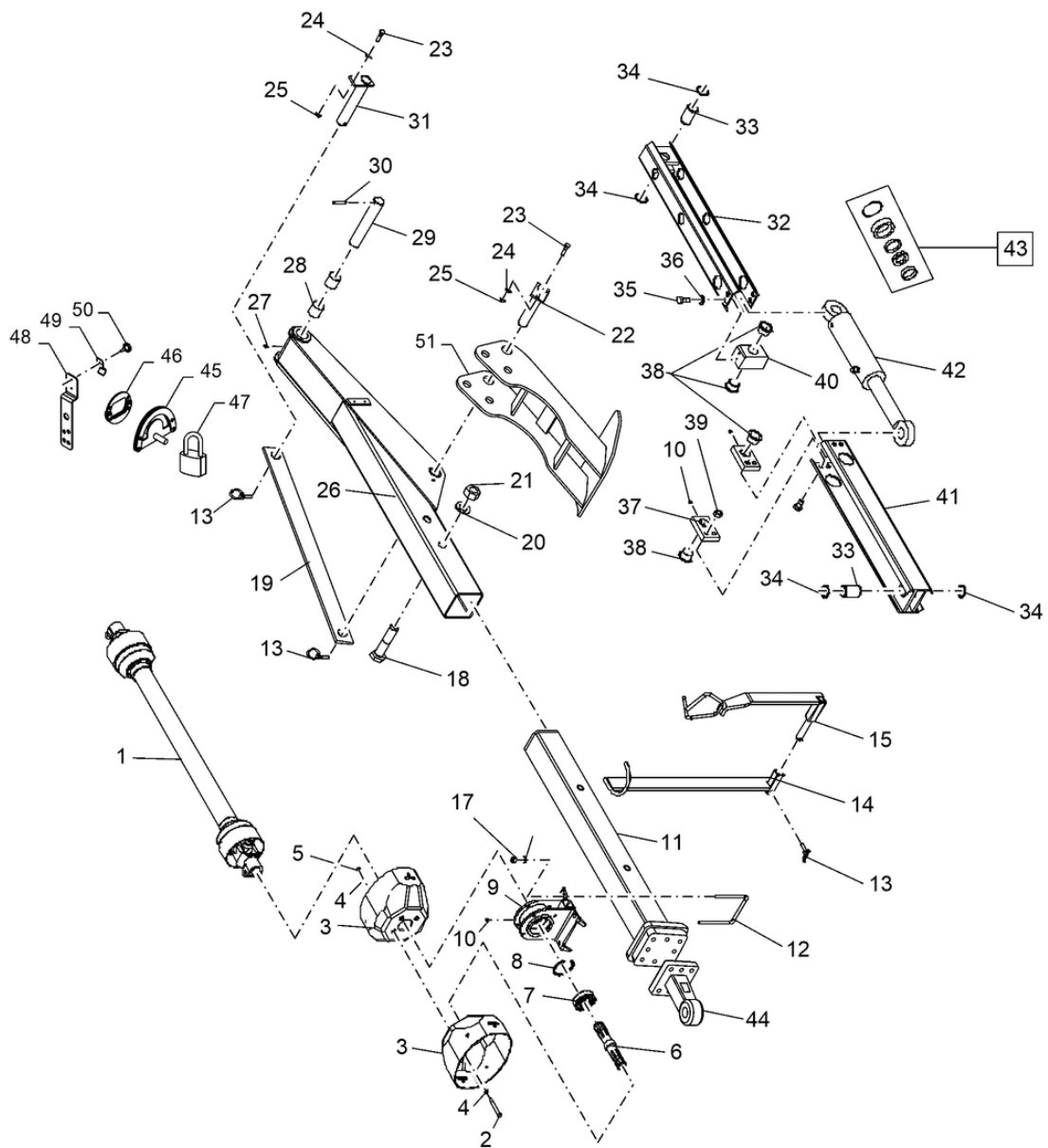
001

REF	PN	QTY	DESCRIPTION	USAGE
1	500068811	1	PTO SHAFT	SHAFT;FOR SB4000 AND SB5200 ONLY
2	500031464	4	SCREW	HEX HEAD M8X80;FOR SB4000 AND SB5200 ONLY
3	500068872	2	GUARD	GUARD;FOR SB4000 AND SB5200 ONLY
4	500163517	8	WASHER	WASHER M8 DIN 440;FOR SB4000 AND SB5200 ONLY
5	500057550	4	NUT	LOCK NUT M8;FOR SB4000 AND SB5200 ONLY
6	500068134	1	AXLE	FOR SB4000 AND SB5200 ONLY
7	500021157	2	SPH ROLLER BEARING	6307 2RS;FOR SB4000 AND SB5200 ONLY
8	500027104	2	CIRCLIP	J80X2.5 DIN 472;FOR SB4000 AND SB5200 ONLY
9	500068132	1	BEARING HOUSING	FOR SB4000 AND SB5200 ONLY
10	500030263	1	NIPPLE	LUBRICATION NIPPLE M6;FOR SB4000 AND SB5200 ONLY
11	300362100	1	EXTENSION	
12	500068133	2	U-BOLT	U-BOLT;FOR SB4000 AND SB5200 ONLY
13	500040150	2	PIN	LINCH PIN D9;FOR SB4000 AND SB5200 ONLY
14	500068136	1	SUPPORT	FOR SB4000 AND SB5200 ONLY
15	500068135	1	SUPPORT	FOR SB4000 AND SB5200 ONLY
16	500010462	2	WASHER	WASHER M12;FOR SB4000 AND SB5200 ONLY
17	500056448	2	LOCK NUT	LOCK NUT M12;FOR SB4000 AND SB5200 ONLY
18	500068141	1	BOLT	HEX HEAD M30X160;FOR SB4000 AND SB5200 ONLY
19	500068138	1	LOCK	FOR SB4000 AND SB5200 ONLY
20	500068142	1	TRAY	WASHER M30;FOR SB4000 AND SB5200 ONLY
21	500089121	1	CROWN NUT	LOCK NUT M30;FOR SB4000 AND SB5200 ONLY
22	500068129	1	PIN	FOR SB4000 AND SB5200 ONLY

001

p2

001



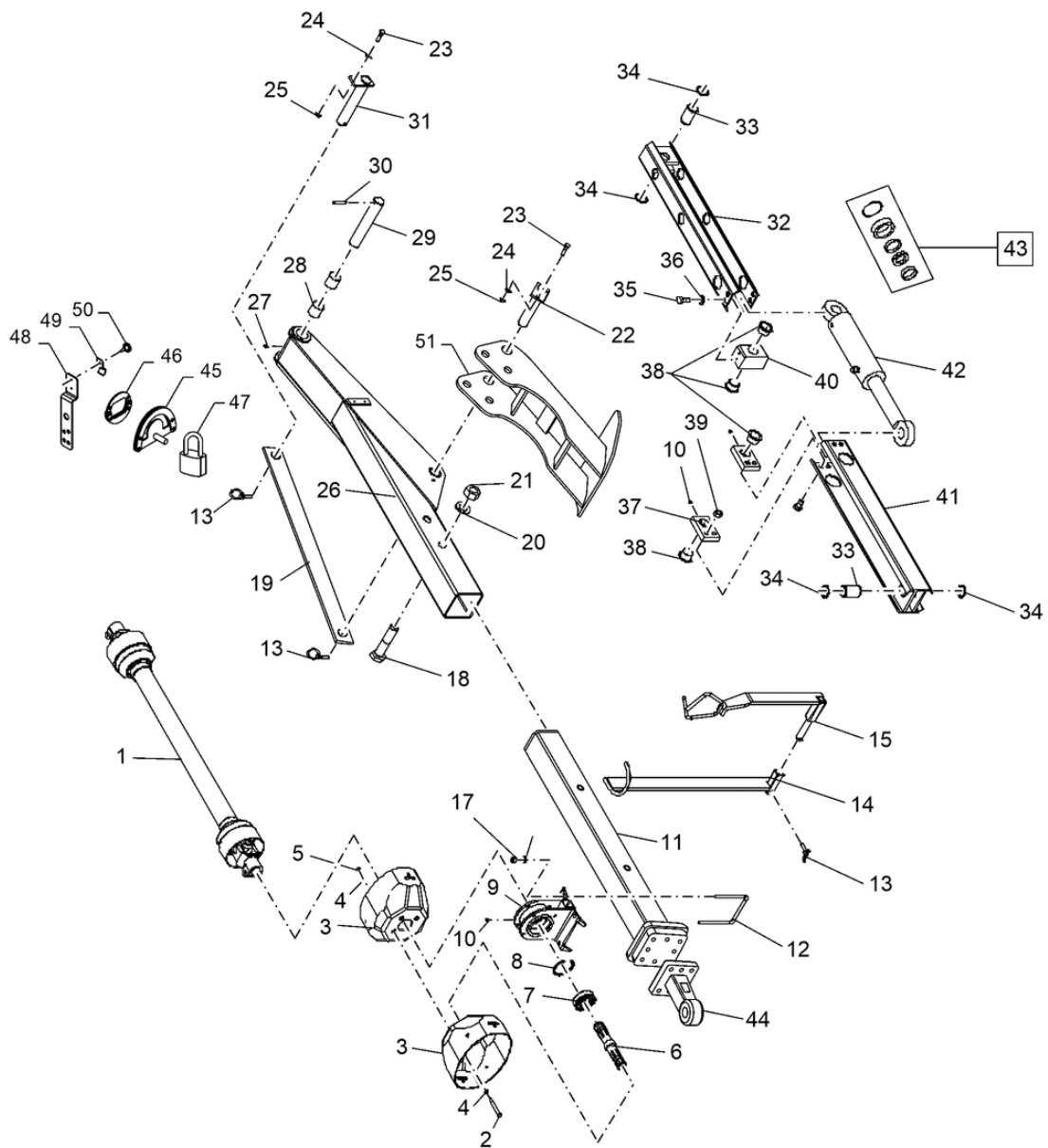
001

REF	PN	QTY	DESCRIPTION	USAGE
23	500040702	2	SCREW	HEX HEAD M10X20;FOR SB4000 AND SB5200 ONLY
24	500010607	2	WASHER	WASHER M10;FOR SB4000 AND SB5200 ONLY
25	500057379	2	NUT	LOCK NUT M10;FOR SB4000 AND SB5200 ONLY
26	500068122	1	FRAME	FOR SB4000 AND SB5200 ONLY
27	500010761	1	NIPPLE	LUBRICATION NIPPLE M8;FOR SB4000 AND SB5200 ONLY
28	500087593	2	BUSHING	GT454040;FOR SB4000 AND SB5200 ONLY
29	500068123	1	PIN	FOR SB4000 AND SB5200 ONLY
30	500068143	1	PIN	SPRING PIN D 10X70 DIN 1481;FOR SB4000 AND SB5200 ONLY
31	500068128	1	PIN	FOR SB4000 AND SB5200 ONLY
31	330040119	1	PIVOT	(Prod Date) After 31 Aug 2024
32	500068125	1	PLATE	FOR SB4000 AND SB5200 ONLY
33	500068130	2	SLEEVE	FOR SB4000 AND SB5200 ONLY
34	500085809	4	O-RING	A40X1.75;FOR SB4000 AND SB5200 ONLY
35	500063135	8	SCREW	HEX HEAD M16X25;FOR SB4000 AND SB5200 ONLY
36	500030887	4	WASHER	WASHER M16;FOR SB4000 AND SB5200 ONLY
37	500068126	2	PLATE	FOR SB4000 AND SB5200 ONLY
38	500068131	4	BUSHING	35/39/50X22 PDE-F;FOR SB4000 AND SB5200 ONLY
39	500053190	4	NUT	LOCK NUT M16;FOR SB4000 AND SB5200 ONLY
40	500068127	1	SUPPORT	FOR SB4000 AND SB5200 ONLY
41	500068124	1	PLATE	FOR SB4000 AND SB5200 ONLY
42	500680513	1	HYDRAULIC CYLINDER	FOR SB4000 AND SB5200 ONLY
43	500068513	1	SEAL KIT SEAL KIT	SEALING KIT;FOR SB4000 AND SB5200 ONLY
44	300007625	1	HOLDER	
45	330024137	1	PROTECTOR	Anti-theft protection drawbar
46	330024138	1	PROTECTOR	Anti-theft protection drawbar

001

p3

001



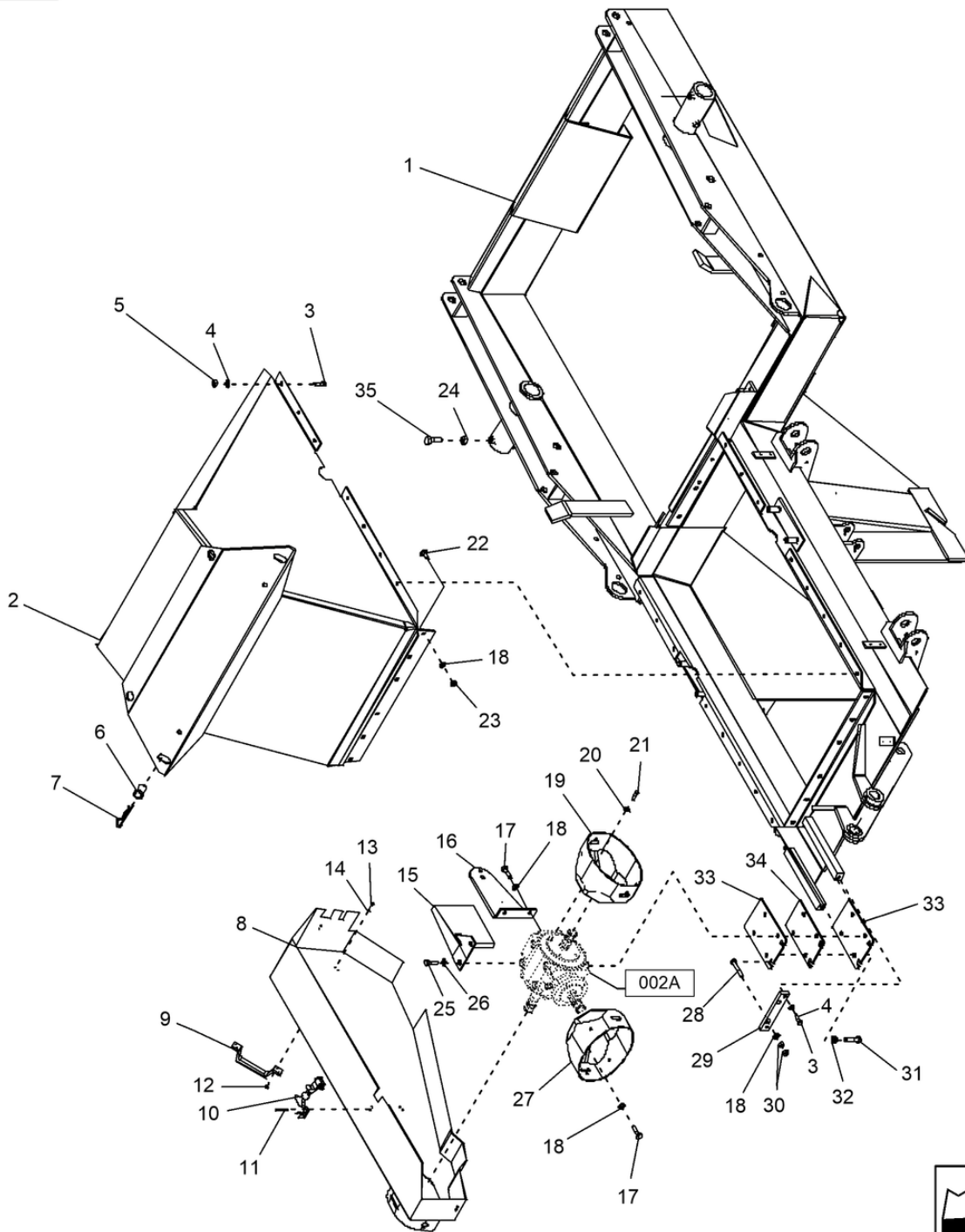
001

p3

001

REF	PN	QTY	DESCRIPTION	USAGE
47	41653824100	1	PADLOCK	PADLOCK
48	330024038	1	SUPPORT	SUPPORT FOR ANTI-THEFT SYSTEM
49	812112-978X	1	CLAMP	CLAMP
50	303021284	1	BOLT	BOLT WITH HANDLE, M6 X 20
51	330040098	1	SUPPORT	SUPPORT LEG; (Prod Date) After 31 Aug 2024

002



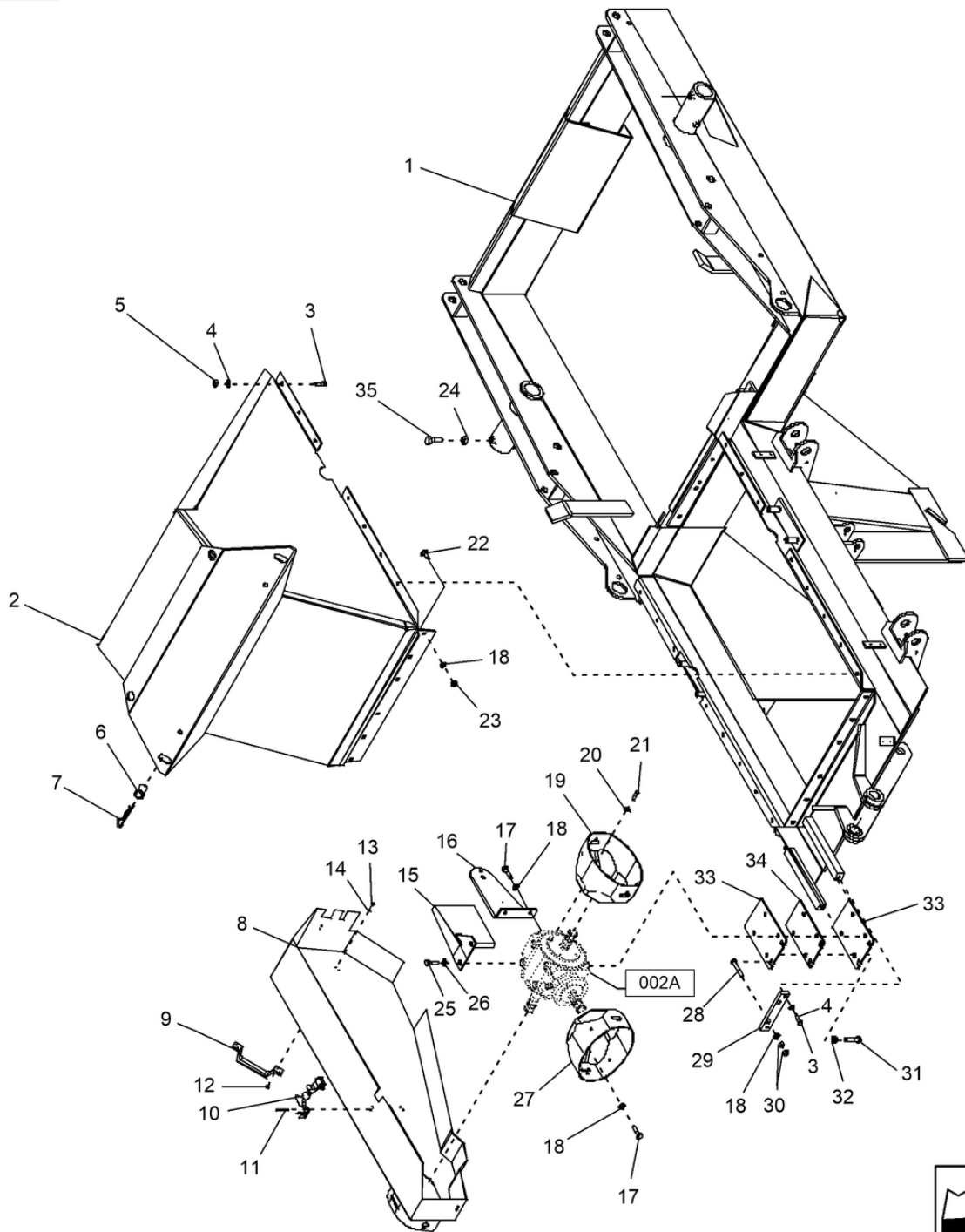
002

p1

002

REF	PN	QTY	DESCRIPTION	USAGE
1	500068120	1	FRAME	FRAME;FOR SB4000 AND SB5200 ONLY
2	330045000	1	COVER	
3	500030958	22	SCREW	HEX HEAD M10X25;FOR SB4000 AND SB5200 ONLY
4	500010607	22	WASHER	WASHER M10;FOR SB4000 AND SB5200 ONLY
5	500057379	22	NUT	LOCK NUT M10;FOR SB4000 AND SB5200 ONLY
6	500090256	2	LOCK PIN	FOR SB4000 AND SB5200 ONLY
7	500040929	2	LOCK PIN	PIN D 6X118 DIN11024;FOR SB4000 AND SB5200 ONLY
8	330045001	1	COVER	
9	500013239	2	GUARD	FOR SB4000 AND SB5200 ONLY
10	500087115	3	RUBBER STRIP	FOR SB4000 AND SB5200 ONLY
11	500095304	12	RIVET	DRAW RIVET 4.0X14;FOR SB4000 AND SB5200 ONLY
12	500030528	12	SCREW	DIN 965 M5X16;FOR SB4000 AND SB5200 ONLY
13	500063964	12	NUT	LOCK NUT M5;FOR SB4000 AND SB5200 ONLY
15	500068873	1	FRAME	FOR SB4000 AND SB5200 ONLY
16	500068875	1	SUPPORT	FOR SB4000 AND SB5200 ONLY
17	500030949	6	BOLT	HEX HEAD M12X25;FOR SB4000 AND SB5200 ONLY
18	500010462	6	WASHER	WASHER M12;FOR SB4000 AND SB5200 ONLY
19	330044070	1	GUARD	COVER;FOR SB4000 AND SB5200 ONLY
20	500010784	4	WASHER	WASHER M8;FOR SB4000 AND SB5200 ONLY
21	500053363	3	SCREW	HEX HEAD M8X20;FOR SB4000 AND SB5200 ONLY
22	500057229	6	SCREW	LOCK SCREW M12X30;FOR SB4000 AND SB5200 ONLY
23	500056448	6	LOCK NUT	LOCK NUT M12;FOR SB4000 AND SB5200 ONLY

002



002

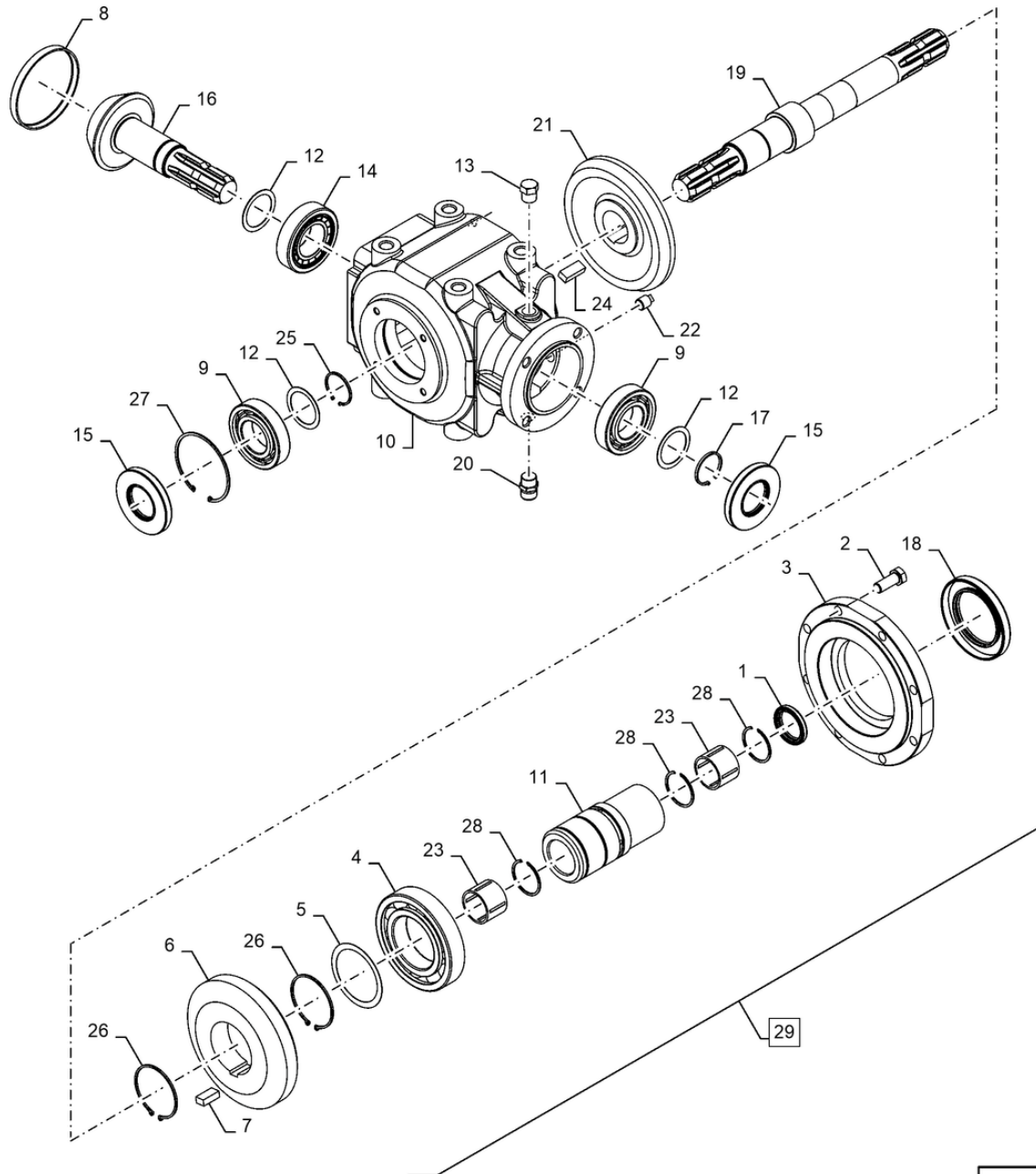
REF	PN	QTY	DESCRIPTION	USAGE
24	500030124	4	NUT	NUT M16;FOR SB4000 AND SB5200 ONLY
25	500063135	2	SCREW	HEX HEAD M16X25;FOR SB4000 AND SB5200 ONLY
26	500030887	2	WASHER	WASHER M16;FOR SB4000 AND SB5200 ONLY
27	500068872	1	GUARD	COVER;FOR SB4000 AND SB5200 ONLY
28	500061943	2	SCREW	HEX HEAD M12X80;FOR SB4000 AND SB5200 ONLY
29	500068865	1	PLATE	FOR SB4000 AND SB5200 ONLY
30	500030968	4	NUT	NUT M12;FOR SB4000 AND SB5200 ONLY
31	500089310	4	SCREW	HEX HEAD M16X4012.9;FOR SB4000 AND SB5200 ONLY
32	500040151	4	WASHER	SPRING WASHER M16;FOR SB4000 AND SB5200 ONLY
33	500068862	2	PLATE	FOR SB4000 AND SB5200 ONLY
34	500068864	1	PLATE	FOR SB4000 AND SB5200 ONLY
35	500059102	4	BOLT	FOR SB4000 AND SB5200 ONLY

REF	FIGURE NUMBER	FIGURE NAME
002A	002A	GEAR BOX , STONEBEAR

002A

p1

GEAR BOX , STONEBEAR



002A

p1

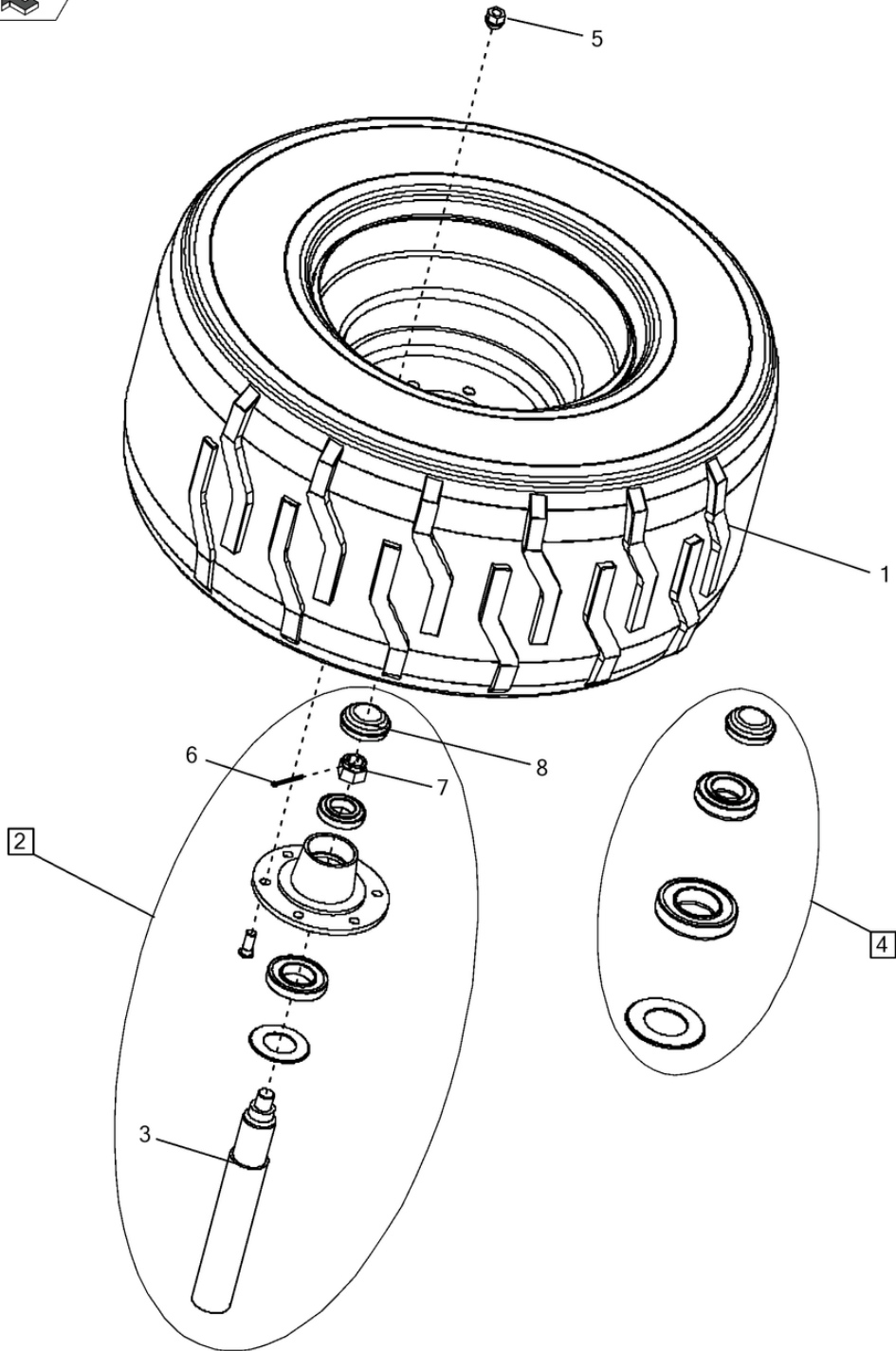
GEAR BOX , STONEBEAR

REF	PN	QTY	DESCRIPTION	USAGE
1	330040021	1	OIL SEAL	
2	330040022	8	BOLT	
3	330040023	1	BEARING, ROLLER, CYL	
4	330040024	1	BEARING, ROLLER, CYL	
5	330040025	1	SHIM	
6	330040026	1	GEAR	
7	330040027	1	KEY	
8	330040028	1	CAP	
9	330040029	2	BEARING, ROLLER, CYL	
10	330040030	1	HOUSING	
11	330040031	1	SHAFT	
12	330040032	3	SHIM	
13	330040033	1	PLUG	
14	330040034	1	BEARING, ROLLER, CYL	
15	330040035	2	OIL SEAL	
16	330040036	1	SHAFT	
17	330040037	1	SNAP RING	
18	330040038	1	OIL SEAL	
19	330040039	1	SHAFT	
20	330040040	1	PLUG	
21	330040041	1	GEAR	
22	330040042	1	PLUG	
23	330040043	2	BEARING, ROLLER, CYL	
24	330040044	1	KEY	
25	330040045	1	SNAP RING	
26	330040046	2	SNAP RING	
27	330040047	1	SNAP RING	
28	330040048	3	SNAP RING	
29	500680861	1	GEARBOX	Incl 1 - 28

003

p1

003



003

p1

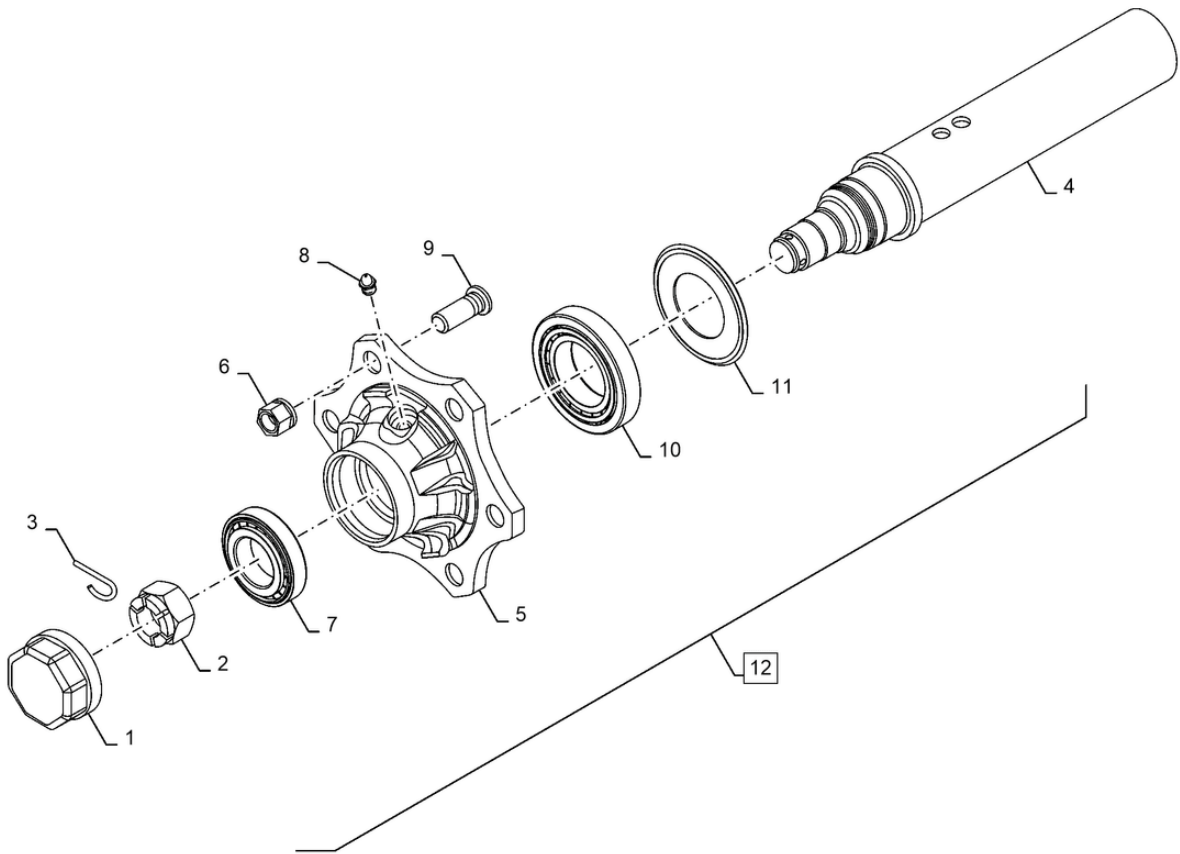
003

REF	PN	QTY	DESCRIPTION	USAGE
1	500350915	2	TYRE/TIRE	500/60-22.5;FOR SB4000 AND SB5200 ONLY
2	500068102	2	HUB	HUB ASSEMBLY;FOR SB4000 AND SB5200 ONLY; (SN Break) Before KTNKA801V00001751
3	500068396	2	SHAFT	FOR SB4000 AND SB5200 ONLY
4	500590120	2	BEARING SET	BEARING KIT;FOR SB4000 AND SB5200 ONLY
5	500059118	12	WHEEL NUT	NUT M18X1.5X45 + M18X1.5;FOR SB4000 AND SB5200 ONLY
6	500057243	2	PIN	PIN 6.3X71;FOR SB4000 AND SB5200 ONLY
7	500059122	2	CROWN NUT	M36X2 DIN935-8ZN/C;FOR SB4000 AND SB5200 ONLY
8	500059119	2	DUST CAP	FOR SB4000 AND SB5200 ONLY

003A

p1

DRIVESHAFT



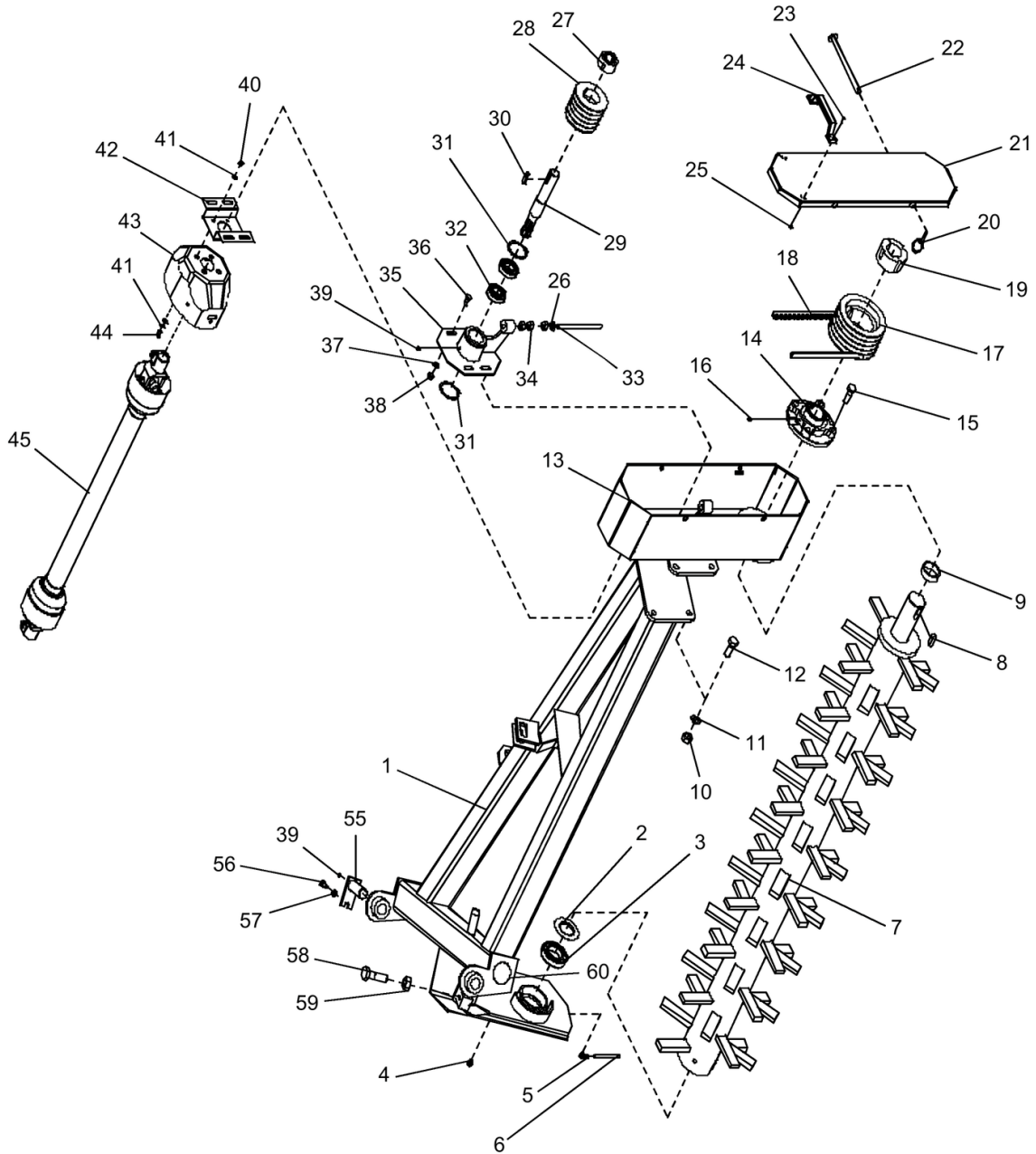
003A

p1

DRIVESHAFT

REF	PN	QTY	DESCRIPTION	USAGE
1	330044021	1	CAP	CAP 080 PUSH ON ADR OCTAGONAL
2	330044022	1	CROWN NUT	CROWN NUT M39x1.50 WR50 H28
3	330044023	1	PIN	SPRING PIN FOR NUT M39
4	330044024	1	STUB AXLE/STEERING S	BODY STUBAXLE S070 LAM FF0403
5	330044025	1	HUB	HUB H06 18 080-0100 160-205
6	330044026	6	STUD	STUD NUT M18x1.50 CH24 GERMAN TYPE
7	330044027	1	BEARING, ROLLER, CYL	TAPER ROLLER BEARING 30208 040 080 19.75
8	330044028	1	LUBE NIPPLE	GREASE NIPPLE STRAIGHT M08X1,25
9	330044029	6	STUD	STUD M18x 1,50 L054
10	330044030	1	BEARING, ROLLER, CYL	TAPER ROLLER BEARING 3213X 065 100 23
11	330044031	1	OIL SEAL	AGRICULTURAL GREASE SEAL
12	330044019	1	HUB	Incl 1 - 11; (SN Break) After KTNKA801V00001752

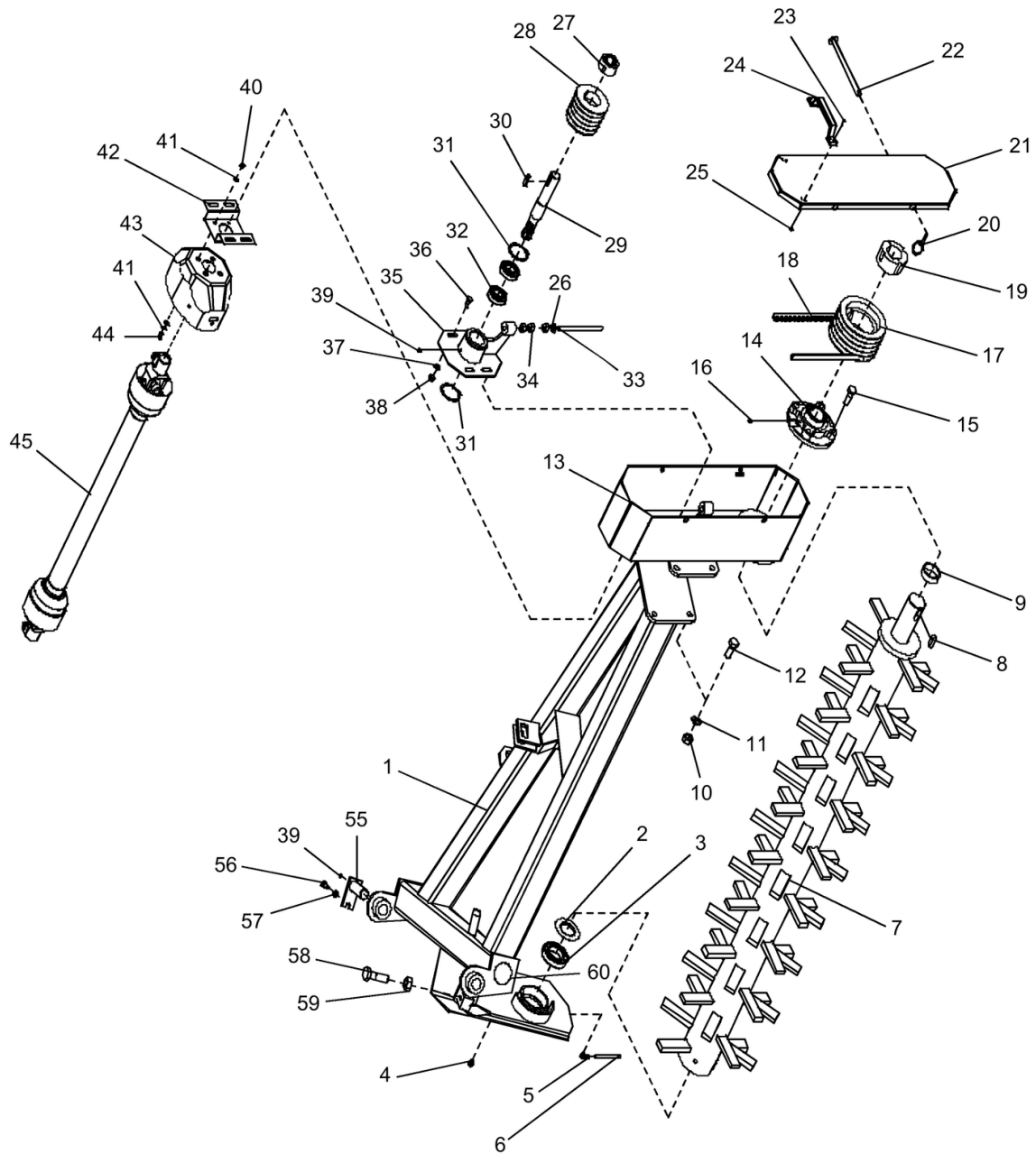
004



004

REF	PN	QTY	DESCRIPTION	USAGE
1	500068247	1	FRAME	FOR SB4000 ONLY
1	500068246	1	FRAME	FOR SB4000 ONLY
1	500068256	1	FRAME	FOR SB5200 ONLY
1	500068255	1	FRAME	FOR SB5200 ONLY
2	500068241	2	SEAL	FOR SB4000 ONLY
2	500068260	2	SEAL	FOR SB5200 ONLY
3	500068214	2	BALL BEARING	2211 RS;FOR SB4000 ONLY
3	500068261	2	BALL BEARING	2212 RS;FOR SB5200 ONLY
4	500068249	2	FITTING	FOR SB4000 AND SB5200 ONLY
5	500068250	2	ELBOW	FOR SB4000 AND SB5200 ONLY
6	500003303	2	PIN	FOR SB4000 AND SB5200 ONLY
7	500068245	1	RAKE	FOR SB4000 AND SB5200 ONLY
7	500068244	1	RAKE	FOR SB4000 AND SB5200 ONLY
7	500068259	1	RAKE	FOR SB5200 ONLY
7	500068258	1	RAKE	FOR SB5200 ONLY
8	500068210	2	KEY	KEY 18X11-40 DIN 6885A;FOR SB4000 AND SB5200 ONLY
9	500068212	2	BUSHING	FOR SB4000 AND SB5200 ONLY
10	500053463	8	LOCK NUT	LOCK NUT M20;FOR SB4000 AND SB5200 ONLY
11	500053942	8	TRAY	WASHER M20;FOR SB4000 AND SB5200 ONLY
12	500068248	8	BOLT	HEX HEAD M20X50;FOR SB4000 AND SB5200 ONLY
13	500068203	1	GUARD	FOR SB4000 AND SB5200 ONLY
13	500068217	1	TOOL BOX	FOR SB4000 AND SB5200 ONLY
14	500068211	2	FLANGED BEARING	UCFC 212;FOR SB4000 AND SB5200 ONLY
15	500053227	8	BOLT	HEX HEAD M16X50;FOR SB4000 AND SB5200 ONLY
16	500030263	2	NIPPLE	LUBRICATION NIPPLE M6;FOR SB4000 AND SB5200 ONLY
17	500068869	2	PULLEY	SPB DM=190-5/3020;FOR SB4000 AND SB5200 ONLY
18	500068209	10	BELT	XPB1600;FOR SB4000 AND SB5200 ONLY

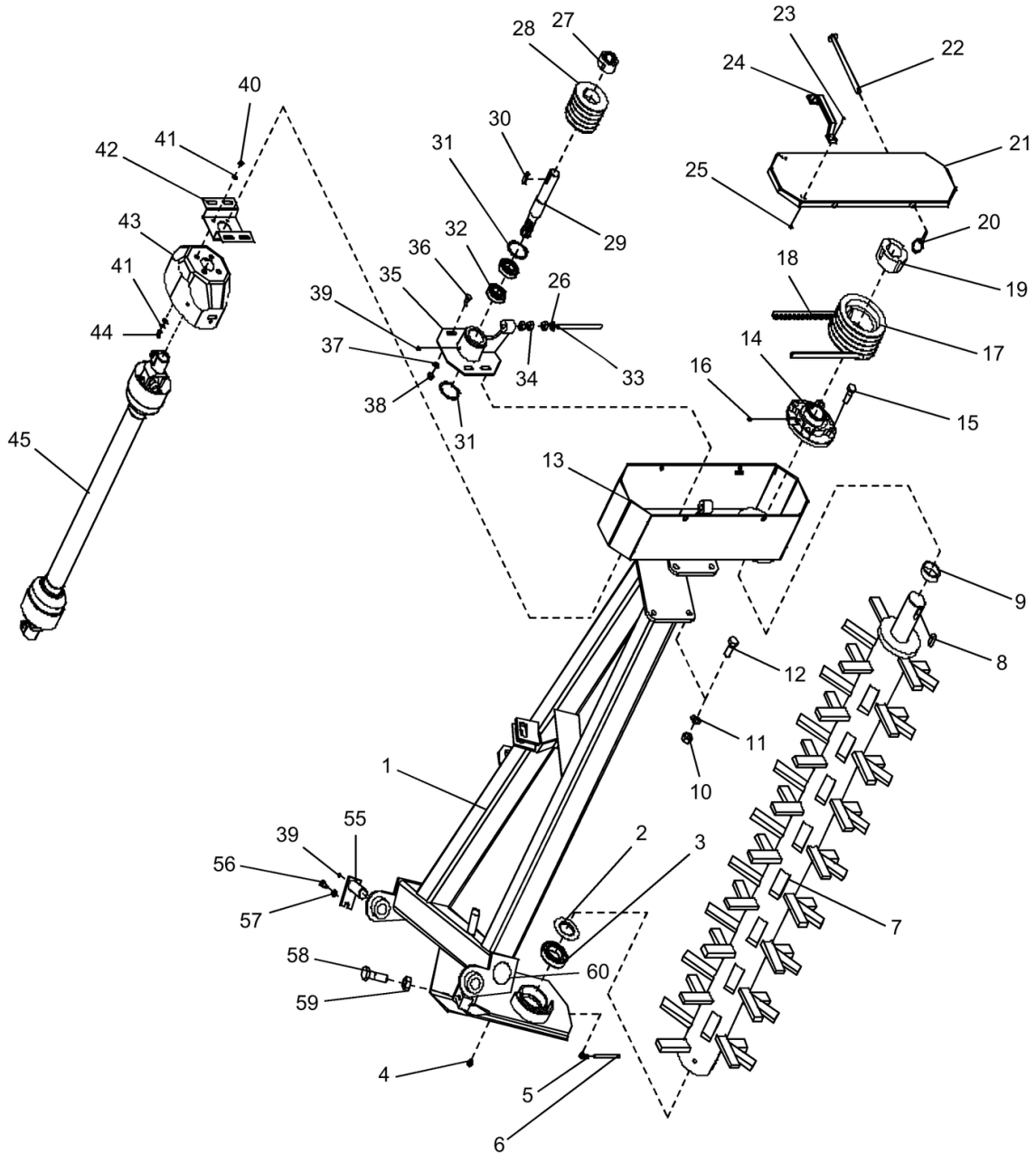
004



004

REF	PN	QTY	DESCRIPTION	USAGE
19	500068842	2	SLEEVE	D60/3020;FOR SB4000 AND SB5200 ONLY
20	500040150	4	PIN	LINCH PIN D9;FOR SB4000 AND SB5200 ONLY
21	500068221	2	GUARD	FOR SB4000 AND SB5200 ONLY
22	500068240	4	LOCK PIN	FOR SB4000 AND SB5200 ONLY
23	500030528	8	SCREW	M5X16 DIN 965;FOR SB4000 AND SB5200 ONLY
24	500013239	2	GUARD	FOR SB4000 AND SB5200 ONLY
25	500063964	8	NUT	LOCK NUT M5;FOR SB4000 AND SB5200 ONLY
26	500030887	2	WASHER	WASHER M16;FOR SB4000 AND SB5200 ONLY
27	500068874	2	SLEEVE	D35/2012;FOR SB4000 AND SB5200 ONLY
28	500068868	2	PULLEY	SPB DM=125-5/2012;FOR SB4000 AND SB5200 ONLY
29	500068205	2	FRAME	FOR SB4000 AND SB5200 ONLY
30	300323107	2	KEY	KEY 10*8-36 DIN 6885 A;FOR SB4000 AND SB5200 ONLY
31	500086140	4	CIRCLIP	J72;FOR SB4000 AND SB5200 ONLY
32	500031184	4	BALL BEARING	6207 RS;FOR SB4000 AND SB5200 ONLY
33	500068206	2	BOLT	FOR SB4000 AND SB5200 ONLY
34	500030124	6	NUT	NUT M16;FOR SB4000 AND SB5200 ONLY
35	500068202	2	BEARING HOUSING	FOR SB4000 AND SB5200 ONLY
36	500057229	8	SCREW	LOCK SCREW M12X30;FOR SB4000 AND SB5200 ONLY
37	500010462	8	WASHER	WASHER M12;FOR SB4000 AND SB5200 ONLY
38	500030968	10	NUT	NUT M12;FOR SB4000 AND SB5200 ONLY
39	500010761	6	NIPPLE	LUBRICATION NIPPLE M8X1.25;FOR SB4000 AND SB5200 ONLY
40	500030969	4	NUT	NUT M8;FOR SB4000 AND SB5200 ONLY

004



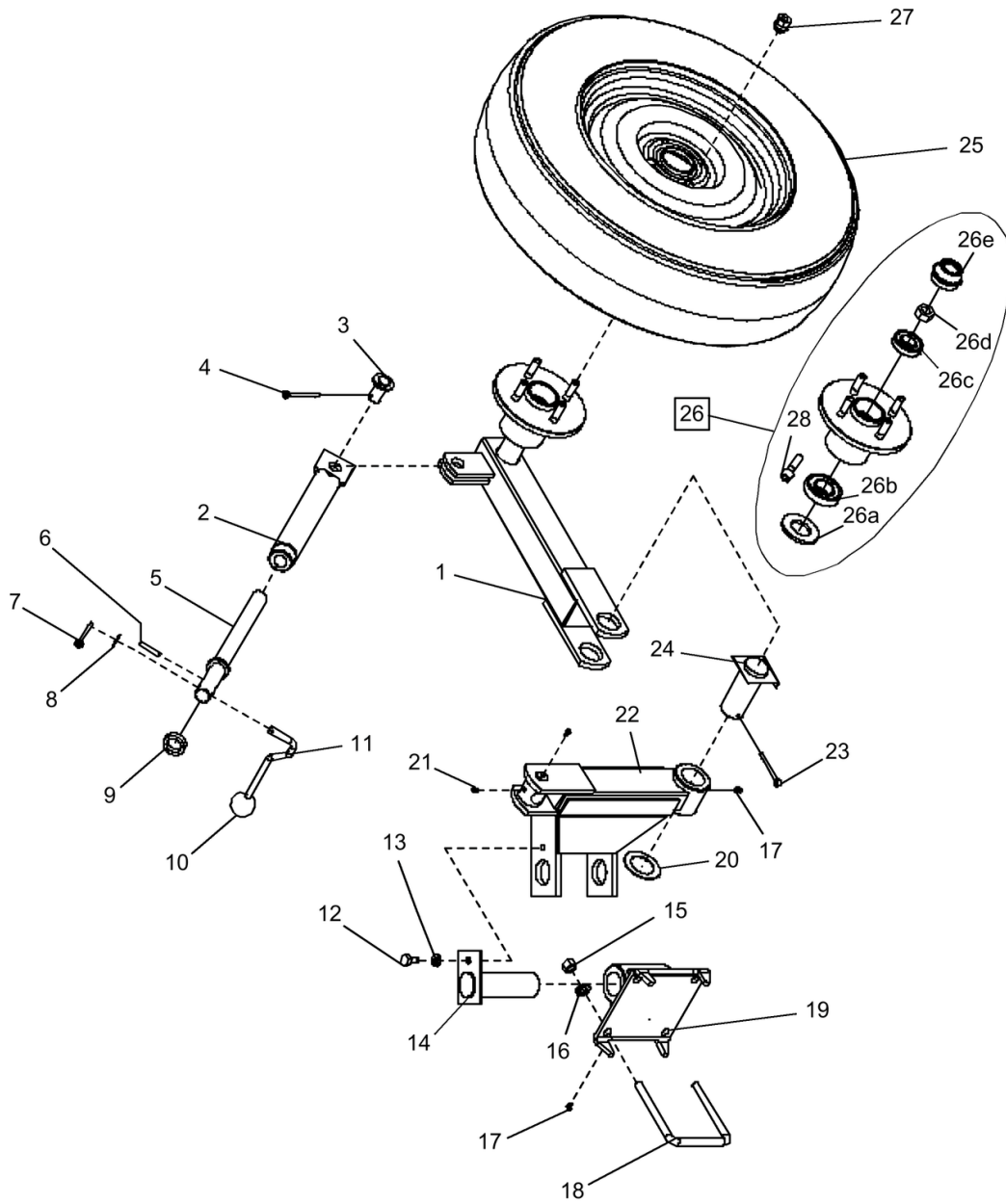
004

REF	PN	QTY	DESCRIPTION	USAGE
41	500035169	8	WASHER	WASHER M8;FOR SB4000 AND SB5200 ONLY
42	500068828	2	COVER	FOR SB4000 AND SB5200 ONLY
43	330044070	2	GUARD	SHAFT GUARD;FOR SB4000 AND SB5200 ONLY
44	500063548	8	BOLT	LOCK SCREW M8X16 DIN 603;FOR SB4000 AND SB5200 ONLY
45	500068810	1	PTO	FOR SB4000 ONLY
45	500068841	1	SHAFT PTO	FOR SB4000 ONLY
45	500068841	1	SHAFT PTO	FOR SB5200 ONLY
45	500068883	1	SHAFT PTO	FOR SB5200 ONLY
55	500068201	2	PIN	FOR SB4000 AND SB5200 ONLY
56	500030951	4	BOLT	HEX HEAD M10X16;FOR SB4000 AND SB5200 ONLY
57	500010607	4	WASHER	WASHER M10;FOR SB4000 AND SB5200 ONLY
58	500066552	2	SCREW	HEX HEAD M24X65;FOR SB4000 AND SB5200 ONLY
59	500057259	2	NUT	NUT M24;FOR SB4000 AND SB5200 ONLY
60	NS	2	NOT SERVICED	FOR SB4000 AND SB5200 ONLY

005

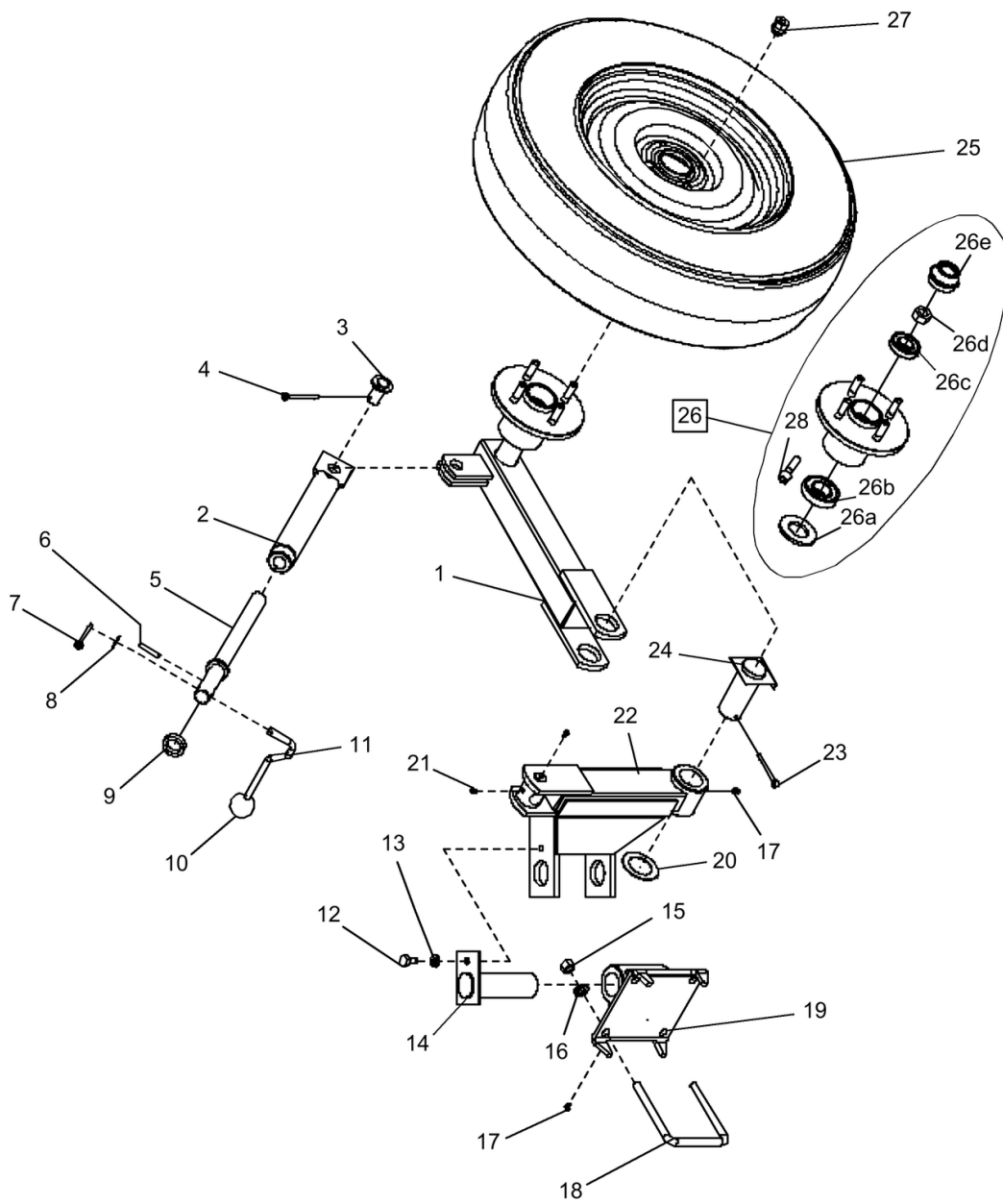
p1

005



005

REF	PN	QTY	DESCRIPTION	USAGE
1	500068235	1	HUB	FOR SB4000 ONLY
1	500068236	1	HUB	FOR SB4000 ONLY
1	500068257	2	SUPPORT	FOR SB5200 ONLY
2	500058223	2	TUBE	FOR SB4000 AND SB5200 ONLY
3	500041109	2	PIN	FOR SB4000 AND SB5200 ONLY
4	500010459	2	COTTER PIN	PIN 5X32 DIN 94;FOR SB4000 AND SB5200 ONLY
5	500068239	2	ADJUSTMENT SCREW	FOR SB4000 AND SB5200 ONLY
6	500031531	2	HYDRAULIC CYLINDER	SPRING PIN D5X36;FOR SB4000 AND SB5200 ONLY
7	500010463	2	COTTER PIN	COTTER PIN 5X32;FOR SB4000 AND SB5200 ONLY
8	500010607	2	WASHER	WASHER M10;FOR SB4000 AND SB5200 ONLY
9	500056642	2	RING	FOR SB4000 AND SB5200 ONLY
10	500020726	2	BALL	M10 DIN 319;FOR SB4000 AND SB5200 ONLY
11	500030558	2	BELLCRANK	FOR SB4000 AND SB5200 ONLY
12	500030951	2	BOLT	HEX HEAD M10X16;FOR SB4000 AND SB5200 ONLY
13	500010153	2	WASHER	SPRING WASHER M10;FOR SB4000 AND SB5200 ONLY
14	500068231	2	AXLE	FOR SB4000 AND SB5200 ONLY
15	500056448	8	LOCK NUT	LOCK NUT M12;FOR SB4000 AND SB5200 ONLY
16	500010462	8	WASHER	WASHER M12;FOR SB4000 AND SB5200 ONLY
17	500010761	4	NIPPLE	LUBRICATION NIPPLE M8X1.25;FOR SB4000 AND SB5200 ONLY
18	500068229	4	U-BOLT	FOR SB4000 AND SB5200 ONLY
19	500068230	2	BRACKET	FOR SB4000 AND SB5200 ONLY
20	500052684	2	WASHER	WASHER 41X63X1.5;FOR SB4000 AND SB5200 ONLY
21	500030263	4	NIPPLE	LUBRICATION NIPPLE M6;FOR SB4000 AND SB5200 ONLY
22	500068233	1	FRAME	FOR SB4000 AND SB5200 ONLY
22	500068232	1	FRAME	FOR SB4000 AND SB5200 ONLY



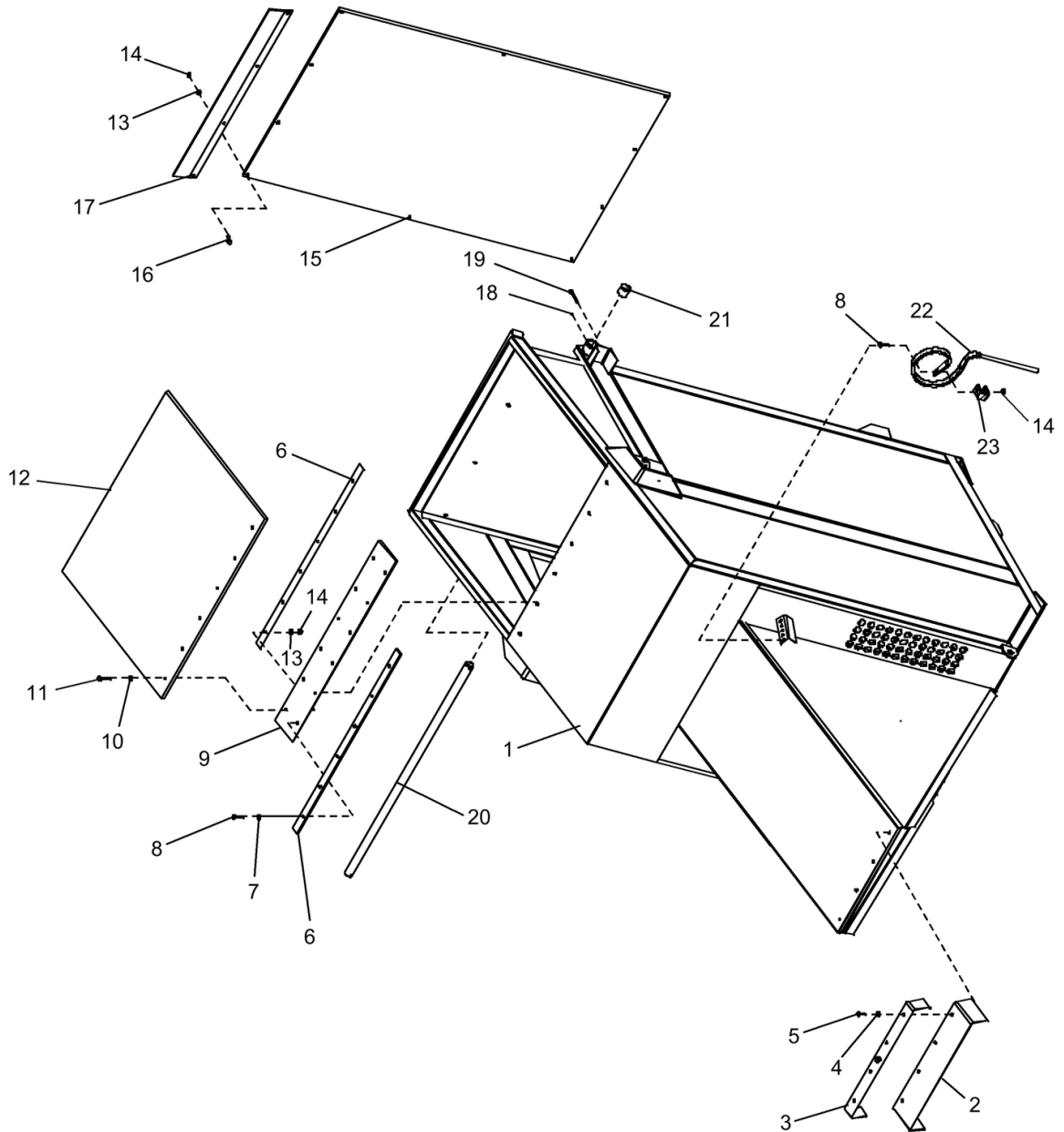
005

REF	PN	QTY	DESCRIPTION	USAGE
23	500068855	2	COTTER PIN	COTTER PIN 8X56;FOR SB4000 AND SB5200 ONLY
24	500068234	2	PIN	FOR SB4000 AND SB5200 ONLY
25	500370429	AR	WHEEL	175/70X14;FOR SB4000 AND SB5200 ONLY
26	500068301	2	BEARING SET	ASSEMBLY;FOR SB4000 AND SB5200 ONLY
26a	500037970	2	SEAL	SEALING KIT;FOR SB4000 AND SB5200 ONLY
26b	500037966	2	SPH ROLLER BEARING	NO:30206;FOR SB4000 AND SB5200 ONLY
26c	500037967	2	SPH ROLLER BEARING	NO:30204;FOR SB4000 AND SB5200 ONLY
26d	500037969	2	NUT	M20X1.5;FOR SB4000 AND SB5200 ONLY
26e	500037968	2	DUST CAP	FOR SB4000 AND SB5200 ONLY
27	500042624	8	WHEEL NUT	M12X1.5;FOR SB4000 AND SB5200 ONLY
28	500068399	8	BOLT	12X1.5X40 10.9;FOR SB4000 AND SB5200 ONLY

006

p1

006



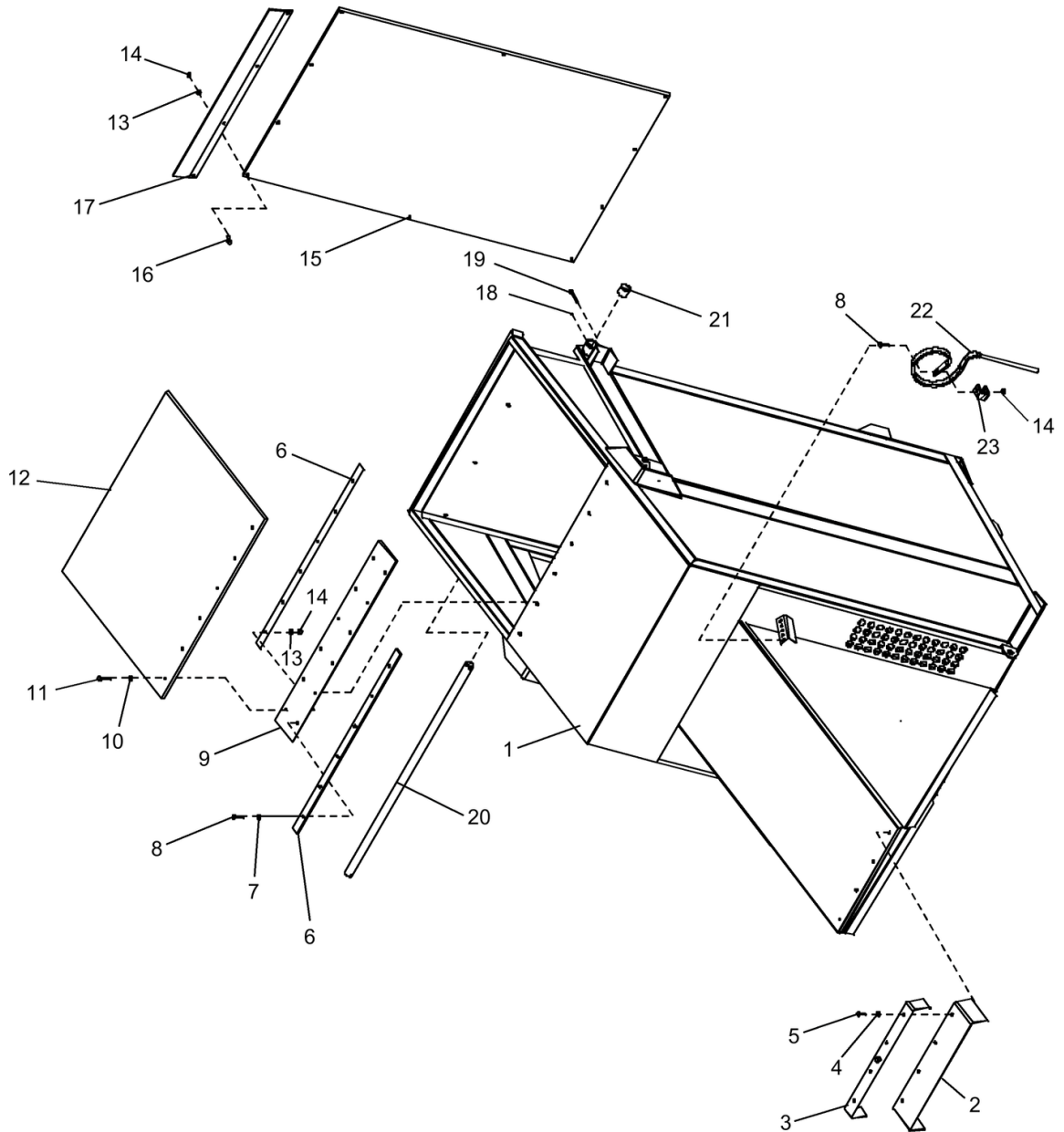
006

REF	PN	QTY	DESCRIPTION	USAGE
1	500068720	1	RESERVOIR	FOR SB4000 AND SB5200 ONLY
2	500068708	1	PLATE	FOR SB4000 AND SB5200 ONLY
3	500068709	1	RETAINER	FOR SB4000 AND SB5200 ONLY
4	500010607	4	WASHER	WASHER M10;FOR SB4000 AND SB5200 ONLY
5	500030958	4	SCREW	HEX HEAD M10X25;FOR SB4000 AND SB5200 ONLY
6	500068713	2	PLATE	FOR SB4000 AND SB5200 ONLY
7	500010634	6	LOCK WASHER	SPRING WASHER M12;FOR SB4000 AND SB5200 ONLY
8	500030522	14	SCREW	HEX HEAD M12X35;FOR SB4000 AND SB5200 ONLY
9	500068707	1	PLATE	RUBBER PLATE;FOR SB4000 AND SB5200 ONLY
10	500035554	6	WASHER	WASHER D12.5X35X3;FOR SB4000 AND SB5200 ONLY
11	500057233	6	BOLT	HEX HEAD M12X60;FOR SB4000 AND SB5200 ONLY
12	500068706	1	PLATE	COVERING PLATE,PLYWOOD;FOR SB4000 AND SB5200 ONLY
13	500010462	14	WASHER	WASHER M12;FOR SB4000 AND SB5200 ONLY
14	500056448	14	LOCK NUT	LOCK NUT M12;FOR SB4000 AND SB5200 ONLY
15	500068728	1	DISC	BOTTOM PLATE,RUBBER;FOR SB4000 AND SB5200 ONLY
16	500057543	12	SCREW	LOCK SCREW M12X40 DIN603;FOR SB4000 AND SB5200 ONLY
17	500068729	2	DISC	FOR SB4000 AND SB5200 ONLY
18	500030263	2	NIPPLE	LUBRICATION NIPPLE M6;FOR SB4000 AND SB5200 ONLY
19	500050123	4	PIN	COTTER PIN D10X63;FOR SB4000 AND SB5200 ONLY
20	500068721	1	SHAFT	FOR SB4000 AND SB5200 ONLY
21	500068722	2	SPH ROLLER BEARING	45/50X40 PDE;FOR SB4000 AND SB5200 ONLY
22	500068401	5	TINE	KONGSKILDE NR. 101000831;FOR SB4000 AND SB5200 ONLY

006

p2

006



006

p2

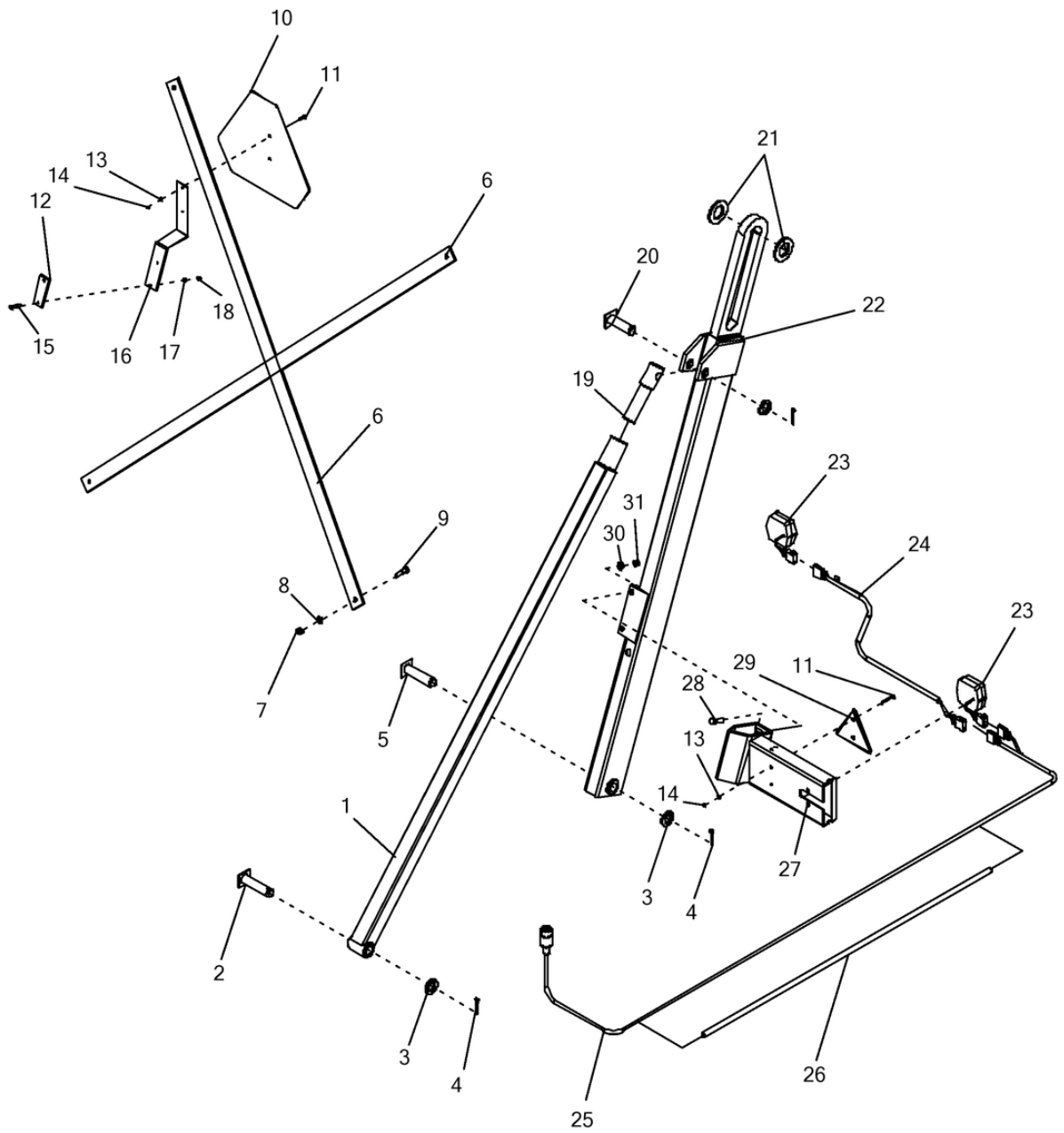
006

REF	PN	QTY	DESCRIPTION	USAGE
23	500068403	5	CLAMP BRACKET	FOR SB4000 AND SB5200 ONLY

007

p1

007



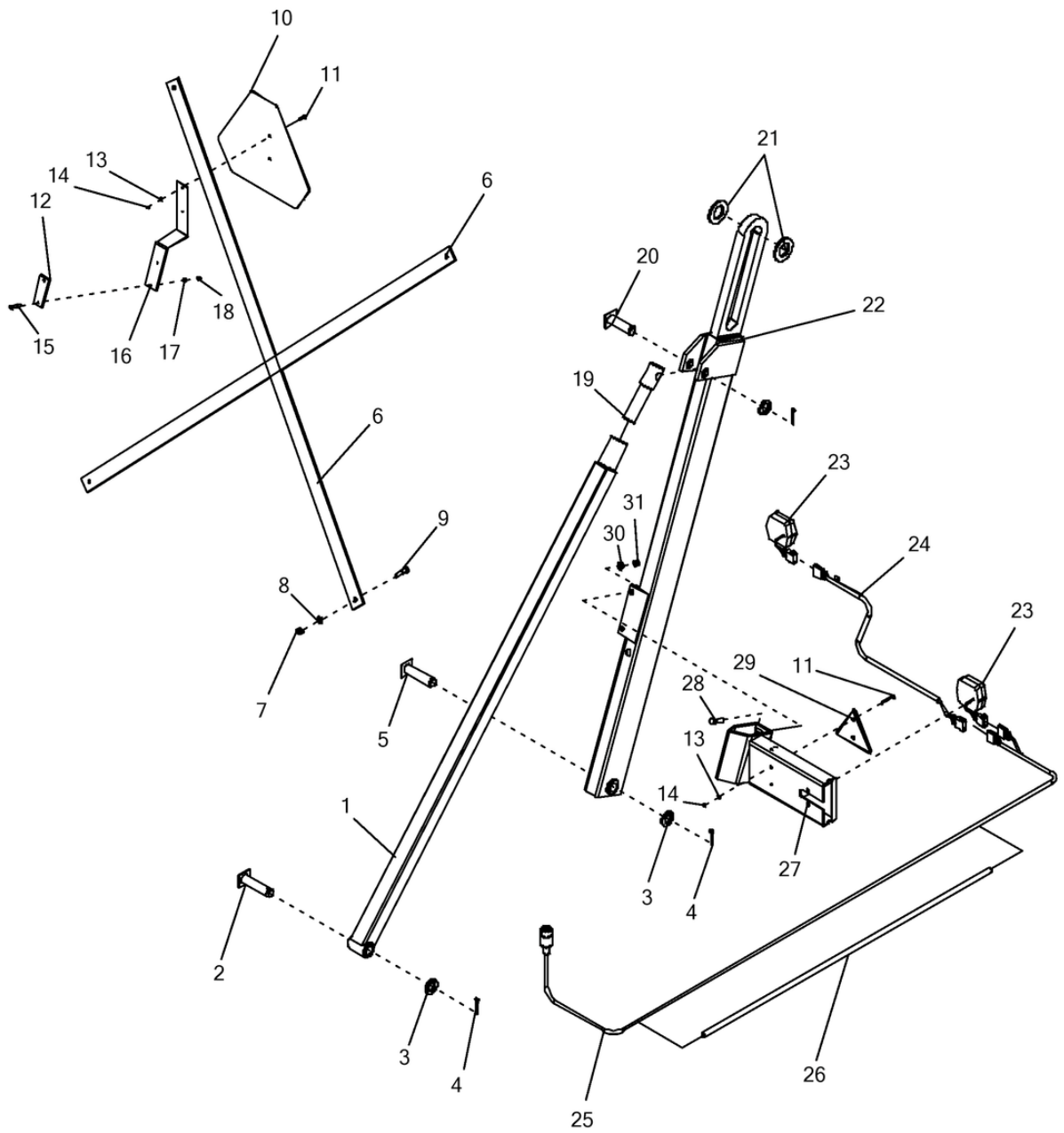
007

p1

007

REF	PN	QTY	DESCRIPTION	USAGE
1	500068703	1	DRAWBAR	FOR SB4000 AND SB5200 ONLY
1	500068714	1	BAR	FOR SB4000 AND SB5200 ONLY
2	500090251	2	AXLE	FOR SB4000 AND SB5200 ONLY
3	500030930	6	WASHER	WASHER M30 DIN 125;FOR SB4000 AND SB5200 ONLY
4	500057241	4	PIN	COTTERPIN D6.3X45;FOR SB4000 AND SB5200 ONLY
5	500090251	2	AXLE	FOR SB4000 AND SB5200 ONLY
6	500068704	2	BAR	FOR SB4000 AND SB5200 ONLY
7	500056448	4	LOCK NUT	LOCK NUT M12;FOR SB4000 AND SB5200 ONLY
8	500010462	4	WASHER	WASHER M12;FOR SB4000 AND SB5200 ONLY
9	500030522	4	SCREW	HEX HEAD M12X35;FOR SB4000 AND SB5200 ONLY
10	500090169	1	WARNING TRIANGLE	FOR SB4000 AND SB5200 ONLY
11	500030853	6	BOLT	HEX HEAD M5X16;FOR SB4000 AND SB5200 ONLY
12	500068710	1	PLATE	FOR SB4000 AND SB5200 ONLY
13	500063876	6	WASHER	WASHER M5;FOR SB4000 AND SB5200 ONLY
14	500010395	6	NUT	NUT M5;FOR SB4000 AND SB5200 ONLY
15	500030649	2	BOLT	HEX HEAD M6X45;FOR SB4000 AND SB5200 ONLY
16	500068711	1	BRACKET	FOR SB4000 AND SB5200 ONLY
17	500053503	2	WASHER	WASHER M6;FOR SB4000 AND SB5200 ONLY
18	500030262	2	NUT	NUT M6;FOR SB4000 AND SB5200 ONLY
19	500089212	1	BOLT	FOR SB4000 AND SB5200 ONLY
20	500087253	2	PIN , 30mm OD, 90mm Eff Length, Washer Head	FOR SB4000 AND SB5200 ONLY
21	500090201	4	WASHER	WASHER D46X80X6;FOR SB4000 AND SB5200 ONLY
22	500068724	1	ARM	FOR SB4000 AND SB5200 ONLY
22	500068725	1	ARM	FOR SB4000 AND SB5200 ONLY
23	500041312	1	LAMP	FOR SB4000 AND SB5200 ONLY

007



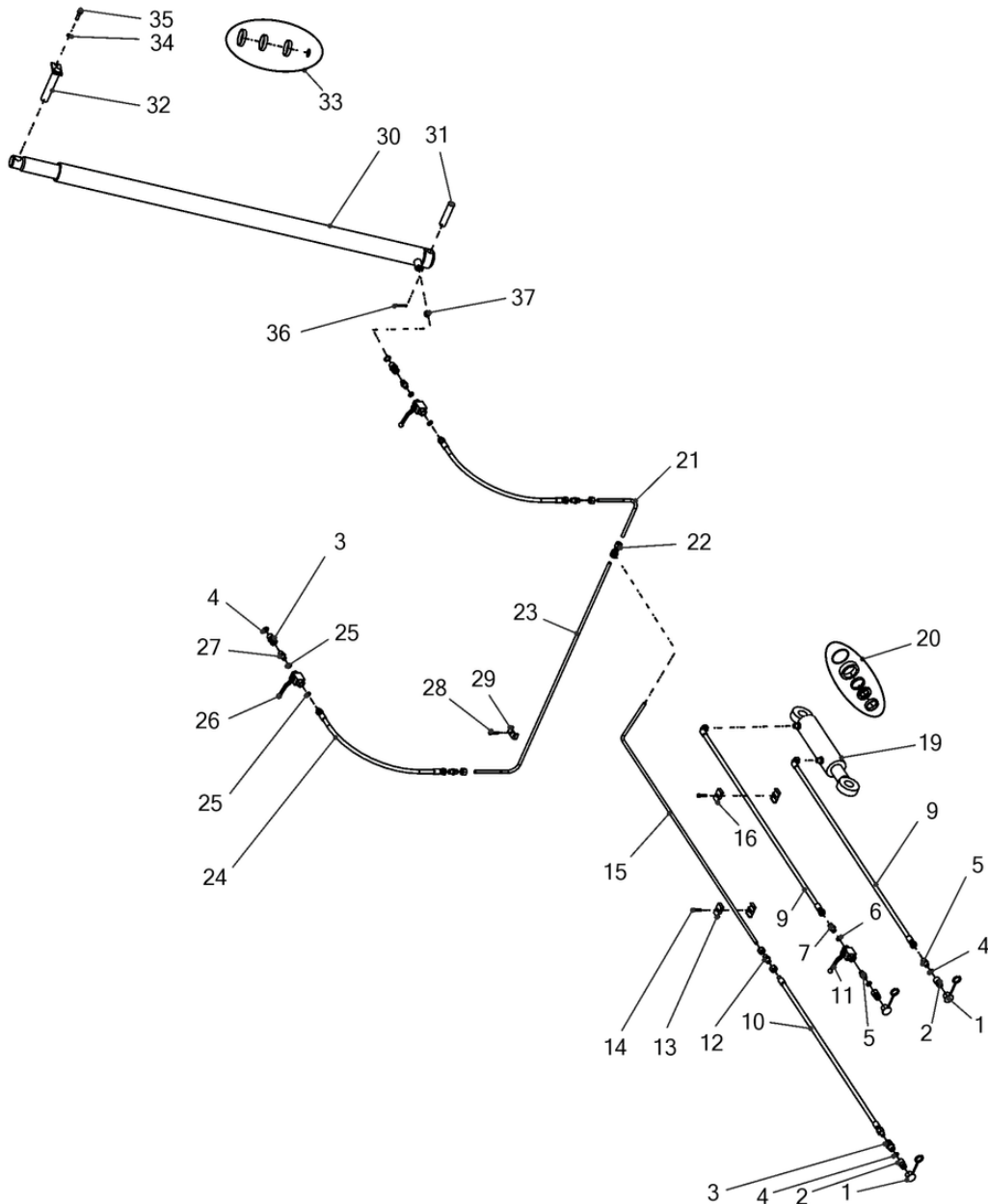
007

p2

007

REF	PN	QTY	DESCRIPTION	USAGE
24	500041367	1	ELECTRIC CABLE	FOR SB4000 AND SB5200 ONLY
25	500068144	1	WIRE	L = 8400mm;FOR SB4000 AND SB5200 ONLY
26	500008091	1	PIPE	FOR SB4000 AND SB5200 ONLY
27	500068726	1	DRIVE	FOR SB4000 AND SB5200 ONLY
27	500068727	1	REVERSE LAMP	FOR SB4000 AND SB5200 ONLY
28	500030522	4	SCREW	HEX HEAD M12X35;FOR SB4000 AND SB5200 ONLY
29	500053263	2	WARNING DECAL	FOR SB4000 AND SB5200 ONLY

008



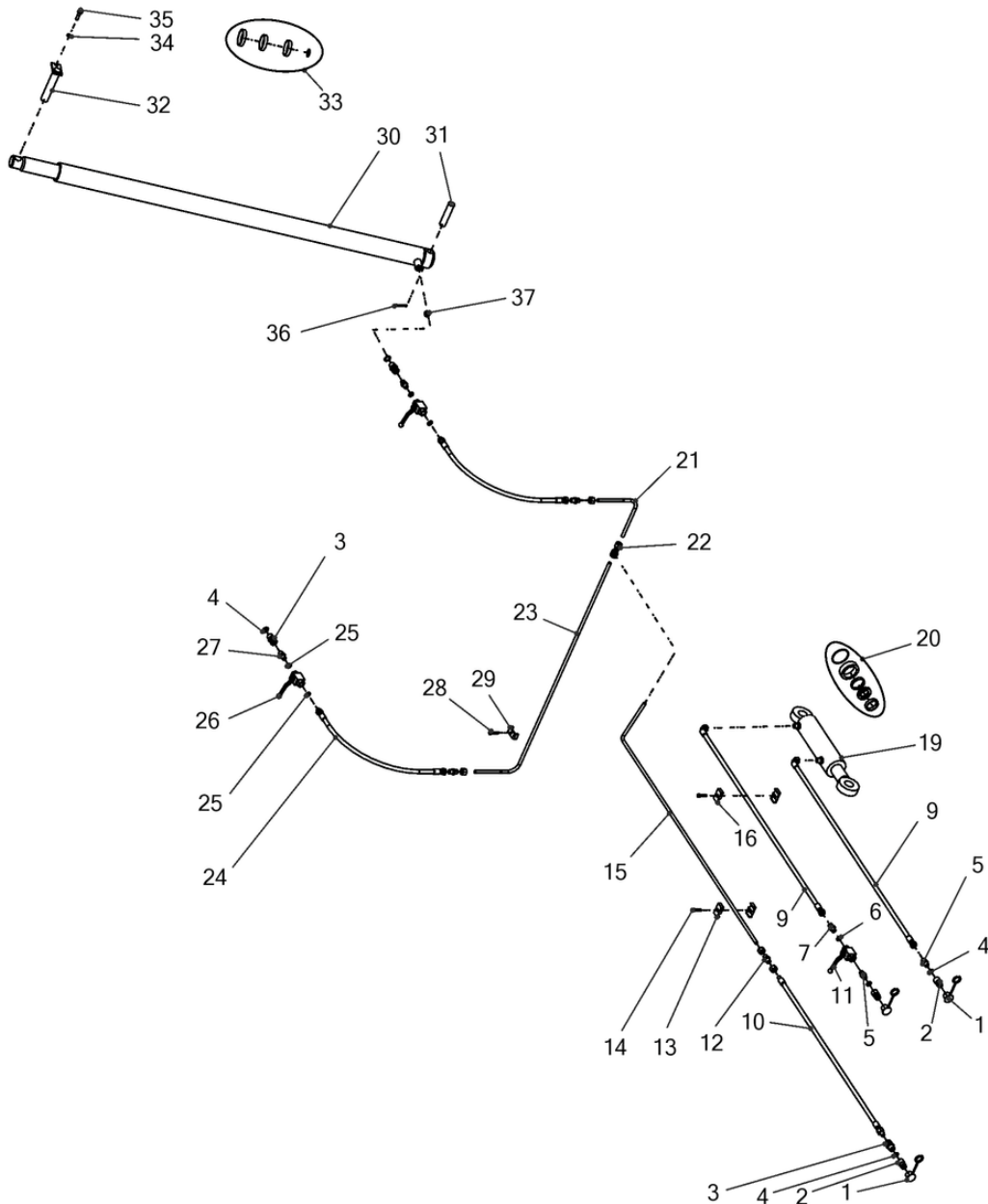
008

p1

008

REF	PN	QTY	DESCRIPTION	USAGE
1	500058656	3	ELEC CONNECTOR	FOR SB4000 AND SB5200 ONLY
2	500030844	3	COUPLING	RAPID CONNECTOR 1/2";FOR SB4000 AND SB5200 ONLY
3	500041836	3	FITTING	R1/2-3/8";FOR SB4000 AND SB5200 ONLY
4	500052361	5	O-RING	USIT 1/2";FOR SB4000 AND SB5200 ONLY
5	500090812	2	FITTING	1/2-1/4";FOR SB4000 AND SB5200 ONLY
6	500087830	2	SEAL	USIT 1/4";FOR SB4000 AND SB5200 ONLY
7	500090820	2	FITTING	1/4-1/4";FOR SB4000 AND SB5200 ONLY
9	500058686	2	HYDRAULIC HOSE	1/4"- 3250;FOR SB4000 AND SB5200 ONLY
10	500068516	1	HOSE	3/8"- 3730;FOR SB4000 AND SB5200 ONLY
11	500087819	1	VALVE	BALL VALVE 1/4";FOR SB4000 AND SB5200 ONLY
12	500158828	1	COUPLING	EL 12;FOR SB4000 AND SB5200 ONLY
13	500058668	5	HOSE CLAMP	DOUBLE FASTENER D15;FOR SB4000 AND SB5200 ONLY
14	500089559	10	SCREW	HEXHEAD M8X35;FOR SB4000 AND SB5200 ONLY
15	500068514	1	TUBE	FOR SB4000 AND SB5200 ONLY
16	500031594	5	CLAMP	DOUBLE FASTENER D12;FOR SB4000 AND SB5200 ONLY
19	500680513	1	HYDRAULIC CYLINDER	FOR SB4000 AND SB5200 ONLY
20	500680515	1	SEAL KIT	SEALING KIT;FOR SB4000 AND SB5200 ONLY
21	500068502	1	HOSE	FOR SB4000 AND SB5200 ONLY
22	7210000105	1	COUPLING	FOR SB4000 AND SB5200 ONLY
23	500068501	1	PIPE	FOR SB4000 AND SB5200 ONLY
23	51529365	1	POSITION LAMP	LH
23	51529369	1	TURN/SMV LAMP	LH
23	51529361	1	POSITION LAMP	RH
23	51529368	1	TURN/SMV LAMP	RH

008



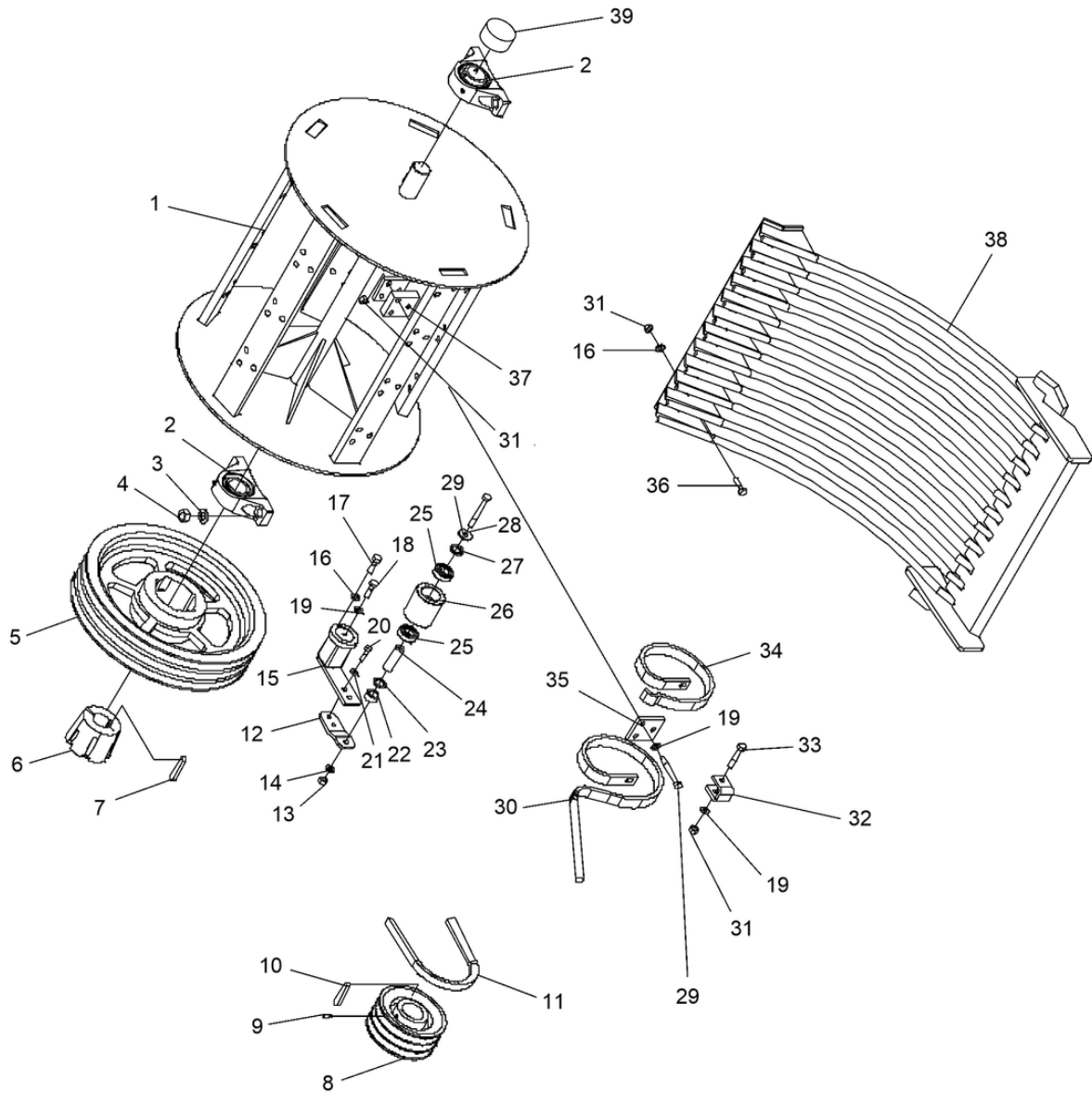
008

p2

008

REF	PN	QTY	DESCRIPTION	USAGE
24	500068853	2	FITTING	3/8"- 460;FOR SB4000 AND SB5200 ONLY
24	330290098	2	WIRE HARNESS	
25	500061801	2	O-RING	USIT 3/8";FOR SB4000 AND SB5200 ONLY
25	330290099	2	WIRE HARNESS	
26	500257617	2	BALL	BALL VALVE 3/8";FOR SB4000 AND SB5200 ONLY
27	500095832	2	NIPPLE	3/8-3/8";FOR SB4000 AND SB5200 ONLY
27	330290103	2	LIGHT ASSY.	LH
27	330290105	2	LIGHT ASSY.	RH
27	330290113	2	LIGHT ASSY.	LH for wheeled
27	330290114	2	LIGHT ASSY.	RH for wheeled
28	500030985	2	SCREW	HEX HEAD M8X25;FOR SB4000 AND SB5200 ONLY
29	500057623	2	CLAMP	FOR SB4000 AND SB5200 ONLY
30	500680505	2	HYDRAULIC CYLINDER	HYDRAULIC CYLINDER ASSEMBLY;FOR SB4000 AND SB5200 ONLY
31	500068139	2	PIN	FOR SB4000 AND SB5200 ONLY
32	500068723	2	PIN	FOR SB4000 AND SB5200 ONLY
33	500680506	2	SEAL KIT	SEALING KIT;FOR SB4000 AND SB5200 ONLY
34	500010153	2	WASHER	SPRING WASHER M10;FOR SB4000 AND SB5200 ONLY
35	500040702	2	SCREW	HEX HEAD M10X20;FOR SB4000 AND SB5200 ONLY
36	500057241	2	PIN	COTTER PIN D6.3X45;FOR SB4000 AND SB5200 ONLY
37	500086809	2	VALVE	SAFETY VALVE;FOR SB4000 AND SB5200 ONLY

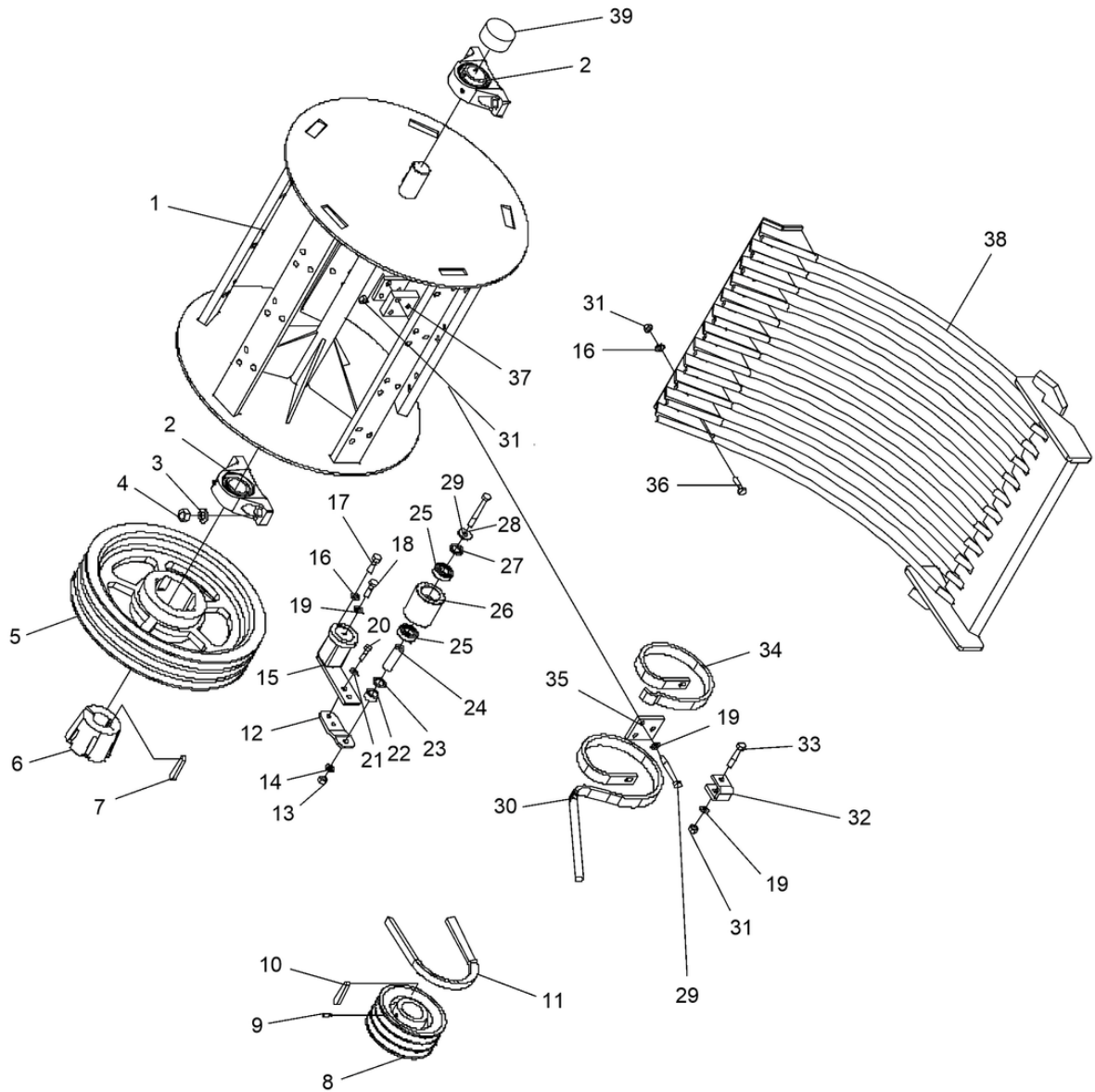
009



009

REF	PN	QTY	DESCRIPTION	USAGE
1	500068409	1	ROTOR	FOR SB4000 ONLY
1	500068410	1	DRUM	FOR SB5200 ONLY
2	500263162	2	SPH ROLLER BEARING	SY 50 TF;FOR SB4000 AND SB5200 ONLY
3	500053942	4	TRAY	WASHER M20;FOR SB4000 AND SB5200 ONLY
4	500053463	4	LOCK NUT	LOCK NUT M20;FOR SB4000 AND SB5200 ONLY
5	500068867	1	PULLEY	SPC500-3/3535;FOR SB4000 AND SB5200 ONLY
6	500068806	1	SLEEVE	D50 3535/50;FOR SB4000 AND SB5200 ONLY
7	500068265	1	KEY	KEY 14X9-48 DIN 6885 B;FOR SB4000 AND SB5200 ONLY
8	500068866	1	PULLEY	SPC180-3;FOR SB4000 AND SB5200 ONLY
9	500013557	1	SCREW	M8X20 DIN 916;FOR SB4000 AND SB5200 ONLY
10	500068885	1	KEY	KEY 12X8-45;FOR SB4000 AND SB5200 ONLY
11	500068817	AR	BELT	SPC3150;FOR SB4000 AND SB5200 ONLY
12	500068876	1	BRACKET	FOR SB4000 AND SB5200 ONLY
13	500030968	1	NUT	NUT M12;FOR SB4000 AND SB5200 ONLY
14	500010634	1	LOCK WASHER	SPRING WASHER M12;FOR SB4000 AND SB5200 ONLY
15	500068818	1	BELT TENSIONER	FOR SB4000 AND SB5200 ONLY
16	500010607	1	WASHER	WASHER M10;FOR SB4000 AND SB5200 ONLY
17	500020561	1	SCREW	HEX HEAD M10X40;FOR SB4000 AND SB5200 ONLY
18	500030952	1	HEX SOC SCREW	HEX HEAD M12X30;FOR SB4000 AND SB5200 ONLY
19	500010462	59	WASHER	WASHER M12;FOR SB4000 AND SB5200 ONLY
20	500040702	2	SCREW	HEX HEAD M10X20;FOR SB4000 AND SB5200 ONLY

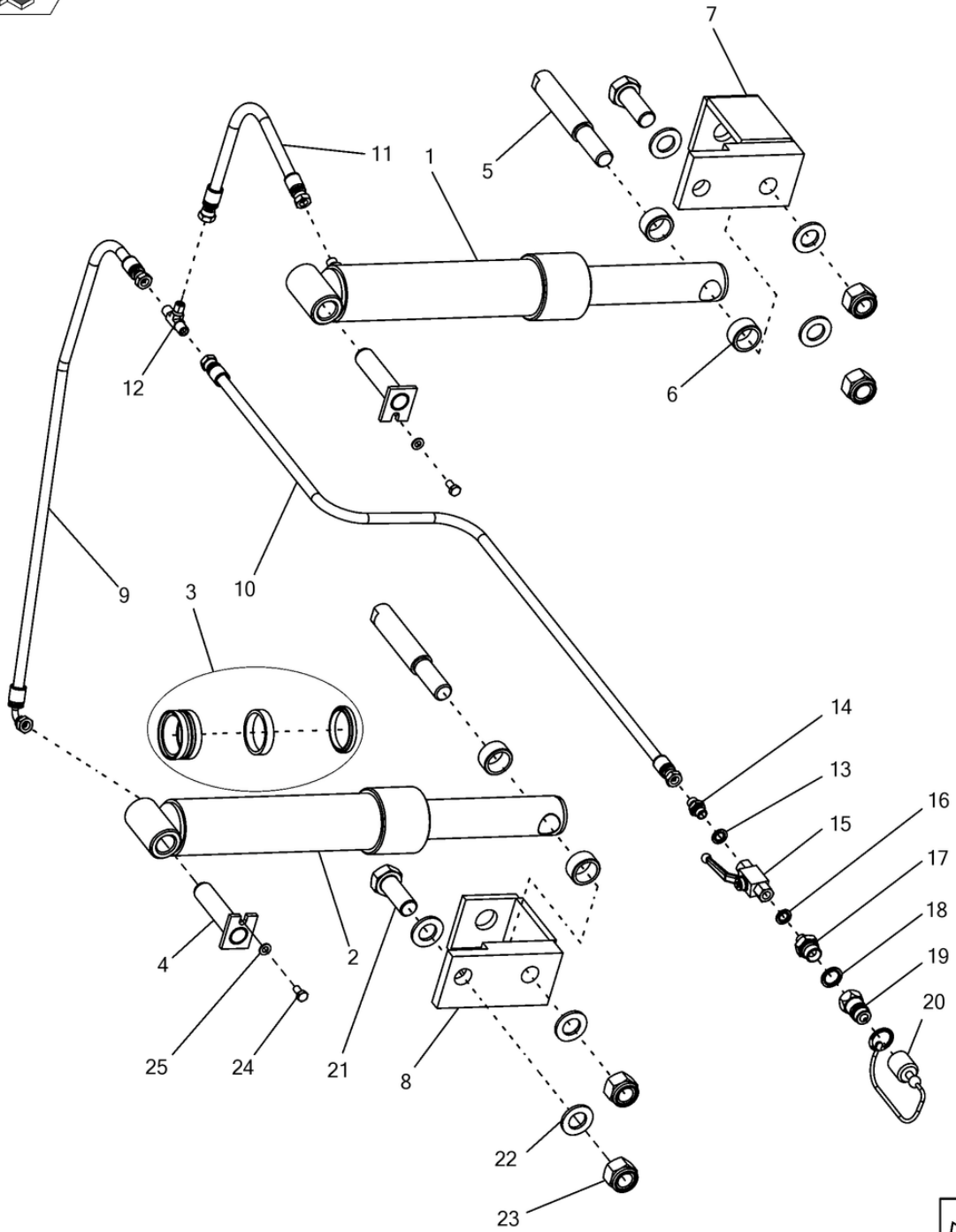
009



009

REF	PN	QTY	DESCRIPTION	USAGE
21	500010153	2	WASHER	SPRING WASHER M10;FOR SB4000 AND SB5200 ONLY
22	500189501	1	SPACER	FOR SB4000 AND SB5200 ONLY
23	500056625	1	WASHER	WASHER 25.5X35X2;FOR SB4000 AND SB5200 ONLY
24	500068834	1	AXLE	FOR SB4000 AND SB5200 ONLY
25	500055175	2	SPACER	6205-2RS;FOR SB4000 AND SB5200 ONLY
26	500068833	1	TIGHTENER	FOR SB4000 AND SB5200 ONLY
27	500025110	1	WASHER	WASHER 26X36X4;FOR SB4000 AND SB5200 ONLY
28	500035554	1	WASHER	WASHER M12 DIN 9021;FOR SB4000 AND SB5200 ONLY
29	500035244	1	HEX SOC SCREW	M12X100, 10.9 DIN931;FOR SB4000 AND SB5200 ONLY
30	101000831	AR	TINE	FOR SB4000 AND SB5200 ONLY
31	500056448	AR	LOCK NUT	LOCK NUT M12;FOR SB4000 AND SB5200 ONLY
32	500068403	AR	CLAMP BRACKET	FOR SB4000 AND SB5200 ONLY
33	500068407	AR	BOLT	HEX HEAD M12X70 10.9;FOR SB4000 AND SB5200 ONLY
34	500068402	AR	SPRING	FOR SB4000 AND SB5200 ONLY
35	500068405	AR	CLAMP	FOR SB4000 AND SB5200 ONLY
36	500030522	4	SCREW	HEX HEAD M12X35;FOR SB4000 AND SB5200 ONLY
37	500068404	AR	PLATE	FOR SB4000 AND SB5200 ONLY
38	500068615	1	DIA KIT, HARVESTER	35MM OPTION;FOR SB4000 AND SB5200 ONLY
38	500068616	1	DIA KIT, HARVESTER	40MM OPTION;FOR SB4000 AND SB5200 ONLY
38	500068617	1	DIA KIT, HARVESTER	50MM OPTION;FOR SB4000 AND SB5200 ONLY
38	500068618	1	DIA KIT, HARVESTER	70MM OPTION;FOR SB4000 AND SB5200 ONLY
38	500068621	1	DIA KIT, HARVESTER	28MM OPTION;FOR SB4000 AND SB5200 ONLY
39	300413063	1	COVER	Cover for Bearing

010



010

p1

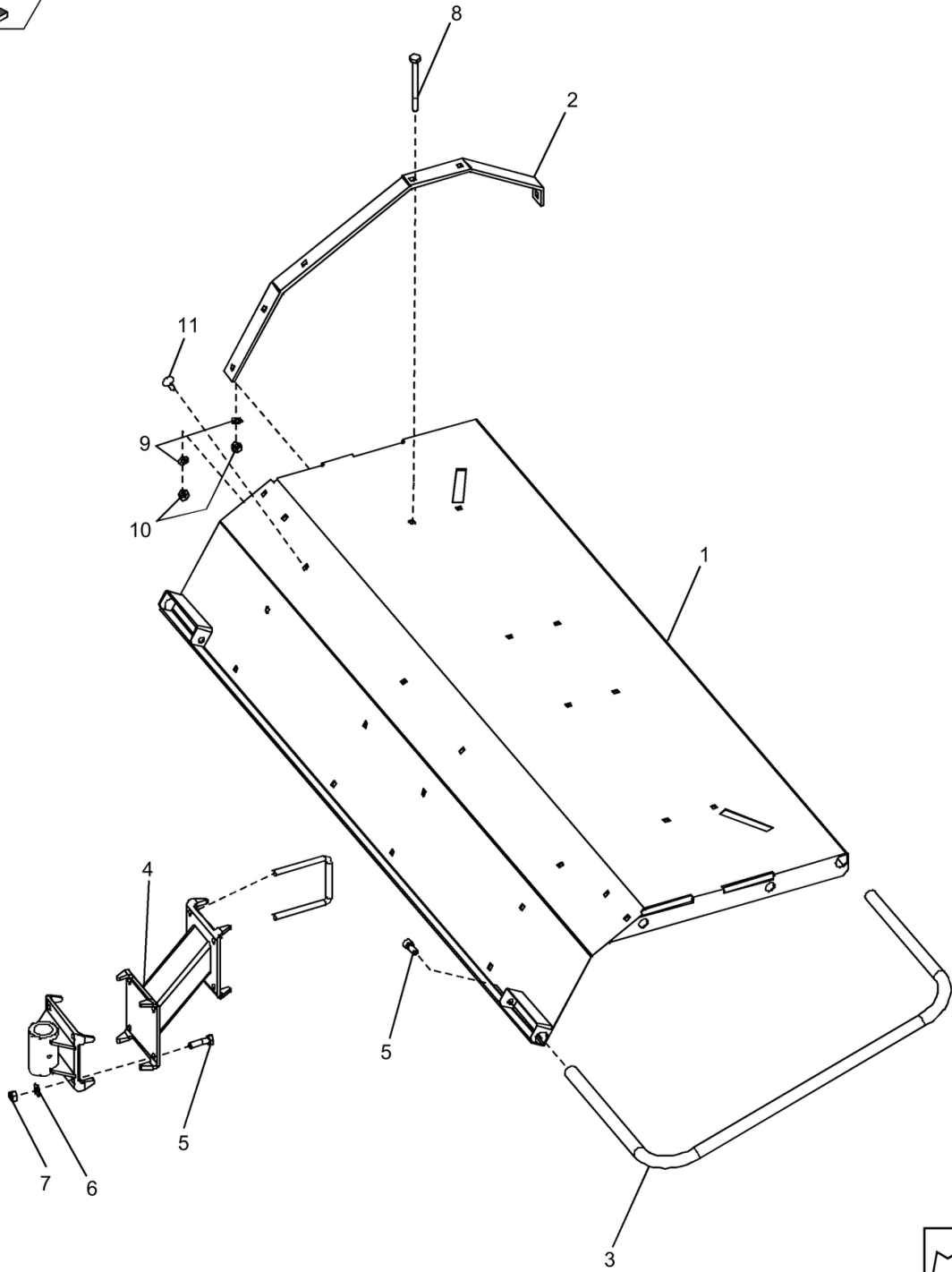
010

REF	PN	QTY	DESCRIPTION	USAGE
1	500680380	1	FRAME	FOR SB4000 AND SB5200 ONLY
2	500680379	1	FRAME	FOR SB4000 AND SB5200 ONLY
3	500680381	2	SEAL	SEALING KIT;FOR SB4000 AND SB5200 ONLY
4	500068382	2	PIN	FOR SB4000 AND SB5200 ONLY
5	500068385	2	PIN	FOR SB4000 AND SB5200 ONLY
6	500057258	4	BUSHING	FOR SB4000 AND SB5200 ONLY
7	500068384	1	BRACKET	FOR SB4000 AND SB5200 ONLY
8	NSS	1	NOT SOLD SEPARAT	
9	500068397	1	LIFT CYLINDER	L=2700 MM;FOR SB4000 AND SB5200 ONLY
10	500089840	1	HOSE	L=4530 MM;FOR SB4000 AND SB5200 ONLY
11	330190110	1	HYDRAULIC HOSE	Hydraulic hose G1/4"- 0/G1/4"-90 L550
12	500058665	1	NIPPLE	FOR SB4000 AND SB5200 ONLY
13	500087830	1	SEAL	FOR SB4000 AND SB5200 ONLY
14	500090820	1	FITTING	FOR SB4000 AND SB5200 ONLY
15	500087819	1	VALVE	FOR SB4000 AND SB5200 ONLY
16	500087830	1	SEAL	FOR SB4000 AND SB5200 ONLY
17	500090812	1	FITTING	FOR SB4000 AND SB5200 ONLY
18	500052361	1	O-RING	FOR SB4000 AND SB5200 ONLY
19	500030844	1	COUPLING	FOR SB4000 AND SB5200 ONLY
20	500058656	1	ELEC CONNECTOR	FOR SB4000 AND SB5200 ONLY
21	500066552	2	SCREW	M24X65;FOR SB4000 AND SB5200 ONLY
22	500030903	4	WASHER	WASHER M24;FOR SB4000 AND SB5200 ONLY
23	500059593	4	CROWN NUT	LOCK NUT M24;FOR SB4000 AND SB5200 ONLY
24	500057535	2	BOLT	M8X16;FOR SB4000 AND SB5200 ONLY
25	500010350	2	LOCK WASHER	WASHER M8;FOR SB4000 AND SB5200 ONLY

011

p1

011



011

p1

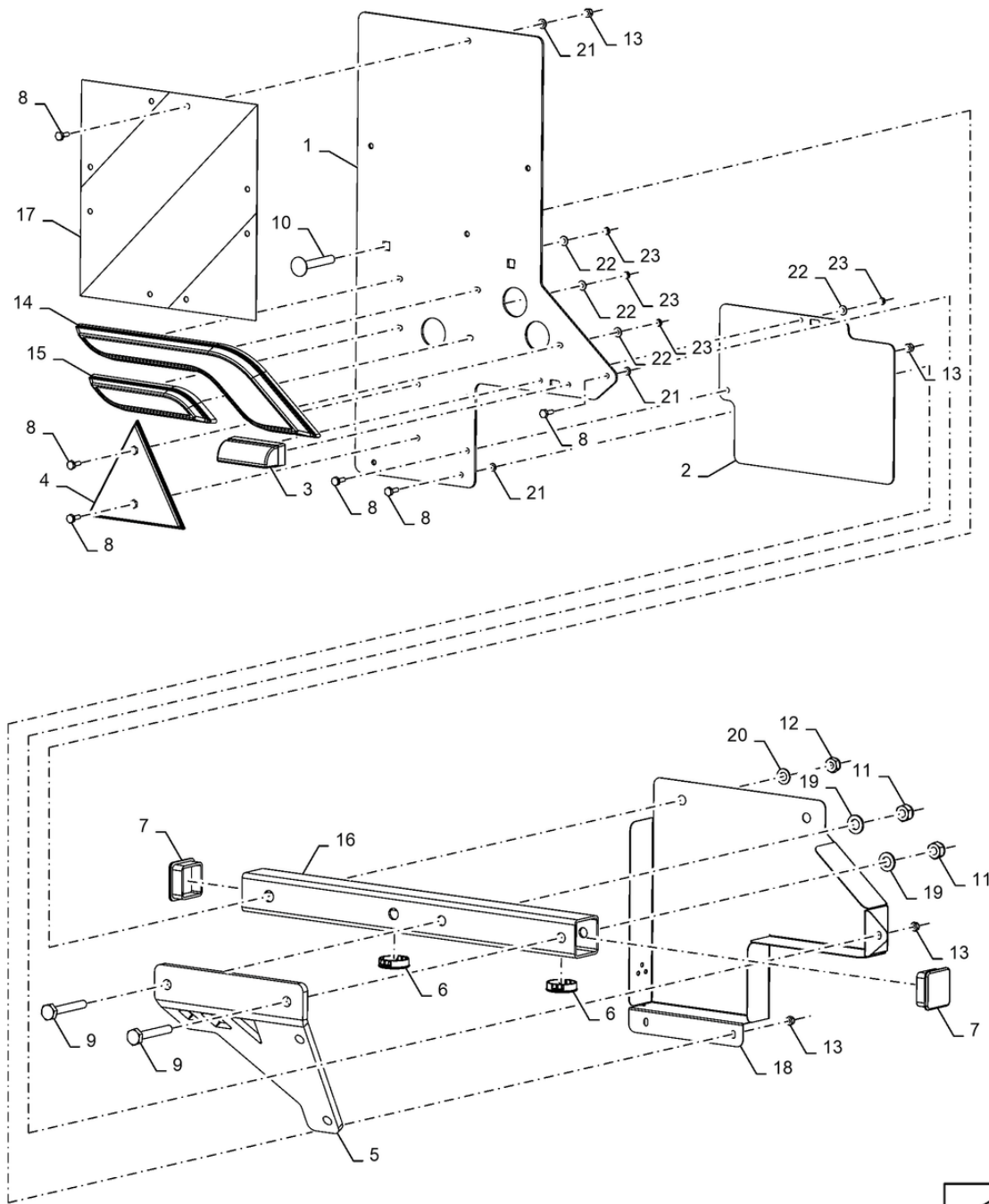
011

REF	PN	QTY	DESCRIPTION	USAGE
1	500068608	1	SUPPORT	FOR SB4000 ONLY
1	500068613	1	DEFLECTOR	FOR SB4000 ONLY
1	500068619	1	DEFLECTOR	FOR SB5200 ONLY
1	500068620	1	DEFLECTOR	FOR SB5200 ONLY
2	500068609	AR	SUPPORT	FOR SB4000 AND SB5200 ONLY
3	500068610	2	BAR	FOR SB4000 AND SB5200 ONLY
4	500068611	2	DEFLECTOR	FOR SB4000 AND SB5200 ONLY
5	500030952	12	HEX SOC SCREW	HEX HEAD M12X30;FOR SB4000 AND SB5200 ONLY
6	500010462	12	WASHER	WASHER M12;FOR SB4000 AND SB5200 ONLY
7	500056448	12	LOCK NUT	LOCK NUT M12;FOR SB4000 AND SB5200 ONLY
8	500013526	AR	BOLT	HEX HEAD M10X120;FOR SB4000 AND SB5200 ONLY
9	500010607	AR	WASHER	WASHER M10;FOR SB4000 AND SB5200 ONLY
10	500057379	AR	NUT	LOCK NUT M10;FOR SB4000 AND SB5200 ONLY
11	500057624	AR	BOLT	LOCK SCREW M10X25;FOR SB4000 AND SB5200 ONLY

013

p1

013; (SN Break) Before KTNKA210E00001337



013

p1

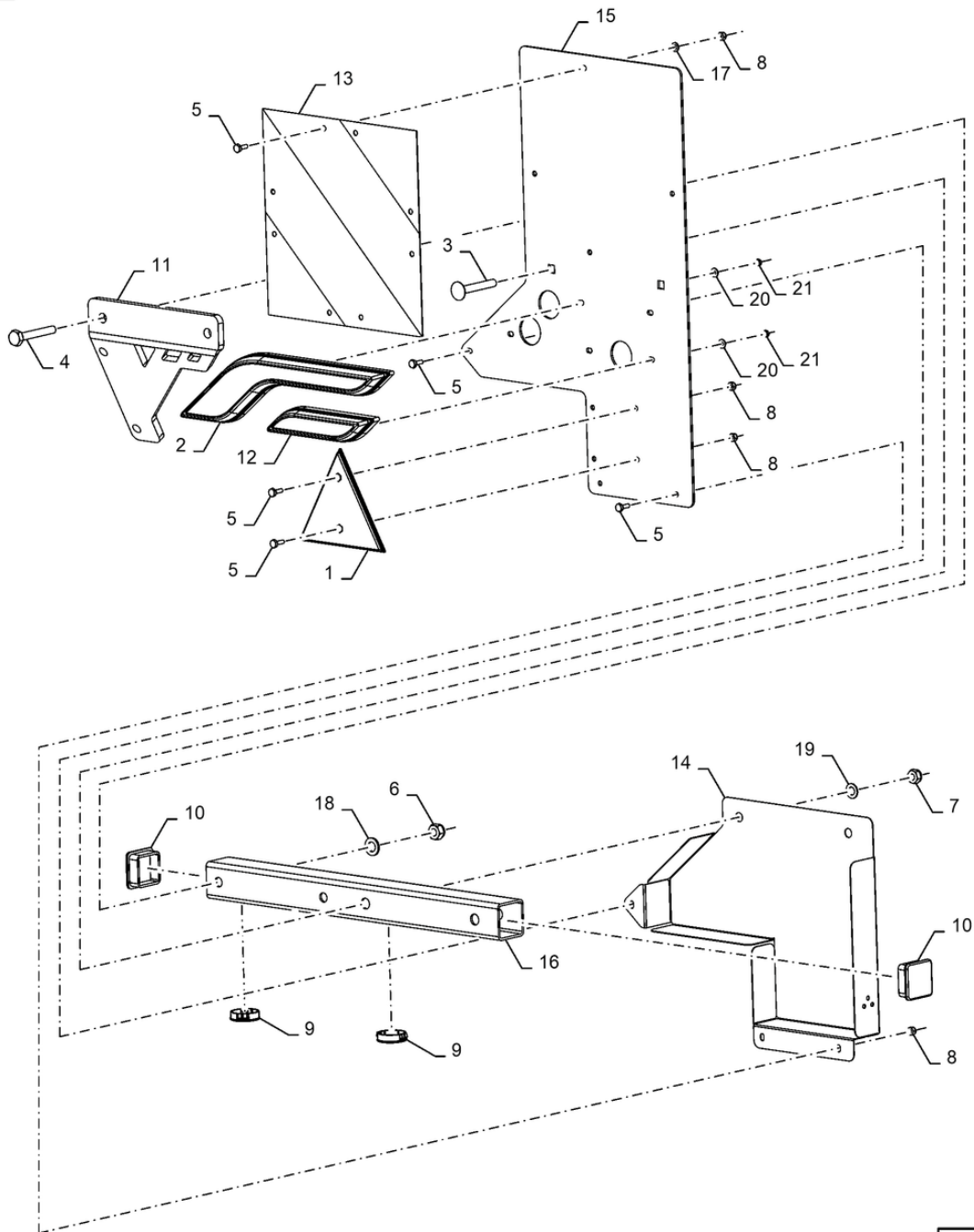
013; (SN Break) Before KTNKA210E00001337

REF	PN	QTY	DESCRIPTION	USAGE
1	330290062	1	PLATE	Sheet metal for light kit fixing
2	330290128	1	SUPPORT	REGISTRATION PLATE SUPPORT (GREY)
3	330290077	1	LAMP	Rear registration plate lamp
4	500053263	1	WARNING DECAL	Triangle reflector
5	330290120	1	HANDLE	light handle sheet left side (painted)
6	303100018	2	RING	Cable pass D=38 1mm
7	300082635	2	PLUG	PLASTIC PLUG 100x100
8	86508568	9	BOLT Hex, M6 x 1 x 16mm, CI 8.8, Full Thd	Sruba M6x16 8.8 FZB DIN933
9	43158	2	BOLT Hex, M12 x 1.75 x 80mm, CI 8.8	Sruba M12x80 DIN931 cl.8.8
10	43476	2	BOLT Regular Sq Nk, M10 x 70mm, CI 8.8	BOLT RDH SQNK M10X70 8.8 ZND
11	300316021	2	LOCK NUT M12 CL 8 FZB DIN985	nut ISO 10511 M12-8-FZB
12	300316029	2	LOCK NUT	NUT ISO 10511 M10x1-8-FZB
13	300316026	9	LOCK NUT M6 DIN985	nut ISO 10511-M6-8-FZB
14	51529365	1	POSITION LAMP	Rear left position light
15	51529369	1	TURN/SMV LAMP	Rear left turn signal
16	330290126	1	BEAM	Profile horizontal light kit dk_grey
17	48064922	1	PLATE	SIGNAL PLATE - decal put on a aluminum sheet
18	330290080	1	COVER	Connectors cover - RH
19	86511324	2	WASHER 13mm ID x 24mm OD x 2.5mm Thk	washer 13x24x2.5mm
20	300332027	2	WASHER M10 FZB DIN126	washer 11x21x2mm
21	86588450	9		washer 6.6x12x1.6mm
22	NS	AR	NOT SERVICED	Washer
23	NS	AR	NOT SERVICED	Nut

014

p1

014; (SN Break) Before KTNKA210E00001337



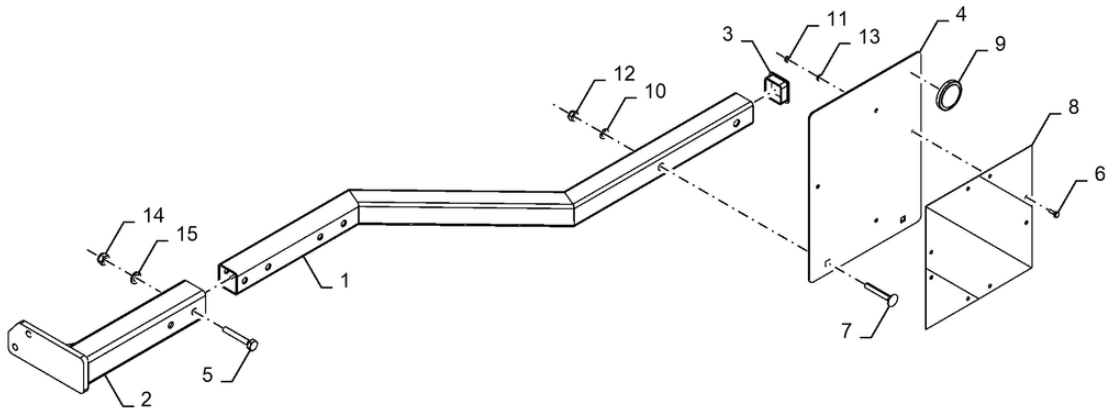
014; (SN Break) Before KTNKA210E00001337

REF	PN	QTY	DESCRIPTION	USAGE
1	500053263	1	WARNING DECAL	Triangle reflector
2	51529361	1	POSITION LAMP	Rear left position light
3	43476	2	BOLT Regular Sq Nk, M10 x 70mm, CI 8.8	BOLT RDH SQNK M10X70 8.8 ZND
4	43158	2	BOLT Hex, M12 x 1.75 x 80mm, CI 8.8	BOLT RDH SQNK M12X80 8.8 ZND
5	300304139	7	BOLT M6x16 cl. 8.8 DIN933	Sruba M6x16 8.8 FZB DIN933
6	300316021	2	LOCK NUT M12 CL 8 FZB DIN985	nut ISO 10511 M12-8-FZB
7	300316029	2	LOCK NUT	NUT ISO 10511 M10x1-8-FZB
8	300316026	7	LOCK NUT M6 DIN985	nut ISO 10511-M6-8-FZB
9	303100018	2	RING	Cable pass D=38 1mm
10	300082635	2	PLUG	PLASTIC PLUG 100x100
11	330290119	1	HANDLE	light handle sheet right side (painted)
12	51529368	1	TURN/SMV LAMP	Turn signal right
13	48064922	1	PLATE	SIGNAL PLATE - decal put on a aluminum sheet
14	330290084	1	COVER	rear lights cover plate
15	330290062	1	PLATE	Sheet metal for light kit fixing
16	330290126	1	BEAM	Profile horizontal light kit
17	86588450	7		washer 6.6x12x1.6mm
18	86511324	2	WASHER 13mm ID x 24mm OD x 2.5mm Thk	washer 13x24x2.5mm
19	300332027	2	WASHER M10 FZB DIN126	washer 11x21x2mm
20	NS	AR	NOT SERVICED	Washer
21	NS	AR	NOT SERVICED	Nut

015

p1

015; (SN Break) Before KTNKA210E00001337



015

p1

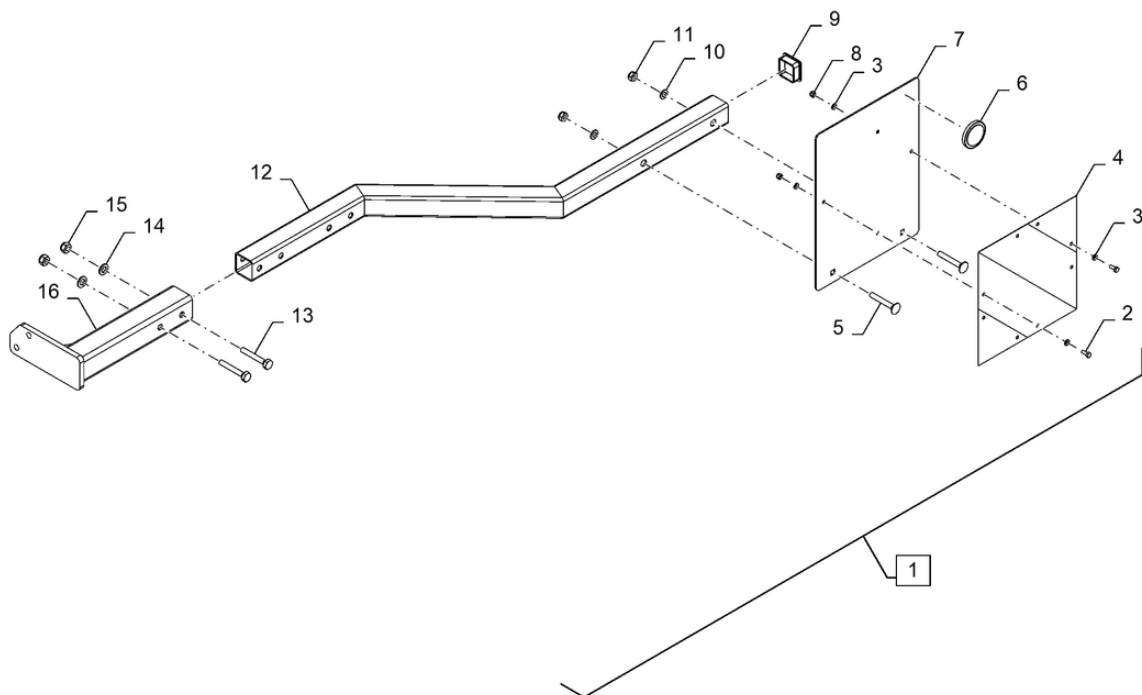
015; (SN Break) Before KTNKA210E00001337

REF	PN	QTY	DESCRIPTION	USAGE
1	330290141	2	BEAM	horizontal front beam assembly
2	330290135	1	HANDLE	FRONT BEAM HANDLE LH DK_grey
2	330290136	1	HANDLE	FRONT BEAM HANDLE RH DK_grey
3	300082635	2	PLUG	PLASTIC PLUG 100x100
4	330290065	2	MOUNT	Front holder for light
5	9706717	4	BOLT Hex, M12 x 1.75 x 70mm, CI 8.8	Sruba M12x70 DIN931 cl.8.8
6	86508568	8	BOLT Hex, M6 x 1 x 16mm, CI 8.8, Full Thd	BOLT M6X16 FULL 8.8 ZND
7	43476	4	BOLT Regular Sq Nk, M10 x 70mm, CI 8.8	BOLT RDH SQNK M10X70 8.8 ZND
8	48064922	2	PLATE	SIGNAL PLATE - decal put on a aluminum sheet
9	500041244	2	REFLECTOR	Reflex vit ?60
10	300316020	4	LOCK NUT M10 CL 8 FZB DIN985	Nut M10 cl.8 FZB DIN985
11	300316026	8	LOCK NUT M6 DIN985	nut ISO 10511-M6-8-FZB
12	87529298	4	WASHER 11mm ID x 21mm OD x 2mm Thk	WASHER 11 X 21 X 2MM CST DOR
13	86588450	8		WASHER 6.6 X 12 X 1.6 MM CST ZND
14	300316021	4	LOCK NUT M12 CL 8 FZB DIN985	nut ISO 10511 M12-8-FZB
15	86511324	4	WASHER 13mm ID x 24mm OD x 2.5mm Thk	WASHER 13X24X2.5 MM CST ZND

018

p1

STONEBEAR FRONT LIGHT KIT ASSEMBLY LEFT SIDE; (SN Break) After KTNKA210E00001338



018

p1

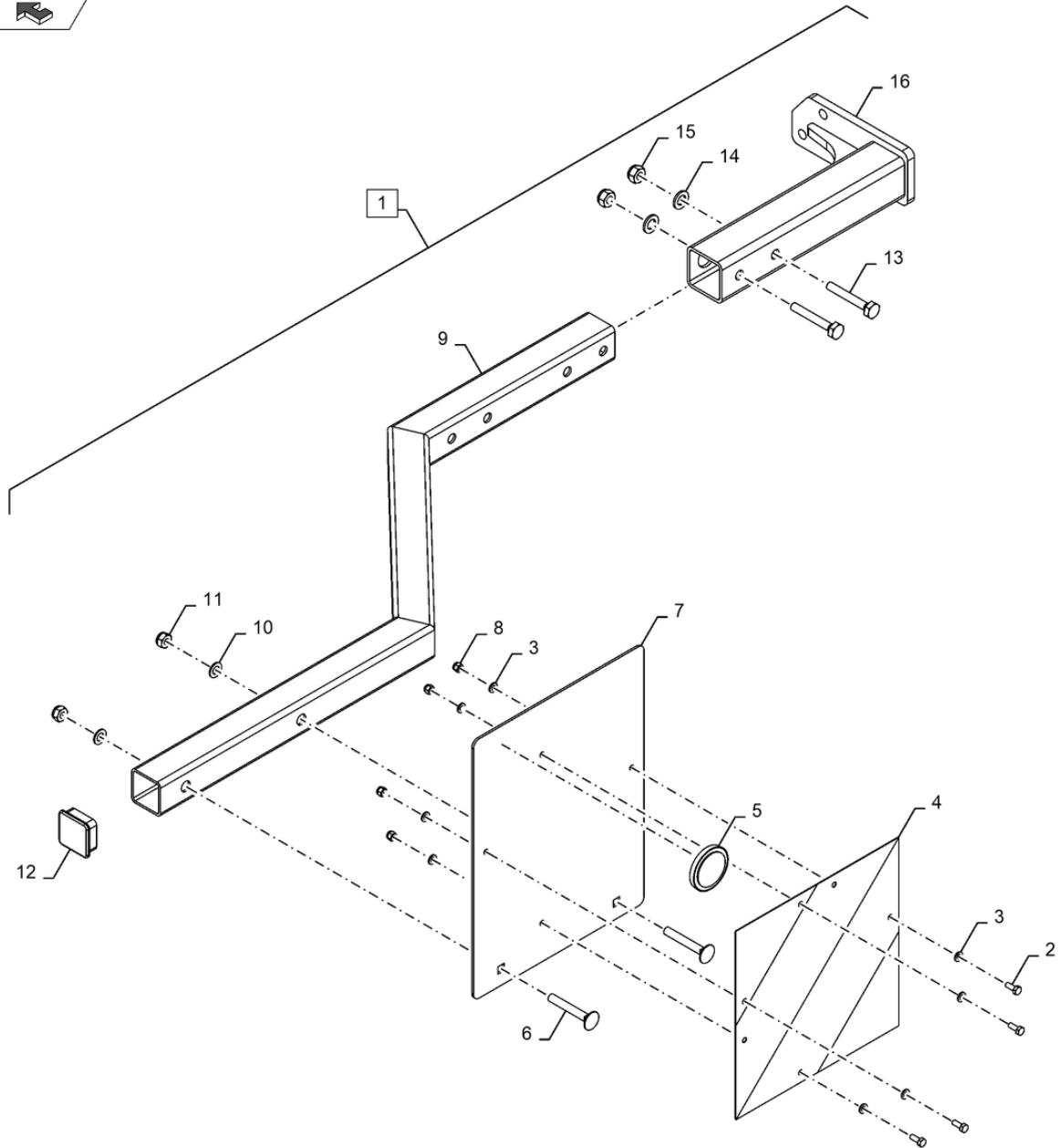
STONEBEAR FRONT LIGHT KIT ASSEMBLY LEFT SIDE; (SN Break) After KTNKA210E00001338

REF	PN	QTY	DESCRIPTION	USAGE
1	330290111	1	BEAM	STONEBEAR FRONT LIGHT KIT ASSEMBLY LEFT SIDE (Incl 2- 16)
2	86508568	4	BOLT Hex, M6 x 1 x 16mm, Cl 8.8, Full Thd	BOLT M6X16 CL. 8.8 ZND DIN931
3	300332038	8	WASHER	WASHER M6 FZB DIN126
4	48064922	1	PLATE	SIGNAL PLATE - DECAL PUT ON A ALUMINUM SHEET
5	43476	2	BOLT Regular Sq Nk, M10 x 70mm, Cl 8.8	CARRIAGE BOLT M10X70 CL. 8.8 ZND DIN603
6	500041244	1	REFLECTOR	REFLEX VIT, ?60
7	330290065	1	MOUNT	FRONT HOLDER FOR LIGHT
8	300316026	4	LOCK NUT M6 DIN985	NUT M6 DIN985
9	300082635	1	PLUG	PLASTIC PLUGE 50X50
10	300332027	2	WASHER M10 FZB DIN126	WASHER M10 FZB DIN126
11	300316029	2	LOCK NUT	NUT ISO 10511 M10X1-8-FZB
12	330290141	1	BEAM	HORIZONTAL FRONT BEAM ASSEMBLY
13	9706717	2	BOLT Hex, M12 x 1.75 x 70mm, Cl 8.8	BOLT M12X70 DIN931 CL.8.8
14	300332008	2	WASHER M12 FZB DIN126	WASHER M12 FZB DIN126
15	300316021	2	LOCK NUT M12 CL 8 FZB DIN985	NUT ISO 10511 M12-8-FZB
16	330290135	1	HANDLE	FRONT BEAM HANDLE LEFT SIDE DK_GREY

019

p1

STONEBEAR FRONT LIGHT KIT ASSEMBLY RIGHT SIDE; (SN Break) After KTNKA210E00001338



019

p1

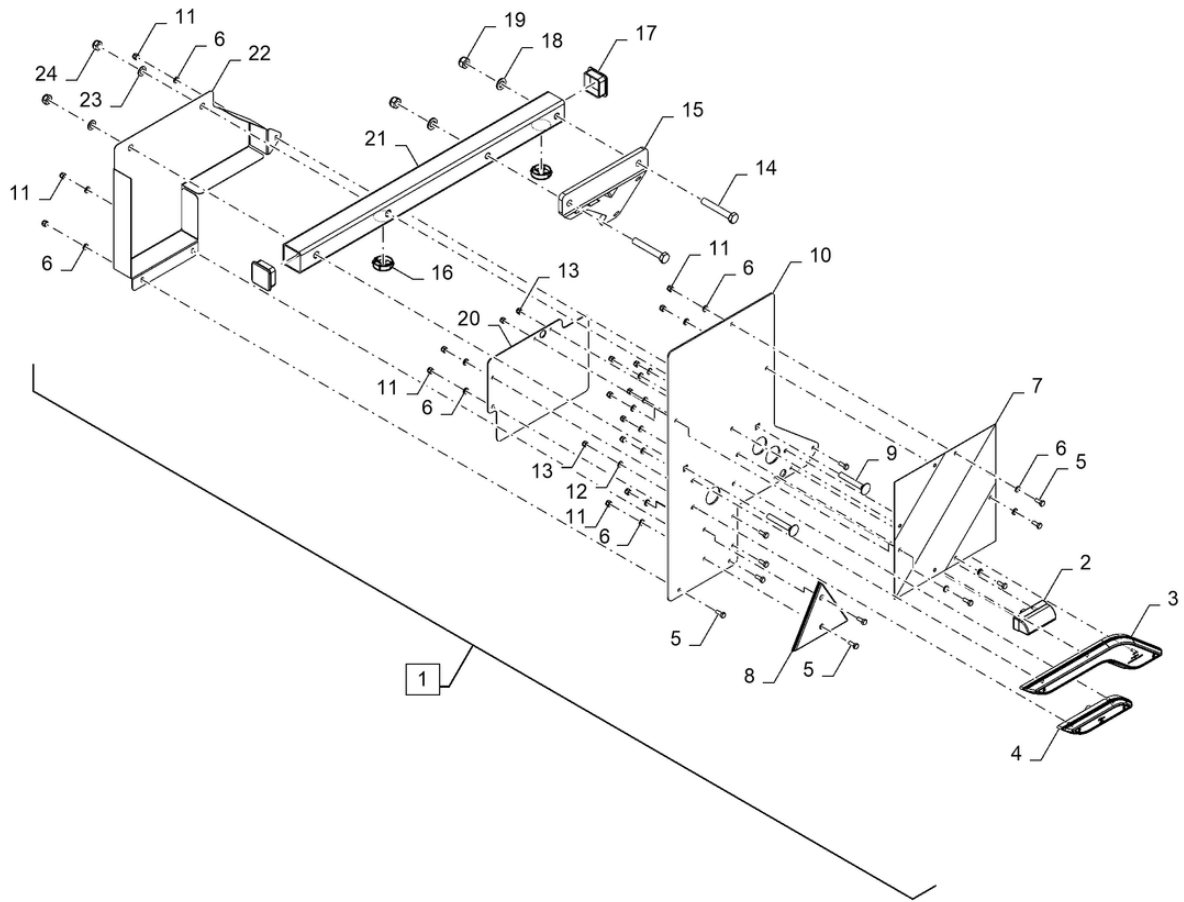
STONEBEAR FRONT LIGHT KIT ASSEMBLY RIGHT SIDE; (SN Break) After KTNKA210E00001338

REF	PN	QTY	DESCRIPTION	USAGE
1	330290112	1	BEAM	STONEBEAR FRONT LIGHT KIT ASSEMBLY RIGHT SIDE (Incl 2- 16)
2	86508568	4	BOLT Hex, M6 x 1 x 16mm, Cl 8.8, Full Thd	BOLT M6X16 CL. 8.8 ZND DIN931
3	300332038	8	WASHER	WASHER M6 FZB DIN126
4	48064922	1	PLATE	SIGNAL PLATE - DECAL PUT ON A ALUMINUM SHEET
5	500041244	1	REFLECTOR	REFLEX VIT, ?60
6	43476	2	BOLT Regular Sq Nk, M10 x 70mm, Cl 8.8	CARRIAGE BOLT M10X70 CL. 8.8 ZND DIN603
7	330290065	1	MOUNT	FRONT HOLDER FOR LIGHT
8	300316026	4	LOCK NUT M6 DIN985	NUT M6 DIN985
9	330290141	1	BEAM	HORIZONTAL FRONT BEAM ASSEMBLY
10	300332027	2	WASHER M10 FZB DIN126	WASHER M10 FZB DIN126
11	300316029	2	LOCK NUT	NUT ISO 10511 M10X1-8-FZB
12	300082635	1	PLUG	PLASTIC PLUGE 50X50
13	9706717	2	BOLT Hex, M12 x 1.75 x 70mm, Cl 8.8	BOLT M12X70 DIN931 CL.8.8
14	300332008	2	WASHER M12 FZB DIN126	WASHER M12 FZB DIN126
15	300316021	2	LOCK NUT M12 CL 8 FZB DIN985	NUT ISO 10511 M12-8-FZB
16	330290136	1	HANDLE	FRONT BEAM HANDLE RIGHT SIDE DK_GREY

022

p1

LIGHT KIT ASSEMBLY - LEFT SIDE; (SN Break) After KTNKA210E00001338



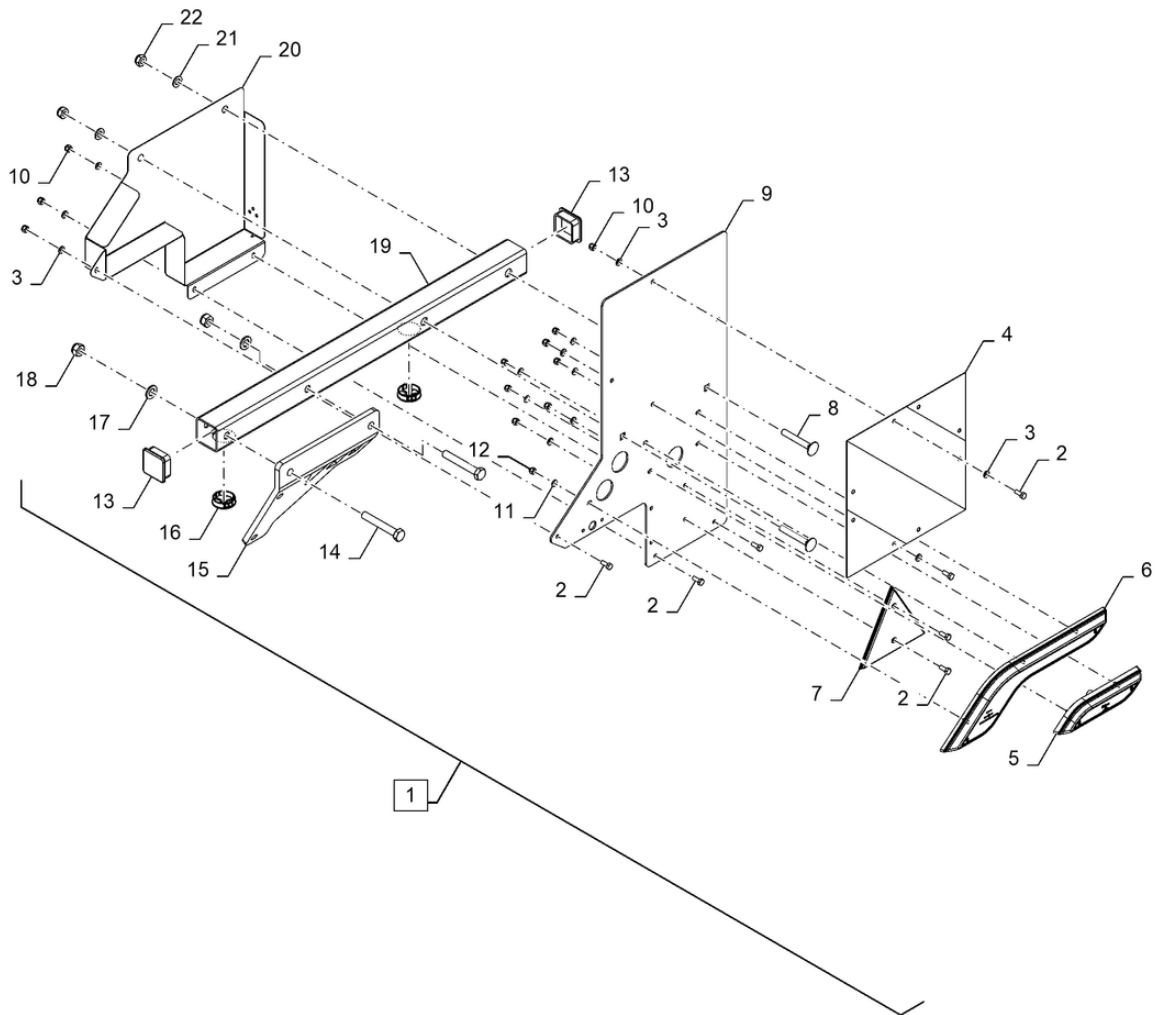
LIGHT KIT ASSEMBLY - LEFT SIDE; (SN Break) After KTNKA210E00001338

REF	PN	QTY	DESCRIPTION	USAGE
1	330290113	1	LIGHT ASSY.	LIGHT KIT ASSEMBLY - LEFT SIDE (Incl 2 - 24)
2	330290077	1	LAMP	REAR REGISTRATION PLATE LAMP
3	51529365	1	POSITION LAMP	LAMP, POSITION, SAE / ECE STOP- TAIL LH
4	51529369	1	TURN/SMV LAMP	LAMP, TURN / SMV, ECE DIR INDICATOR LH
5	86508568	11	BOLT Hex, M6 x 1 x 16mm, Cl 8.8, Full Thd	BOLT, M6X16 FULL 8.8 ZND
6	300332038	15	WASHER	WASHER M6 FZB DIN126
7	48064922	1	PLATE	SIGNAL PLATE - DECAL PUT ON A ALUMINUM SHEET
8	500053263	1	WARNING DECAL	REAR RETRO-REFLECTOR (TRIANGULAR)
9	43476	2	BOLT Regular Sq Nk, M10 x 70mm, Cl 8.8	CARRIAGE BOLT M10X70 CL. 8.8 ZND DIN603
10	330290062	1	PLATE	SHEET METAL FOR LIGHT KIT FIXING DK GREY
11	300316026	11	LOCK NUT M6 DIN985	NUT M6 DIN985
12	322356	5	BELLEVILLE WASHER M5 Bolt Size x 12mm OD x 1.85mm Thk	WASHER, BELLEVILLE, LOCK M5X12 ZNM
13	300316025	7	LOCK NUT DIN985 M5	SELF-LOCKING NUT M5 CL. 8 FZB DIN985
14	43158	2	BOLT Hex, M12 x 1.75 x 80mm, Cl 8.8	BOLT M12X80 CL. 8.8 ZND DIN931
15	330290120	1	HANDLE	LIGHT HANDLE SHEET LEFT SIDE (PAINTED)
16	303100018	2	RING	CABLE PASS D=38,1MM
17	300082635	2	PLUG	PLASTIC PLUGE 50X50
18	300332008	2	WASHER M12 FZB DIN126	WASHER M12 FZB DIN126
19	300316021	2	LOCK NUT M12 CL 8 FZB DIN985	NUT ISO 10511 M12-8-FZB
20	330290128	1	SUPPORT	REGISTRATION PLATE SUPPORT (GREY)
21	330290126	1	BEAM	PROFILE HORIZONTAL LIGHT KIT
22	330290084	1	COVER	CONNECTORS COVER - LEFT SIDE DK_GREY
23	300332027	2	WASHER M10 FZB DIN126	WASHER M10 FZB DIN126
24	300316029	2	LOCK NUT	NUT ISO 10511 M10X1-8-FZB

023

p1

LIGHT KIT ASSEMBLY - RIGHT SIDE; (SN Break) After KTNKA210E00001338



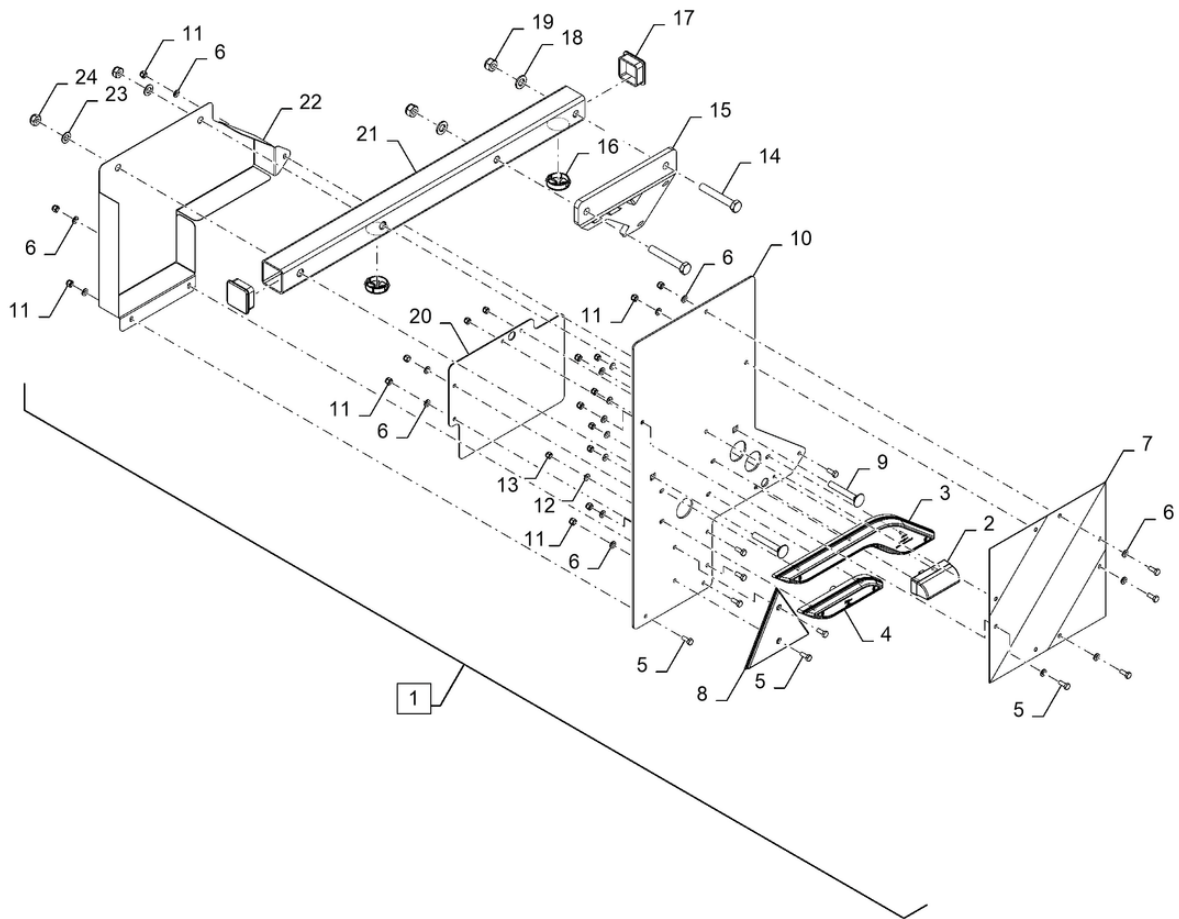
LIGHT KIT ASSEMBLY - RIGHT SIDE; (SN Break) After KTNKA210E00001338

REF	PN	QTY	DESCRIPTION	USAGE
1	330290114	1	LIGHT ASSY.	LIGHT KIT ASSEMBLY - RIGHT SIDE (Incl 2- 22)
2	86508568	9	BOLT Hex, M6 x 1 x 16mm, CI 8.8, Full Thd	BOLT M6X16 8.8 FZB DIN933
3	300332038	13	WASHER	WASHER M6 FZB DIN126
4	48064922	1	PLATE	SIGNAL PLATE - DECAL PUT ON A ALUMINUM SHEET
5	51529368	1	TURN/SMV LAMP	LAMP, POSITION, SEA / ECE STOP-TAIL RH
6	51529361	1	POSITION LAMP	LAMP, TURN / SMV, ECE DIR INDICATOR RH
7	500053263	1	WARNING DECAL	REAR RETRO-REFLECTOR (TRIANGULAR)
8	43476	2	BOLT Regular Sq Nk, M10 x 70mm, CI 8.8	CARRIAGE BOLT M10X70 CL. 8.8 ZND DIN603
9	330290062	1	PLATE	SHEET METAL FOR LIGHT KIT FIXING DK GREY
10	300316026	9	LOCK NUT M6 DIN985	NUT M6 DIN985
11	322356	5	BELLEVILLE WASHER M5 Bolt Size x 12mm OD x 1.85mm Thk	WASHER, BELLEVILLE, LOCK M5X12 ZNM
12	300316025	5	LOCK NUT DIN985 M5	SELF-LOCKING NUT M5 CL. 8 FZB DIN985
13	300082635	2	PLUG	PLASTIC PLUGE 50X50
14	43158	2	BOLT Hex, M12 x 1.75 x 80mm, CI 8.8	BOLT M12X80 CL. 8.8 ZND DIN931
15	330290119	1	HANDLE	LIGHT HANDLE SHEET RIGHT SIDE (PAINTED)
16	303100018	2	RING	CABLE PASS D=38,1MM
17	300332008	2	WASHER M12 FZB DIN126	WASHER M12 FZB DIN126
18	300316021	2	LOCK NUT M12 CL 8 FZB DIN985	NUT ISO 10511 M12-8-FZB
19	330290126	1	BEAM	PROFILE HORIZONTAL LIGHT KIT
20	330290085	1	COVER	REAR LIGHTS COVER PLATE
21	300332027	2	WASHER M10 FZB DIN126	WASHER M10 FZB DIN126
22	300316029	2	LOCK NUT	NUT ISO 10511 M10X1-8-FZB

024

p1

LIGHT KIT ASSEMBLY - LEFT SIDE; (SN Break) After KTNKA210E0001338



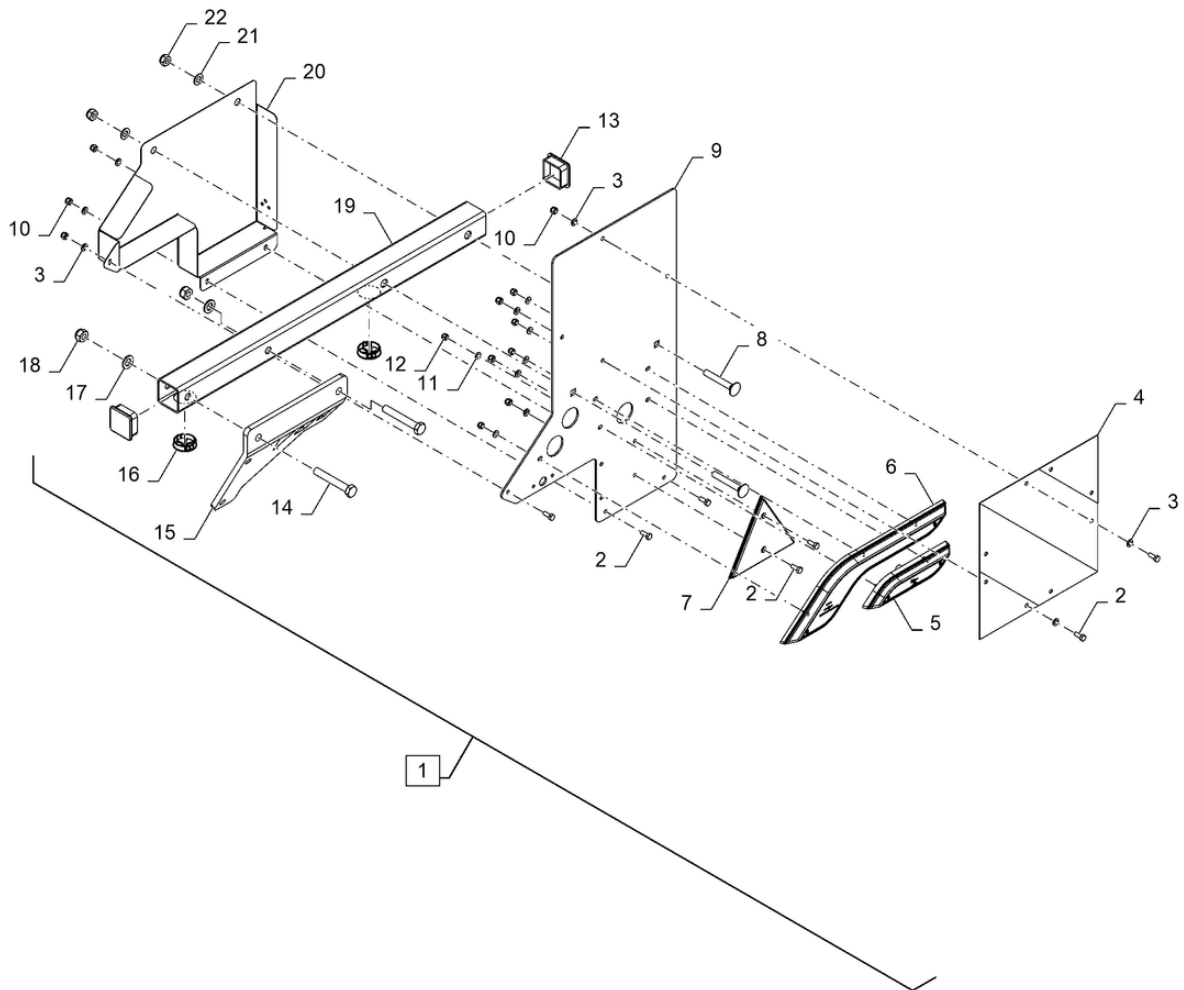
LIGHT KIT ASSEMBLY - LEFT SIDE; (SN Break) After KTNKA210E00001338

REF	PN	QTY	DESCRIPTION	USAGE
1	330290103	1	LIGHT ASSY.	LIGHT KIT ASSEMBLY - LEFT SIDE (Incl 2- 24)
2	330290077	1	LAMP	REAR REGISTRATION PLATE LAMP
3	51529365	1	POSITION LAMP	LAMP, POSITION, SAE / ECE STOP- TAIL LH
4	51529369	1	TURN/SMV LAMP	LAMP, TURN / SMV, ECE DIR INDICATOR LH
5	86508568	11	BOLT Hex, M6 x 1 x 16mm, Cl 8.8, Full Thd	BOLT, M6X16 FULL 8.8 ZND
6	300332038	15	WASHER	WASHER M6 FZB DIN126
7	48064922	1	PLATE	SIGNAL PLATE - DECAL PUT ON A ALUMINUM SHEET
8	500053263	1	WARNING DECAL	REAR RETRO-REFLECTOR (TRIANGULAR)
9	43476	2	BOLT Regular Sq Nk, M10 x 70mm, Cl 8.8	CARRIAGE BOLT M10X70 CL. 8.8 ZND DIN603
10	330290062	1	PLATE	SHEET METAL FOR LIGHT KIT FIXING DK GREY
11	300316026	11	LOCK NUT M6 DIN985	NUT M6 DIN985
12	322356	5	BELLEVILLE WASHER M5 Bolt Size x 12mm OD x 1.85mm Thk	WASHER, BELLEVILLE, LOCK M5X12 ZNM
13	300316025	7	LOCK NUT DIN985 M5	SELF-LOCKING NUT M5 CL. 8 FZB DIN985
14	43158	2	BOLT Hex, M12 x 1.75 x 80mm, Cl 8.8	BOLT M12X80 CL. 8.8 ZND DIN931
15	330290120	1	HANDLE	LIGHT HANDLE SHEET LEFT SIDE (PAINTED)
16	303100018	2	RING	CABLE PASS D=38,1MM
17	300082635	2	PLUG	PLASTIC PLUGE 50X50
18	300332008	2	WASHER M12 FZB DIN126	WASHER M12 FZB DIN126
19	300316021	2	LOCK NUT M12 CL 8 FZB DIN985	NUT ISO 10511 M12-8-FZB
20	330290128	1	SUPPORT	REGISTRATION PLATE SUPPORT (GREY)
21	330290126	1	BEAM	PROFILE HORIZONTAL LIGHT KIT
22	330290084	1	COVER	CONNECTORS COVER - LEFT SIDE DK_GREY
23	300332027	2	WASHER M10 FZB DIN126	WASHER M10 FZB DIN126
24	300316029	2	LOCK NUT	NUT ISO 10511 M10X1-8-FZB

025

p1

LIGHT KIT ASSEMBLY - RIGHT SIDE; (SN Break) After KTNKA210E00001338



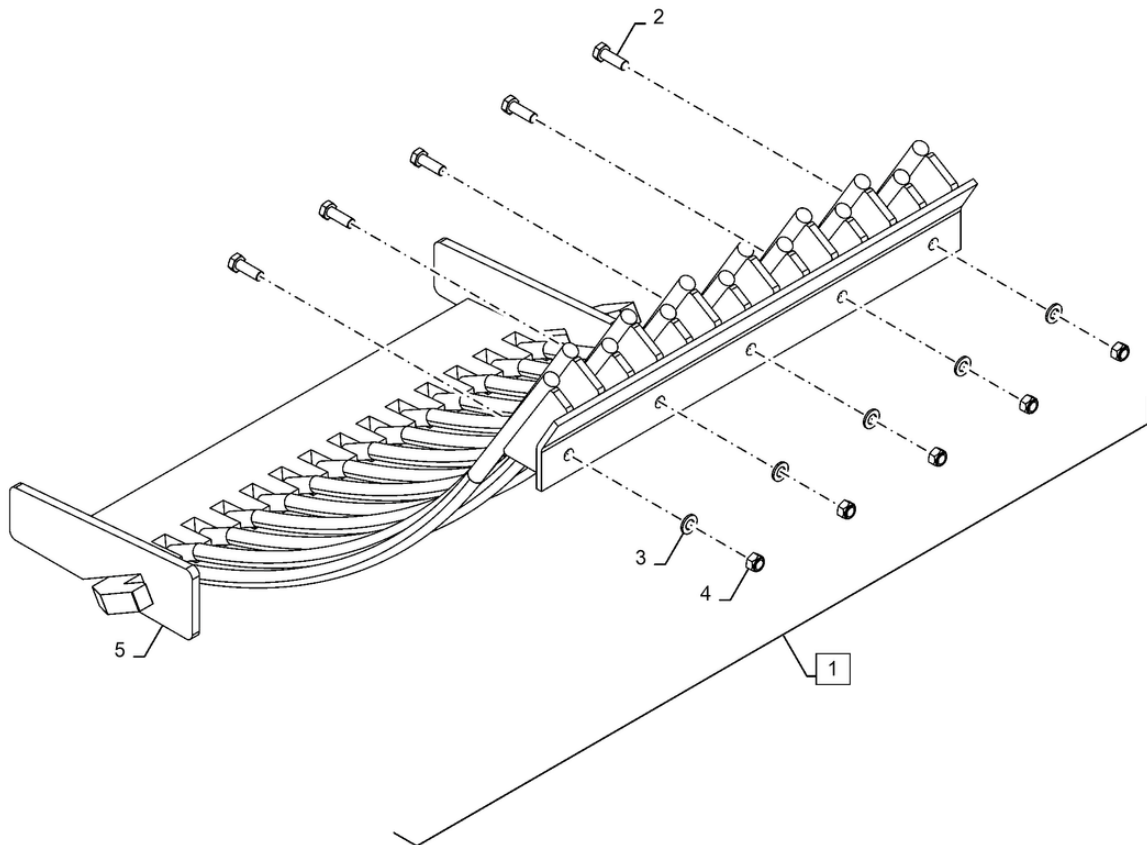
LIGHT KIT ASSEMBLY - RIGHT SIDE; (SN Break) After KTNKA210E00001338

REF	PN	QTY	DESCRIPTION	USAGE
1	330290105	1	LIGHT ASSY.	LIGHT KIT ASSEMBLY - RIGHT SIDE (Incl 2- 22)
2	86508568	9	BOLT Hex, M6 x 1 x 16mm, CI 8.8, Full Thd	BOLT M6X16 8.8 FZB DIN933
3	300332038	13	WASHER	WASHER M6 FZB DIN126
4	48064922	1	PLATE	SIGNAL PLATE - DECAL PUT ON A ALUMINUM SHEET
5	51529368	1	TURN/SMV LAMP	LAMP, POSITION, SEA / ECE STOP-TAIL RH
6	51529361	1	POSITION LAMP	LAMP, TURN / SMV, ECE DIR INDICATOR RH
7	500053263	1	WARNING DECAL	REAR RETRO-REFLECTOR (TRIANGULAR)
8	43476	2	BOLT Regular Sq Nk, M10 x 70mm, CI 8.8	CARRIAGE BOLT M10X70 CL. 8.8 ZND DIN603
9	330290062	1	PLATE	SHEET METAL FOR LIGHT KIT FIXING DK GREY
10	300316026	9	LOCK NUT M6 DIN985	NUT M6 DIN985
11	322356	5	BELLEVILLE WASHER M5 Bolt Size x 12mm OD x 1.85mm Thk	WASHER, BELLEVILLE, LOCK M5X12 ZNM
12	300316025	5	LOCK NUT DIN985 M5	SELF-LOCKING NUT M5 CL. 8 FZB DIN985
13	300082635	2	PLUG	PLASTIC PLUGE 50X50
14	43158	2	BOLT Hex, M12 x 1.75 x 80mm, CI 8.8	BOLT M12X80 CL. 8.8 ZND DIN931
15	330290119	1	HANDLE	LIGHT HANDLE SHEET RIGHT SIDE (PAINTED)
16	303100018	2	RING	CABLE PASS D=38,1MM
17	300332008	2	WASHER M12 FZB DIN126	WASHER M12 FZB DIN126
18	300316021	2	LOCK NUT M12 CL 8 FZB DIN985	NUT ISO 10511 M12-8-FZB
19	330290126	1	BEAM	PROFILE HORIZONTAL LIGHT KIT
20	330290085	1	COVER	REAR LIGHTS COVER PLATE
21	300332027	2	WASHER M10 FZB DIN126	WASHER M10 FZB DIN126
22	300316029	2	LOCK NUT	NUT ISO 10511 M10X1-8-FZB

028

p1

SCREEN 28MM - DIA KIT



028

p1

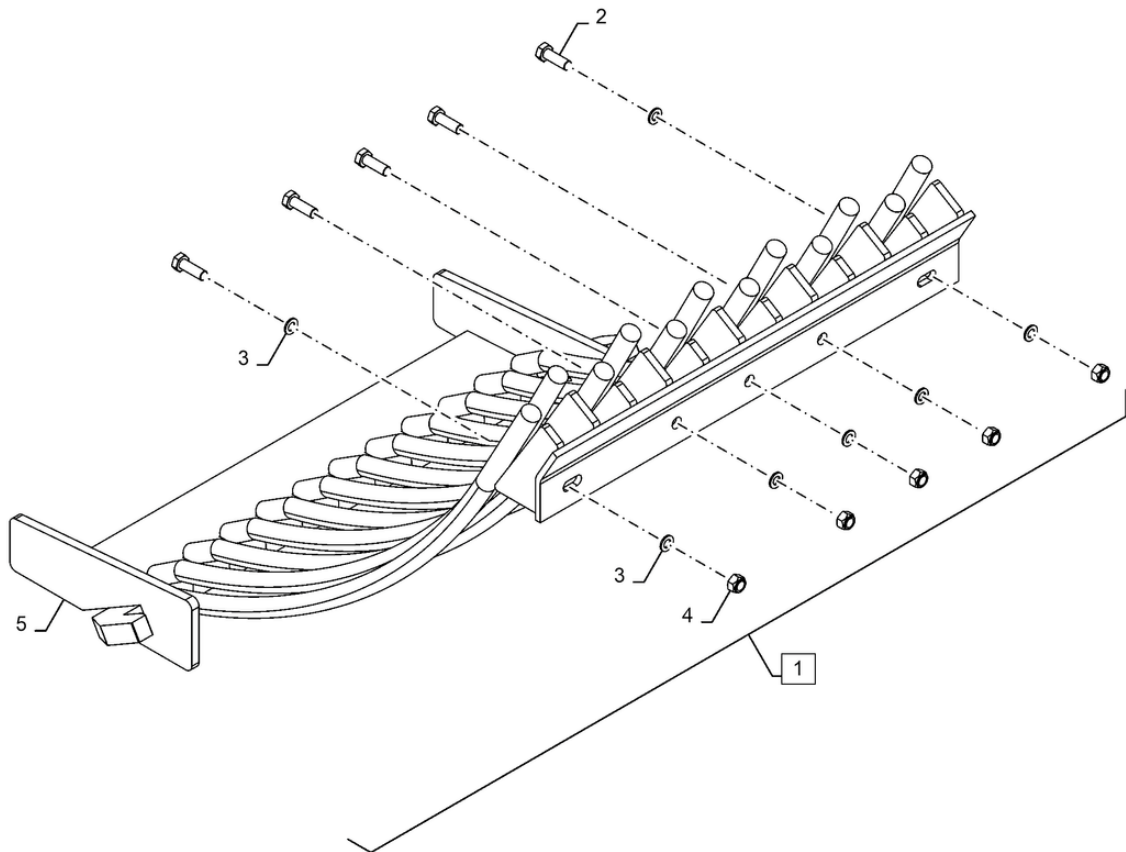
SCREEN 28MM - DIA KIT

REF	PN	QTY	DESCRIPTION	USAGE
1	92045666	1	DIA KIT, HARVESTER	Screen 28mm - DIA KIT (Incl. 2 - 5)
2	300389	5	BOLT Hex, M12 x 1.75 x 35mm, Cl 8.8, Full Thd	Bolt M12x35 cl. 8.8 ZND DIN933
3	86511324	5	WASHER 13mm ID x 24mm OD x 2.5mm Thk	Washer M12 CST ZND DIN126
4	300316021	5	LOCK NUT M12 CL 8 FZB DIN985	LOCK NUT. M12 cl.8 FZB DIN985
5	500068621	1	DIA KIT, HARVESTER	Screen 28mm WA CNHi DARK GREY

029

p1

SCREEN 35MM - DIA KIT



029

p1

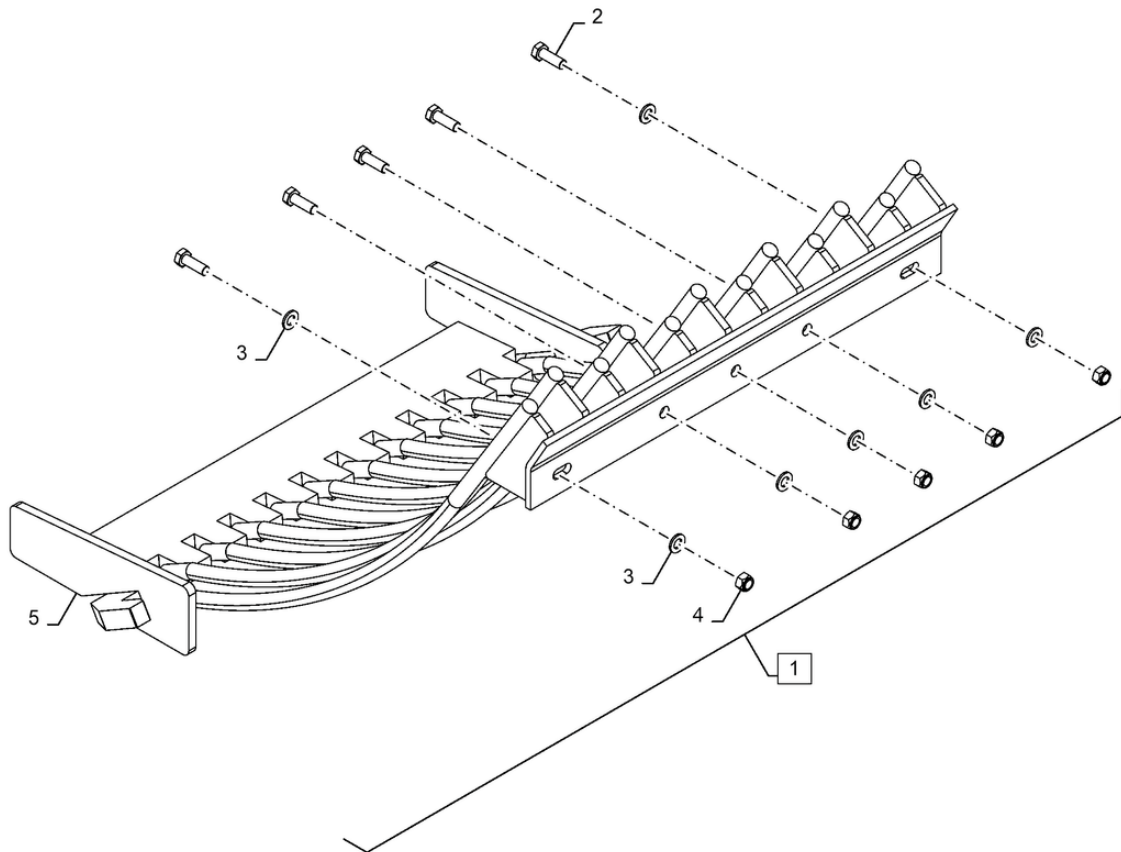
SCREEN 35MM - DIA KIT

REF	PN	QTY	DESCRIPTION	USAGE
1	92045667	1	DIA KIT, HARVESTER	Screen 35mm - DIA KIT
2	300389	5	BOLT Hex, M12 x 1.75 x 35mm, Cl 8.8, Full Thd	Bolt M12x35 cl. 8.8 ZND DIN933
3	87529298	7	WASHER 11mm ID x 21mm OD x 2mm Thk	Washer M10 CST DOR DIN126
4	300316021	5	LOCK NUT M12 CL 8 FZB DIN985	LOCK NUT. M12 cl.8 FZB DIN985
5	500068615	1	DIA KIT, HARVESTER	Screen 35mm WA CNHi DARK GREY

030

p1

SCREEN 40MM - DIA KIT



030

p1

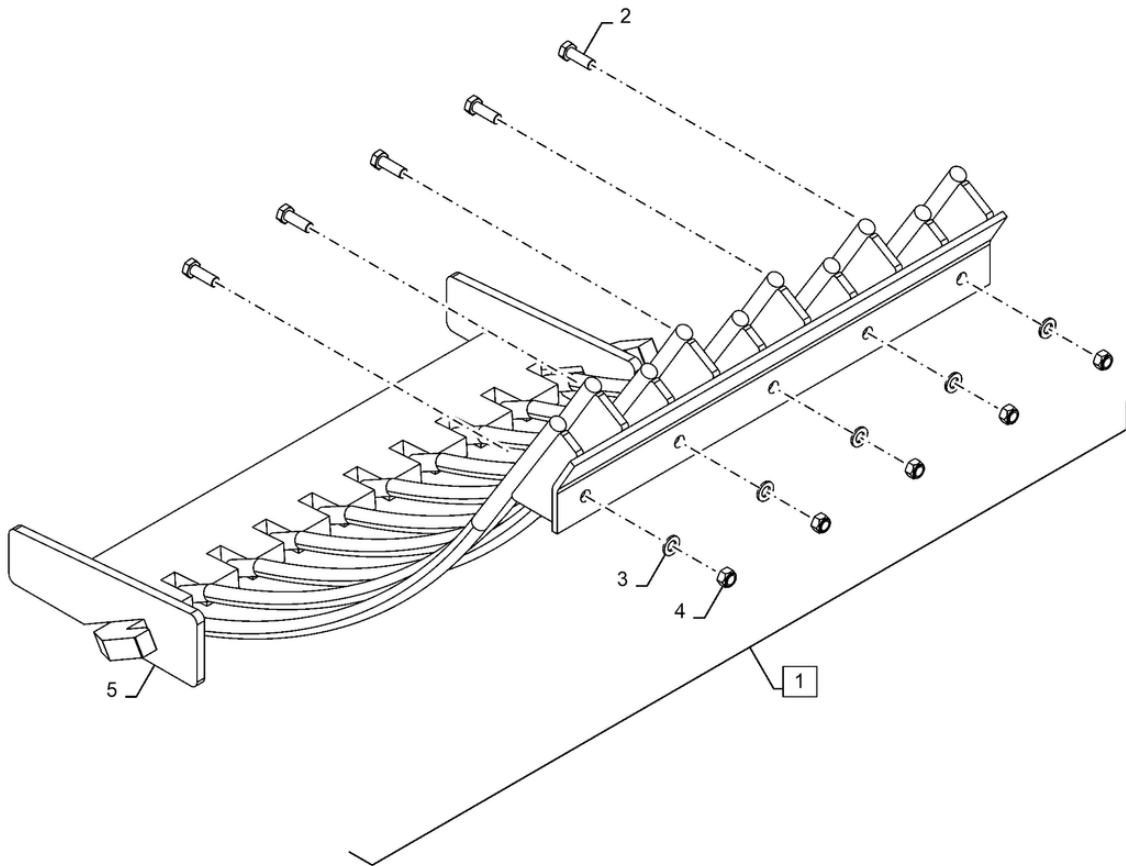
SCREEN 40MM - DIA KIT

REF	PN	QTY	DESCRIPTION	USAGE
1	92045668	1	DIA KIT, HARVESTER	Screen 40mm - DIA KIT (Incl. 2 - 5)
2	300389	5	BOLT Hex, M12 x 1.75 x 35mm, Cl 8.8, Full Thd	Bolt M12x35 cl. 8.8 ZND DIN933
3	86511324	7	WASHER 13mm ID x 24mm OD x 2.5mm Thk	Washer M12 CST ZND DIN126
4	300316021	5	LOCK NUT M12 CL 8 FZB DIN985	LOCK NUT. M12 cl.8 FZB DIN985
5	500068616	1	DIA KIT, HARVESTER	Screen 40mm WA CNHi DARK GREY

031

p1

SCREEN 50MM - DIA KIT



031

p1

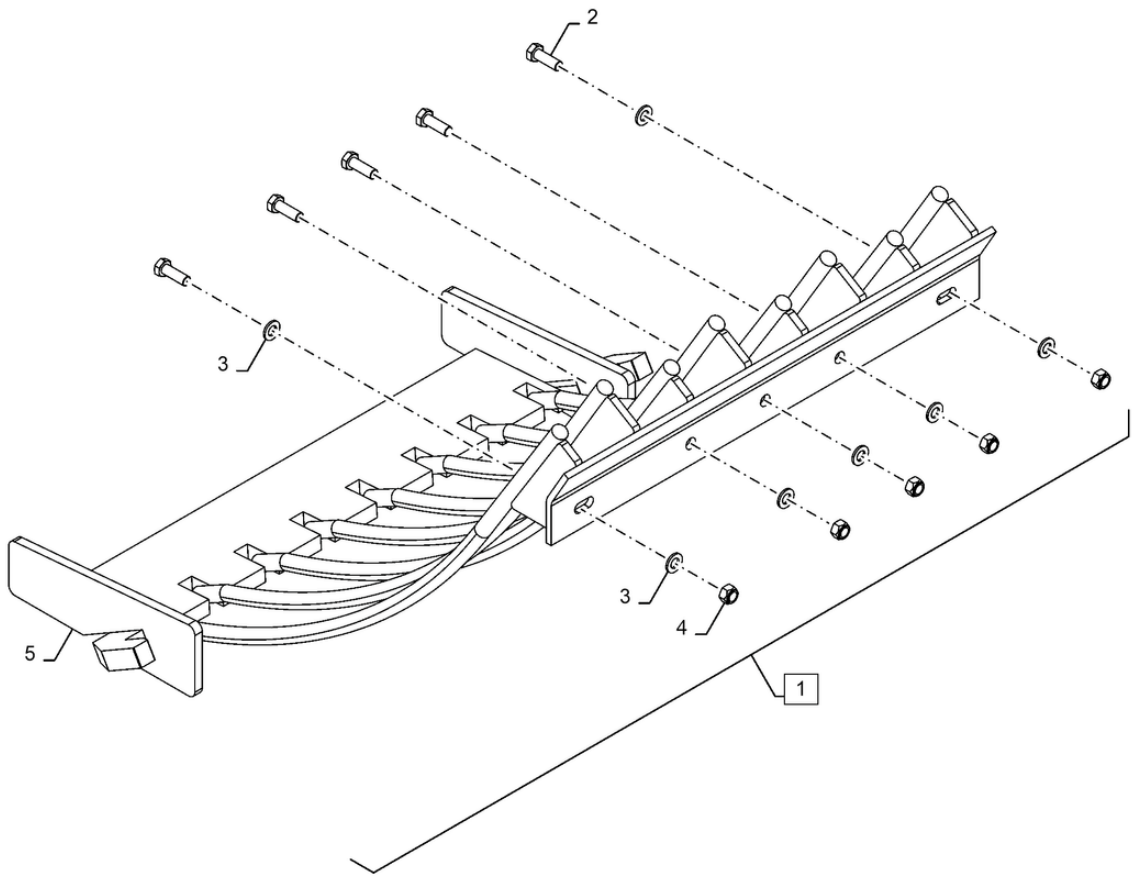
SCREEN 50MM - DIA KIT

REF	PN	QTY	DESCRIPTION	USAGE
1	92045669	1	DIA KIT, HARVESTER	Screen 50mm - DIA KIT (Incl. 2- 5)
2	300389	5	BOLT Hex, M12 x 1.75 x 35mm, Cl 8.8, Full Thd	Bolt M12x35 cl. 8.8 ZND DIN933
3	86511324	5	WASHER 13mm ID x 24mm OD x 2.5mm Thk	Washer M12 CST ZND DIN126
4	300316021	5	LOCK NUT M12 CL 8 FZB DIN985	LOCK NUT. M12 cl.8 FZB DIN985
5	500068617	1	DIA KIT, HARVESTER	Screen 50mm WA CNHi DARK GREY

032

p1

SCREEN 70MM - DIA KIT



032

p1

SCREEN 70MM - DIA KIT

REF	PN	QTY	DESCRIPTION	USAGE
1	92045670	1	DIA KIT, HARVESTER	Screen 70mm - DIA KIT (Incl. 2 - 5)
2	300389	5	BOLT Hex, M12 x 1.75 x 35mm, Cl 8.8, Full Thd	Bolt M12x35 cl. 8.8 ZND DIN933
3	86511324	7	WASHER 13mm ID x 24mm OD x 2.5mm Thk	Washer M12 CST ZND DIN126
4	300316021	5	LOCK NUT M12 CL 8 FZB DIN985	LOCK NUT. M12 cl.8 FZB DIN985
5	500068618	1	DIA KIT, HARVESTER	Screen 70mm WA CNHi DARK GREY