

SERVICE PARTS CATALOGUE

MODEL

**STONEBEAR SB 4000 - Rock Collector - From Sn
Ktnka801c00001233 Onwards (11/18 -)**

Print Date: 08/2024

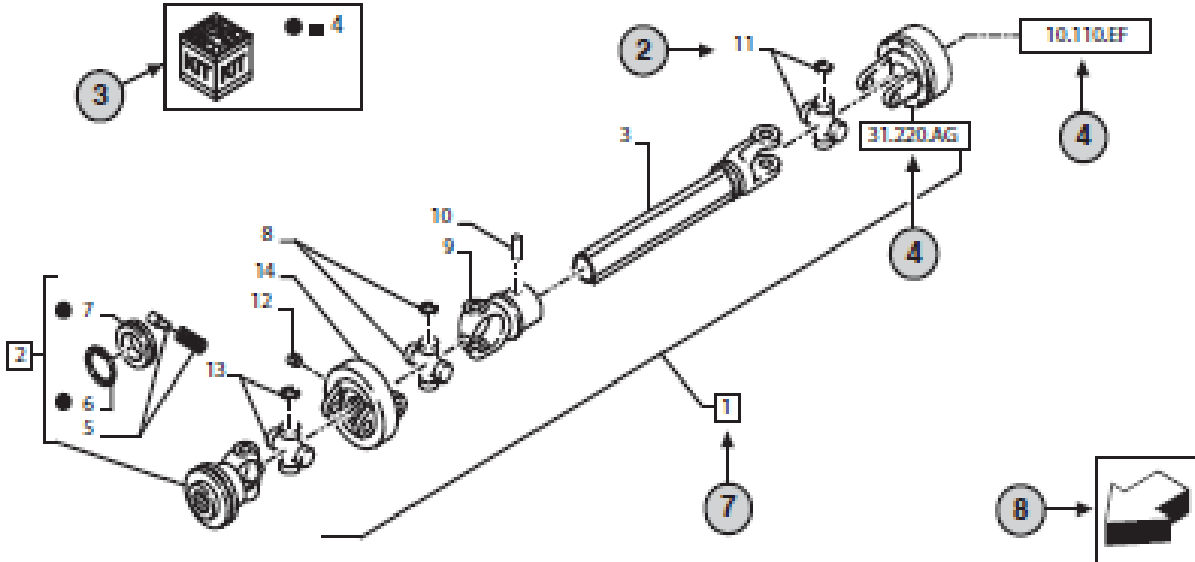
31.220.AD

01

p1

10/2014

VAR - 123782, 789101,987654 - PTO - D650



STANDARD ← 6

23

9

10

31.220.AD

01

p1

10/2014

VAR - 123782, 789101,987654 - PTO - D650

11

12

13

14

REF	FN	PART NUMBER	YR/SN	QTY	DESCRIPTION
1	1	86529340	↑ 20	1	SHAFT PTO, Incl 2 - 11
2	↑ 15	84014007		1	YOKE, Incl 4 -7 ← 7
3	↑ 16	NSS		1	NOT SERVICED SEPARATELY, SHAFT, 350mm, Incl In 1
4		84004292		1	KIT, Seal Kit, Incl 6, 7 ↑ 17
4		{84058743}		1	KIT, Seal Kit, Incl 6, 7
2	↑			↑ 21	
18	↑			↑ 22	
19	↑				
		1 - FOR ITALY ONLY ← 5			

MODELS ← 1


- 1 Model Number and Model Description
- 2 Reference - Figure call-out of the part number.
- 3 Parts supplied in repair kits per symbol reference.
- 4 31.220.AD Part illustrated on the **Page** or in the **Figure** indicated, or calls for **Variations** or **Details**. Indicates components shown in detail elsewhere in the catalogue under the figure number shown.
- 5 Footnote references
- 6 Figure notes
- 7 1 2 Includes item(s) (See Description within partlist.)
- 8 Orientation. (Arrow indicates front of the machine). 
- 9 Figure description.
- 10 General information of the figure.
- 11 Figure title number that aligns with the SRT. Standard Repair Time.
- 12 **Sequence** code within the assembly.
- 13 Page number within the sequence code.
- 14 **Date** of printing or updating of page (month-year).
- 15 **Note** - Relating to the Part Number. There is a key to symbols and abbreviations at the bottom of the text page.
- 16 Non-serviced parts.
- 17 Further description of the part to help confirm identification.
- 18 Not available as service part.
- 19 Part Number.
- 20 To be defined.
- 21 Total **Quantity** of the Part referred to in the page.
The quantity can be replaced by the following indications:
AR = quantity as requested.
- 22 Part **Description**.
- 23 Variant Codes

TABLE OF CONTENTS

001	001
002	002
003	003
003A	GEAR BOX , STONEBEAR
004	004
004A	DRIVESHAFT
005	005
006	006
007	007
008	008
009	009
010	010
011	011
012	012
013	LIGHT KIT ASSEMBLY - LEFT SIDE; (SN Break) After KTNKA210E00001338
014	LIGHT KIT ASSEMBLY - RIGHT SIDE; (SN Break) After KTNKA210E00001338
015	STONEBEAR FRONT LIGHT KIT ASSEMBLY LEFT SIDE; (SN Break) After KTNKA210E00001338
016	STONEBEAR FRONT LIGHT KIT ASSEMBLY RIGHT SIDE; (SN Break) After KTNKA210E00001338
017	LIGHT KIT ASSEMBLY - LEFT SIDE; (SN Break) After KTNKA210E00001338
018	LIGHT KIT ASSEMBLY - RIGHT SIDE; (SN Break) After KTNKA210E00001338
024	SCREEN 28MM - DIA KIT
025	SCREEN 35MM - DIA KIT
026	SCREEN 40MM - DIA KIT
027	SCREEN 50MM - DIA KIT
028	SCREEN 70MM - DIA KIT

SECTION INDEX

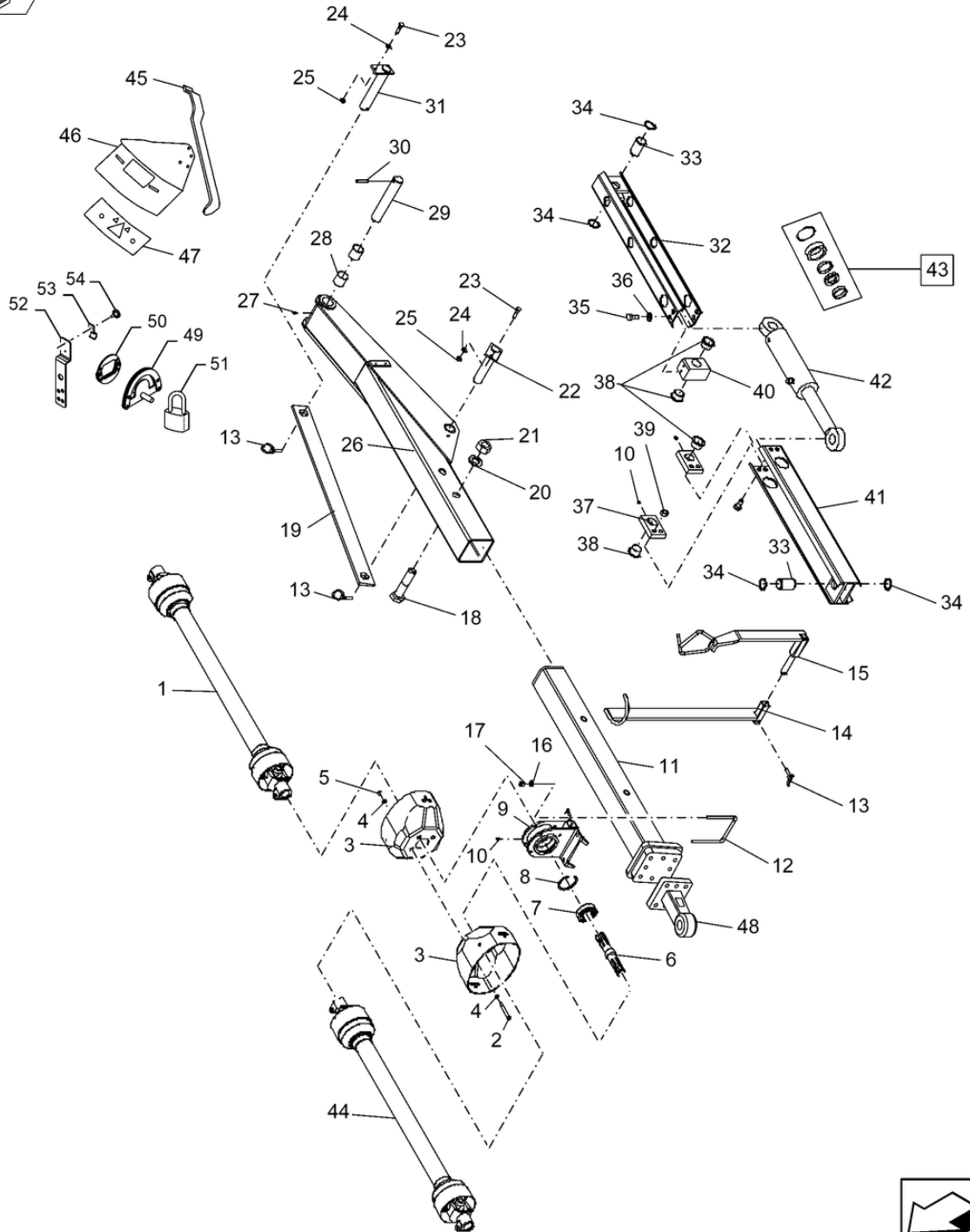
GENERAL

001	001
002	002
003	003
003A	GEAR BOX , STONEBEAR
004	004
004A	DRIVESHAFT
005	005
006	006
007	007
008	008
009	009
010	010
011	011
012	012
013	LIGHT KIT ASSEMBLY - LEFT SIDE; (SN Break) After KTNKA210E00001338
014	LIGHT KIT ASSEMBLY - RIGHT SIDE; (SN Break) After KTNKA210E00001338
015	STONEBEAR FRONT LIGHT KIT ASSEMBLY LEFT SIDE; (SN Break) After KTNKA210E00001338
016	STONEBEAR FRONT LIGHT KIT ASSEMBLY RIGHT SIDE; (SN Break) After KTNKA210E00001338
017	LIGHT KIT ASSEMBLY - LEFT SIDE; (SN Break) After KTNKA210E00001338
018	LIGHT KIT ASSEMBLY - RIGHT SIDE; (SN Break) After KTNKA210E00001338
024	SCREEN 28MM - DIA KIT
025	SCREEN 35MM - DIA KIT
026	SCREEN 40MM - DIA KIT
027	SCREEN 50MM - DIA KIT
028	SCREEN 70MM - DIA KIT

001

p1

001



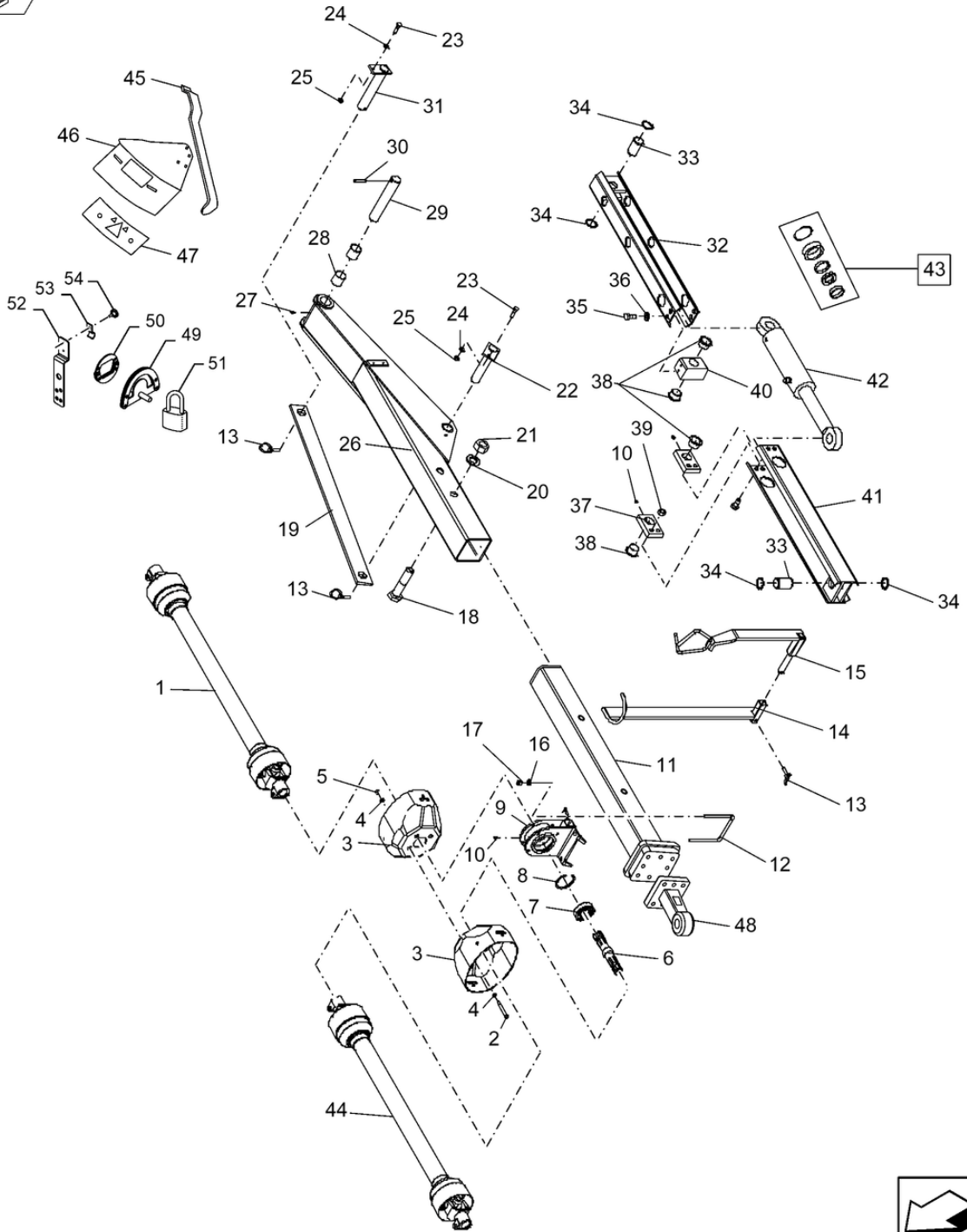
001

p1

001

REF	PN	QTY	DESCRIPTION	USAGE
1	500168811	1	AXLE	SHAFT;FOR SB4000 AND SB5200 ONLY
2	200216116	4	BOLT M8x80 cl. 8.8 DIN931	HEX HEAD M8X80;FOR SB4000 AND SB5200 ONLY
3	330044074	2	GUARD	PTO GUARD „BLACK" OVAL LONG;FOR SB4000 AND SB5200 ONLY
4	200215284	8	WASHER	WASHER M8 DIN 440;FOR SB4000 AND SB5200 ONLY
5	500057550	4	NUT	LOCK NUT M8;FOR SB4000 AND SB5200 ONLY
6	500068134	1	AXLE	SHAFT;FOR SB4000 AND SB5200 ONLY
7	500021157	2	SPH ROLLER BEARING	6307 2RS;FOR SB4000 AND SB5200 ONLY
8	71208001320	2	CIRCLIP 80x2,5 DIN472	J80X2.5 DIN 472;FOR SB4000 AND SB5200 ONLY
9	500068132	1	BEARING HOUSING	BEARING HOUSING;FOR SB4000 AND SB5200 ONLY
10	300421002	1	LUBE NIPPLE DIN71412 M6x1 H1	LUBRICATION NIPPLE M6;FOR SB4000 AND SB5200 ONLY
11	300362100	1	EXTENSION	
12	500068133	2	U-BOLT	U-BOLT;FOR SB4000 AND SB5200 ONLY
13	100333014	2	LINCH PIN 9,5 mm	LINCH PIN D9;FOR SB4000 AND SB5200 ONLY
14	500068136	1	SUPPORT	PTO SHAFT SUPPORT;FOR SB4000 AND SB5200 ONLY
15	500068135	1	SUPPORT	AXLE;FOR SB4000 AND SB5200 ONLY
16	500010462	2	WASHER	WASHER M12;FOR SB4000 AND SB5200 ONLY
17	4732212290	2	LOCK NUT	LOCK NUT M12;FOR SB4000 AND SB5200 ONLY
18	500068141	1	BOLT	HEX HEAD M30X160;FOR SB4000 AND SB5200 ONLY
19	500068138	1	LOCK	TRANSPORT LOCK;FOR SB4000 AND SB5200 ONLY

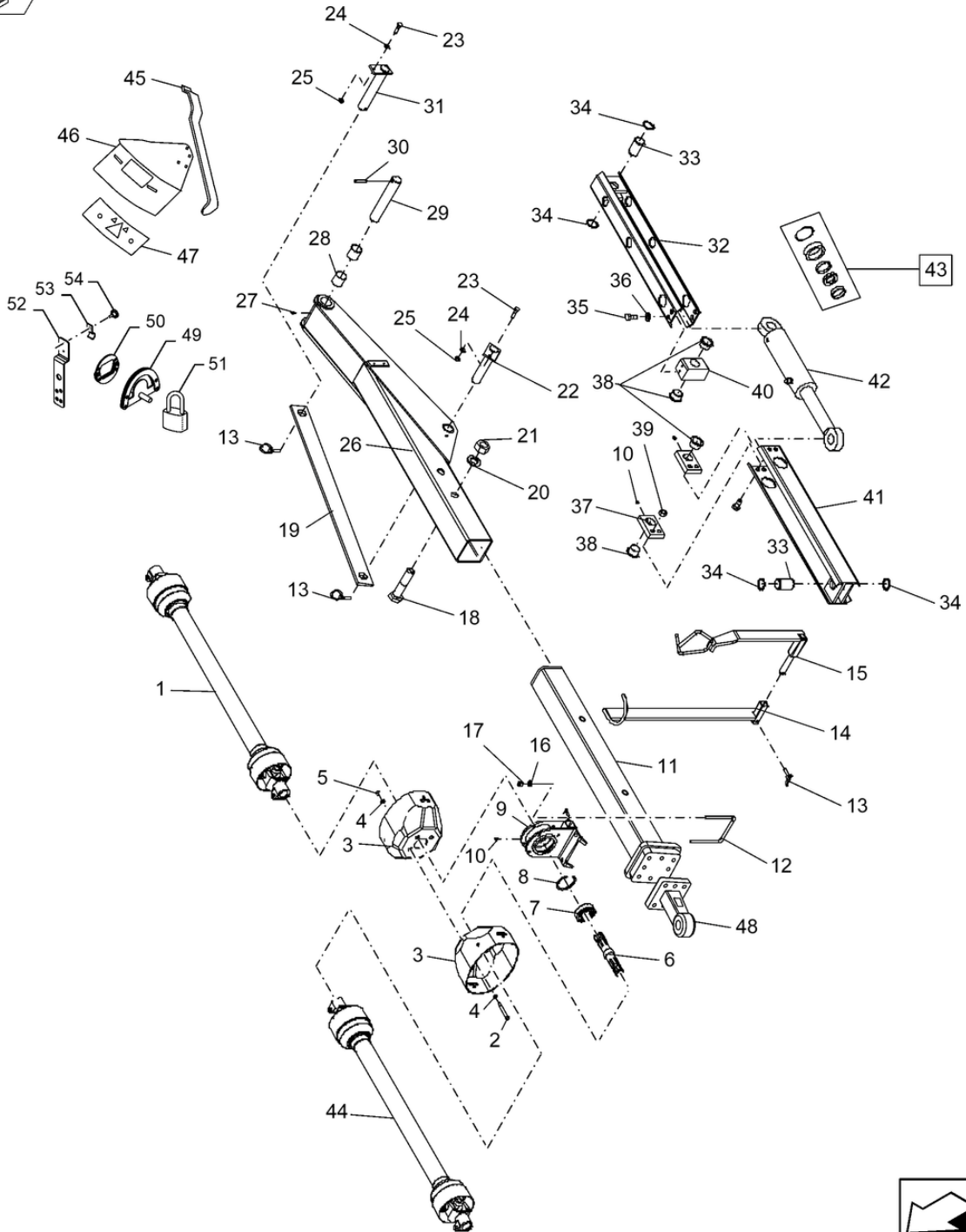
001



001

REF	PN	QTY	DESCRIPTION	USAGE
20	500068142	1	TRAY	WASHER M30;FOR SB4000 AND SB5200 ONLY
21	500089121	1	CROWN NUT	LOCK NUT M30;FOR SB4000 AND SB5200 ONLY
22	500068129	1	PIN	PIN;FOR SB4000 AND SB5200 ONLY
23	300304031	2	BOLT M10x20 CL 8.8 FZB DIN933	HEX HEAD M10X20;FOR SB4000 AND SB5200 ONLY
24	500010607	2	WASHER	WASHER M10;FOR SB4000 AND SB5200 ONLY
25	500057379	2	NUT	LOCK NUT M10;FOR SB4000 AND SB5200 ONLY
26	500068122	1	FRAME	REAR DRAWBAR;FOR SB4000 AND SB5200 ONLY
27	500010761	1	NIPPLE	LUBRICATION NIPPLE M8;FOR SB4000 AND SB5200 ONLY
28	500087593	2	BUSHING	GT454040;FOR SB4000 AND SB5200 ONLY
29	500068123	1	PIN	PIN O40-220;FOR SB4000 AND SB5200 ONLY
30	500068143	1	PIN	SPRING PIN D 10X70 DIN 1481;FOR SB4000 AND SB5200 ONLY
31	500068128	1	PIN	PIN;FOR SB4000 AND SB5200 ONLY
32	500068125	1	PLATE	DRAW PLATE FRONT;FOR SB4000 AND SB5200 ONLY
33	500068130	2	SLEEVE	SLEEVE. D40-70;FOR SB4000 AND SB5200 ONLY
34	500085809	4	O-RING	O-RING A40X1.75;FOR SB4000 AND SB5200 ONLY
35	500063135	8	SCREW	HEX HEAD M16X25;FOR SB4000 AND SB5200 ONLY
36	500030887	4	WASHER	WASHER M16;FOR SB4000 AND SB5200 ONLY
37	500068126	2	PLATE	WEAR PLATE 70 20-105;FOR SB4000 AND SB5200 ONLY
38	500068131	4	BUSHING	35/39/50X22 PDE-F;FOR SB4000 AND SB5200 ONLY

001



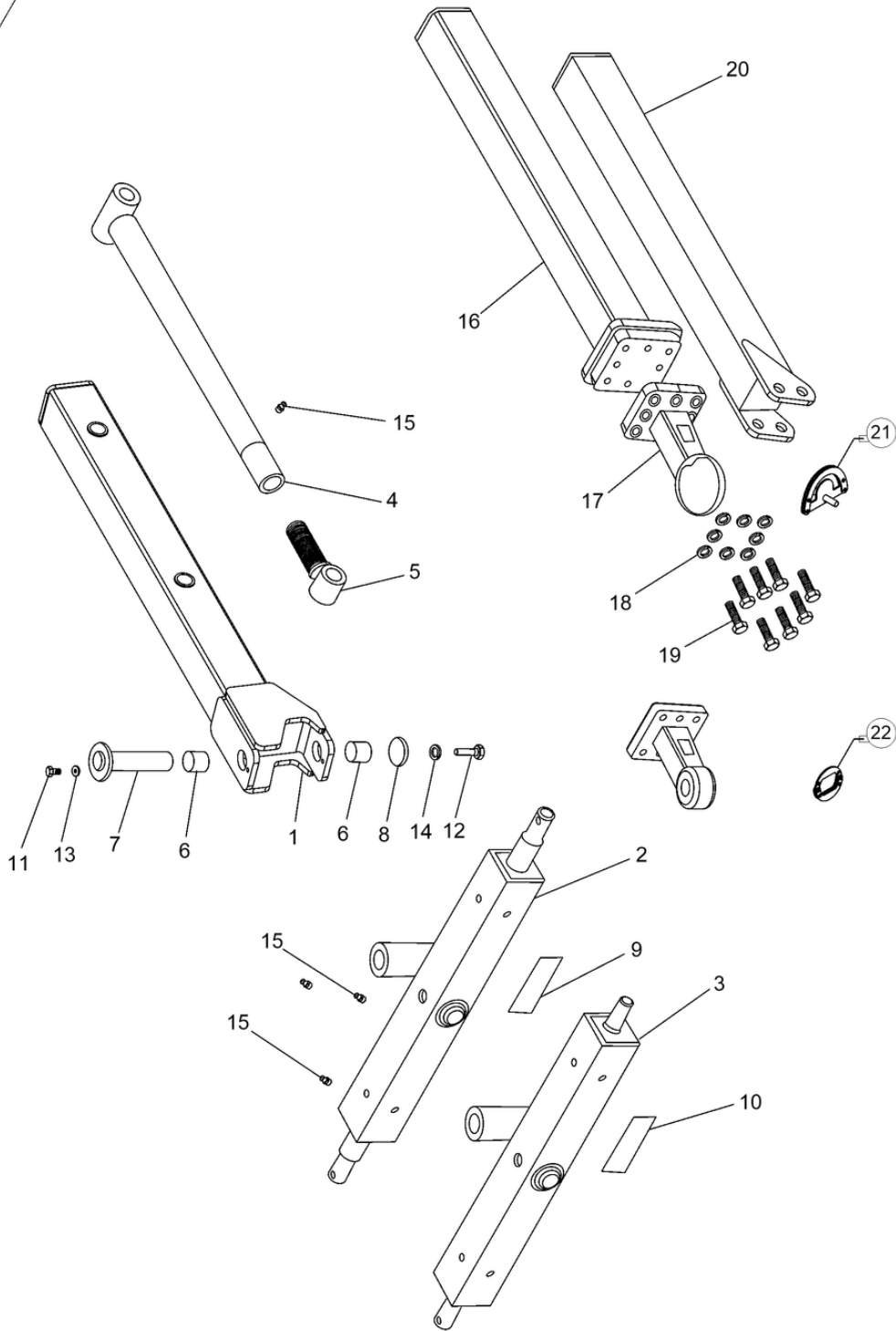
001

REF	PN	QTY	DESCRIPTION	USAGE
39	500053190	4	NUT	LOCK NUT M16;FOR SB4000 AND SB5200 ONLY
40	500068127	1	SUPPORT	FRONT PANEL;FOR SB4000 AND SB5200 ONLY
41	500068124	1	PLATE	DRAW PANEL REAR;FOR SB4000 AND SB5200 ONLY
42	500680513	1	HYDRAULIC CYLINDER	HYDRAULIC CYLINDER 80\50-150;FOR SB4000 AND SB5200 ONLY
43	500068513	1	SEAL KIT SEAL KIT	SEALING KIT FOR 500 680 513;FOR SB4000 AND SB5200 ONLY
44	500068856	1	PTO	PTO AXLE W 8 SPLINES;FOR SB4000 AND SB5200 ONLY
44	500068881	1	PTO SHAFT	PTO WITH WIDE ANGLE YOKE;FOR SB4000 AND SB5200 ONLY
44	500168811	1	AXLE	STANDARD PTO SHAFT;FOR SB4000 AND SB5200 ONLY
44	500168877	1	PTO	PTO-SHAFT WITH PIN-CLUTCH;FOR SB4000 ONLY
44	500168884	1	AXLE	PTO-SHAFT WITH PIN-CLUTCH;FOR SB5200 ONLY
45	500068149	1	INDICATOR	INDICATOR
46	500068150	1	INDICATOR	GUARD
47	500068151	1	PLATE	SCALE
48	300007625	1	HOLDER	
49	330024137	1	PROTECTOR	Anti-theft protection drawbar
50	330024138	1	PROTECTOR	Anti-theft protection drawbar
51	41653824100	1	PADLOCK	PADLOCK
52	330024038	1	SUPPORT	SUPPORT FOR ANTI-THEFT SYSTEM
53	812112-978X	1	CLAMP	CLAMP
54	303021284	1	BOLT	BOLT WITH HANDLE, M6 X 20

002

p1

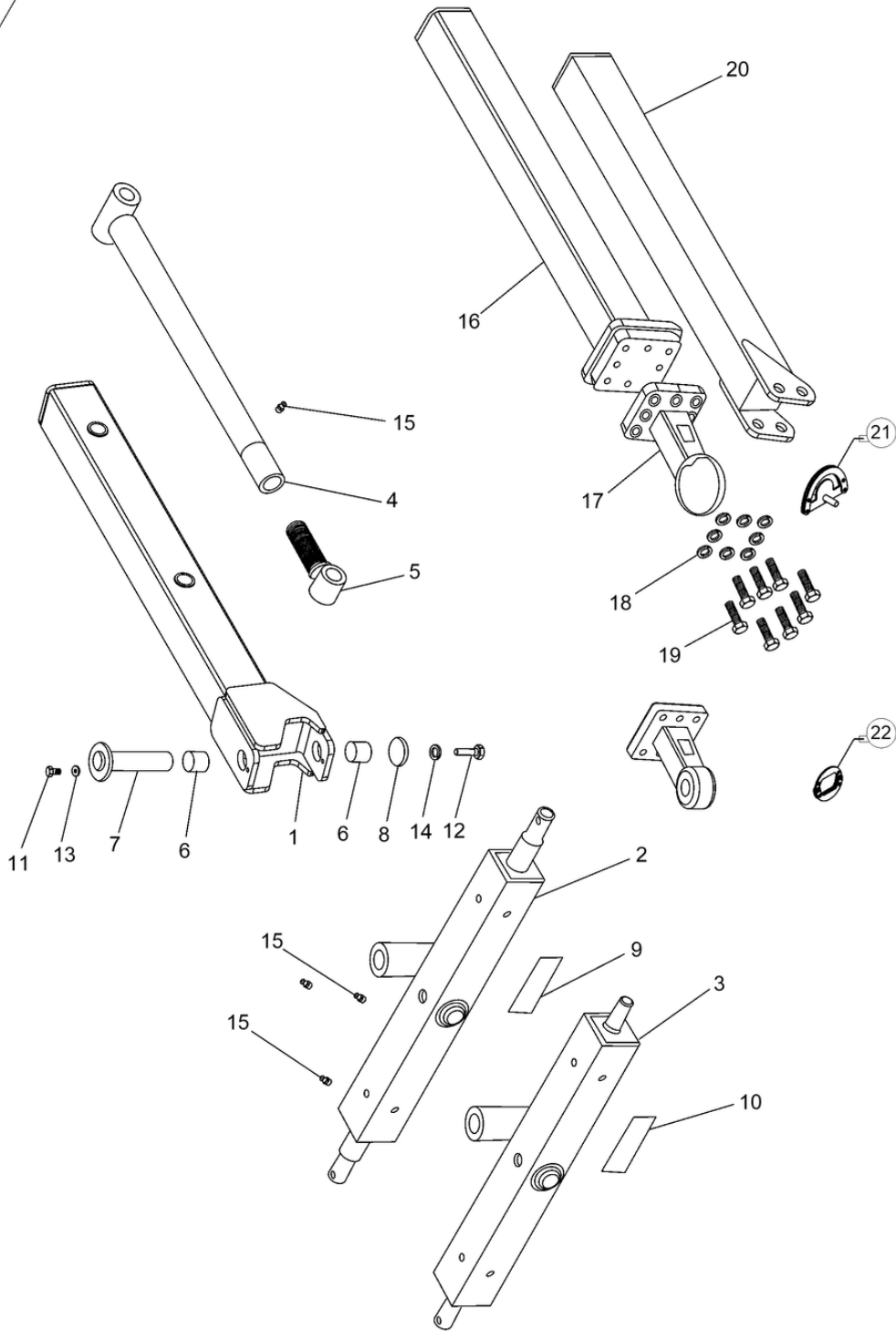
002



002

REF	PN	QTY	DESCRIPTION	USAGE
1	330040014	1		
2	500068156	1	HITCH	2-POINT HITCH CAT.3;FOR SB4000 AND SB5200 ONLY
3	500068101	1	DRAWBAR	2-POINT HITCH CAT.2;FOR SB4000 AND SB5200 ONLY
4	500068145	1	PLATE	ADJUSTMENT ARM
5	500068146	1	SCREW	ADJUSTING SCREW
6	500087593	2	BUSHING	BEARING 40/45 L=40;FOR SB4000 AND SB5200 ONLY
7	500068103	1	AXLE	AXLE GALV. D40-176;FOR SB4000 AND SB5200 ONLY
8	500068104	1	BUSHING	WASHER GALV. 8-10X60-65;FOR SB4000 AND SB5200 ONLY
9	300007559	1	DECAL	STICKER FOR 2-POINT LINKAGE CAT.3
10	300007558	1	LINK	STICKER FOR 2-POINT LINKAGE CAT.2;FOR SB4000 AND SB5200 ONLY
11	300304031	1	BOLT M10x20 CL 8.8 FZB DIN933	BOLT M10X20-8.8 FZB DIN933;FOR SB4000 AND SB5200 ONLY
12	500089310	1	SCREW	BOLT M16X40 12.9 DIN933;FOR SB4000 AND SB5200 ONLY
13	300332027	1	WASHER M10 FZB DIN126	WASHER M10 DIN126;FOR SB4000 AND SB5200 ONLY
14	300332018	1	WASHER DIN127 M16	SPRING WASHER M16 FZB DIN127B;FOR SB4000 AND SB5200 ONLY
15	300421006	3	NIPPLE M8x1 DIN71412	GREASE NIPPLE M8X1;FOR SB4000 AND SB5200 ONLY
16	300362100	1	EXTENSION	DRAWBAR EXTENSION WITH FLANGE
17	372006208	1	PLATE	TOWING EYE K80;FOR SB4000 AND SB5200 ONLY
18	300332018	8	WASHER DIN127 M16	SPRING WASHER M16 FZB DIN127B;FOR SB4000 AND SB5200 ONLY
19	300304095	8	BOLT M16x60 CL 10.9 DACROMET DIN931	BOLT M16X10 10,9 ISO 4014;FOR SB4000 AND SB5200 ONLY

002



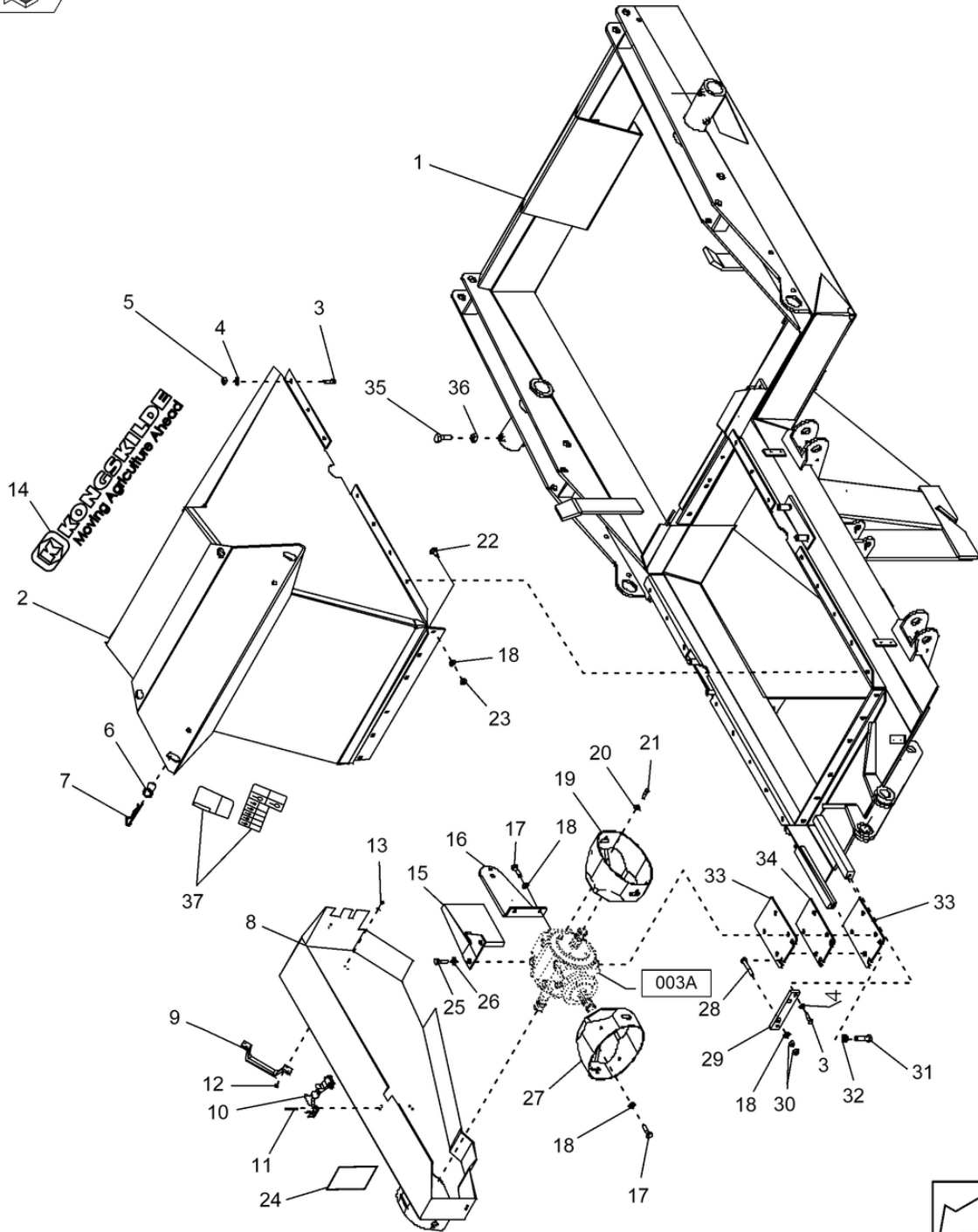
002

p2

002

REF	PN	QTY	DESCRIPTION	USAGE
20	500068148	1	EXTENSION	DRAWBAR EXTENSION FOR CLEVIS (USA)
21	330024137	1	PROTECTOR	Anti-theft protection for the K80 drawbar
22	330024138	1	PROTECTOR	Anti-theft protection for ?50 and ?40 drawbars

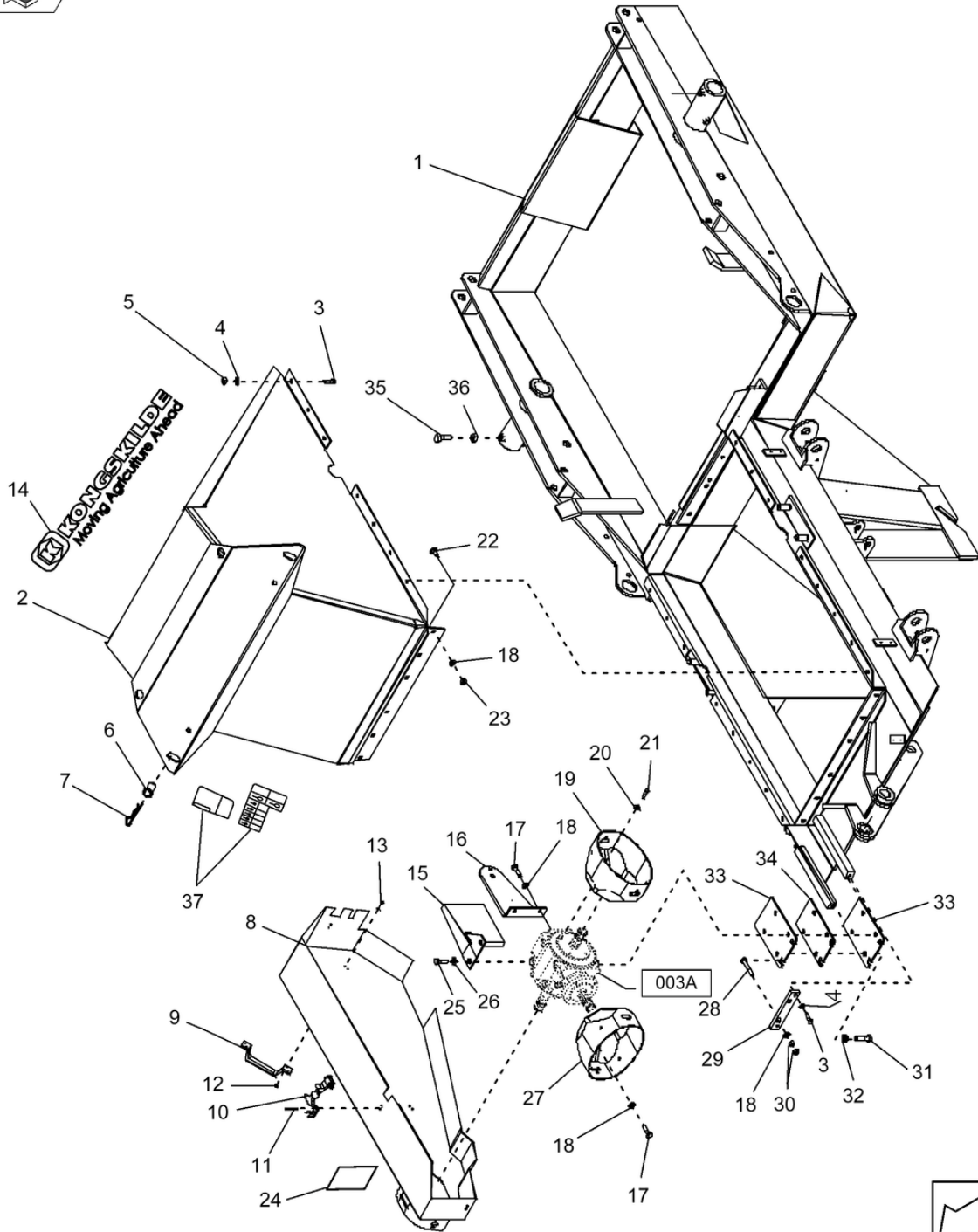
003



003

REF	PN	QTY	DESCRIPTION	USAGE
1	500068120	1	FRAME	FRAME;FOR SB4000 AND SB5200 ONLY
2	500068121	1	COVER	ROTOR GUARD;FOR SB4000 AND SB5200 ONLY
3	500030958	22	SCREW	HEX HEAD M10X25;FOR SB4000 AND SB5200 ONLY
4	500010607	22	WASHER	WASHER M10;FOR SB4000 AND SB5200 ONLY
5	500057379	22	NUT	LOCK NUT M10;FOR SB4000 AND SB5200 ONLY
6	500090256	2	LOCK PIN	RAKE LOCKING PIN;FOR SB4000 AND SB5200 ONLY
7	500040929	2	LOCK PIN	PIN D 6X118 DIN11024;FOR SB4000 AND SB5200 ONLY
8	500068871	1	SHIELD	BELT SHIELD;FOR SB4000 AND SB5200 ONLY
9	500013239	2	GUARD	HANDLE;FOR SB4000 AND SB5200 ONLY
10	7000356315	3	RUBBER STRIP	RUBBER STRAP;FOR SB4000 AND SB5200 ONLY
11	500095304	12	RIVET	DRAW RIVET 4.0X14;FOR SB4000 AND SB5200 ONLY
12	500030528	12	SCREW	M5X16 DIN 965;FOR SB4000 AND SB5200 ONLY
13	300316025	12	LOCK NUT DIN985 M5	LOCK NUT M5;FOR SB4000 AND SB5200 ONLY
14	300002921	1	DECAL	STICKER KONGSKILDE;FOR SB4000 AND SB5200 ONLY
15	500068873	1	FRAME	CENTER GUARD;FOR SB4000 AND SB5200 ONLY
16	500068875	1	SUPPORT	WIRE KNOT BRACKET;FOR SB4000 AND SB5200 ONLY
17	500030949	6	BOLT	HEX HEAD M12X25;FOR SB4000 AND SB5200 ONLY
18	500010462	6	WASHER	WASHER M12;FOR SB4000 AND SB5200 ONLY
19	330044074	1	GUARD	PTO GUARD BLACK OVAL SHORT;FOR SB4000 AND SB5200 ONLY

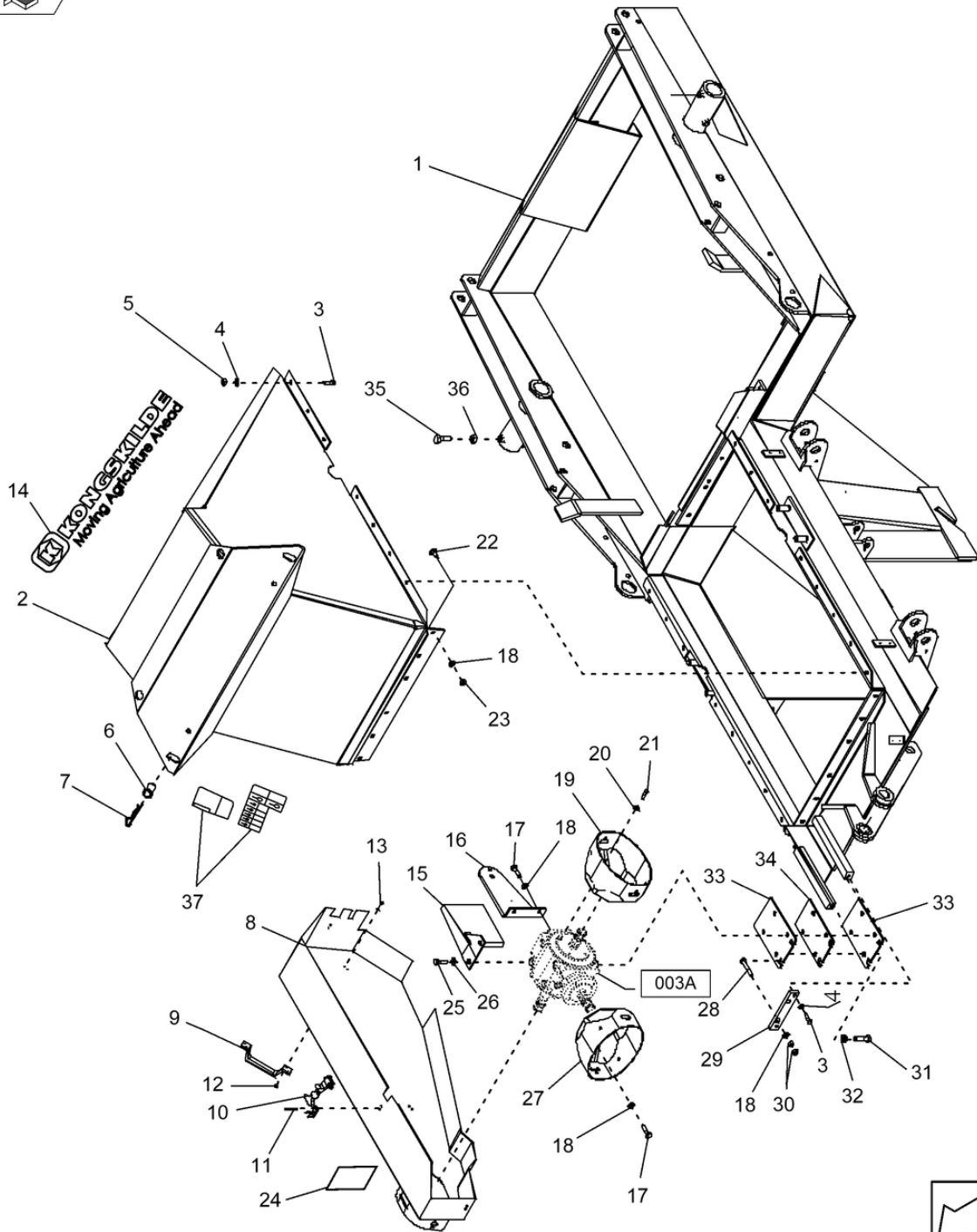
003



003

REF	PN	QTY	DESCRIPTION	USAGE
20	500010784	4	WASHER	WASHER M8;FOR SB4000 AND SB5200 ONLY
21	500053363	3	SCREW	HEX HEAD M8X20;FOR SB4000 AND SB5200 ONLY
22	300304180	6	BOLT	LOCK SCREW M12X30;FOR SB4000 AND SB5200 ONLY
23	4732212290	6	LOCK NUT	LOCK NUT M12;FOR SB4000 AND SB5200 ONLY
24	500008867	1	DECAL	Z-123 SAFETY STICKER 10;FOR SB4000 AND SB5200 ONLY
25	500063135	2	SCREW	HEX HEAD M16X25;FOR SB4000 AND SB5200 ONLY
26	500030887	2	WASHER	WASHER M16;FOR SB4000 AND SB5200 ONLY
27	330044074	1	GUARD	PTO GUARD BLACK OVAL LONG;FOR SB4000 AND SB5200 ONLY
28	500061943	2	SCREW	SCREW M12X80 DIN933;FOR SB4000 AND SB5200 ONLY
29	500068865	1	PLATE	BRACKET 40X12X191;FOR SB4000 AND SB5200 ONLY
30	300315003	4	NUT M12 CL 8 FZB DIN934	NUT M12 D.8 DIN934;FOR SB4000 AND SB5200 ONLY
31	500089310	4	SCREW	HEX HEAD 12.9 M16X40;FOR SB4000 AND SB5200 ONLY
32	500040151	4	WASHER	SPRING WASHER M16;FOR SB4000 AND SB5200 ONLY
33	500068862	2	PLATE	MOUNTING PLATE;FOR SB4000 AND SB5200 ONLY
34	500068864	1	PLATE	PLATE 224X132 NJA024B;FOR SB4000 AND SB5200 ONLY
35	500059102	4	BOLT	CLAMPING BOLT M16X50;FOR SB4000 AND SB5200 ONLY
36	300315006	4	LOCK NUT DIN985 M16	NUT M16;FOR SB4000 AND SB5200 ONLY
37	NS	1	NOT SERVICED	(350257600) DECAL KIT SB a?? HOPPER;FOR SB4000 AND SB5200 ONLY

003



003

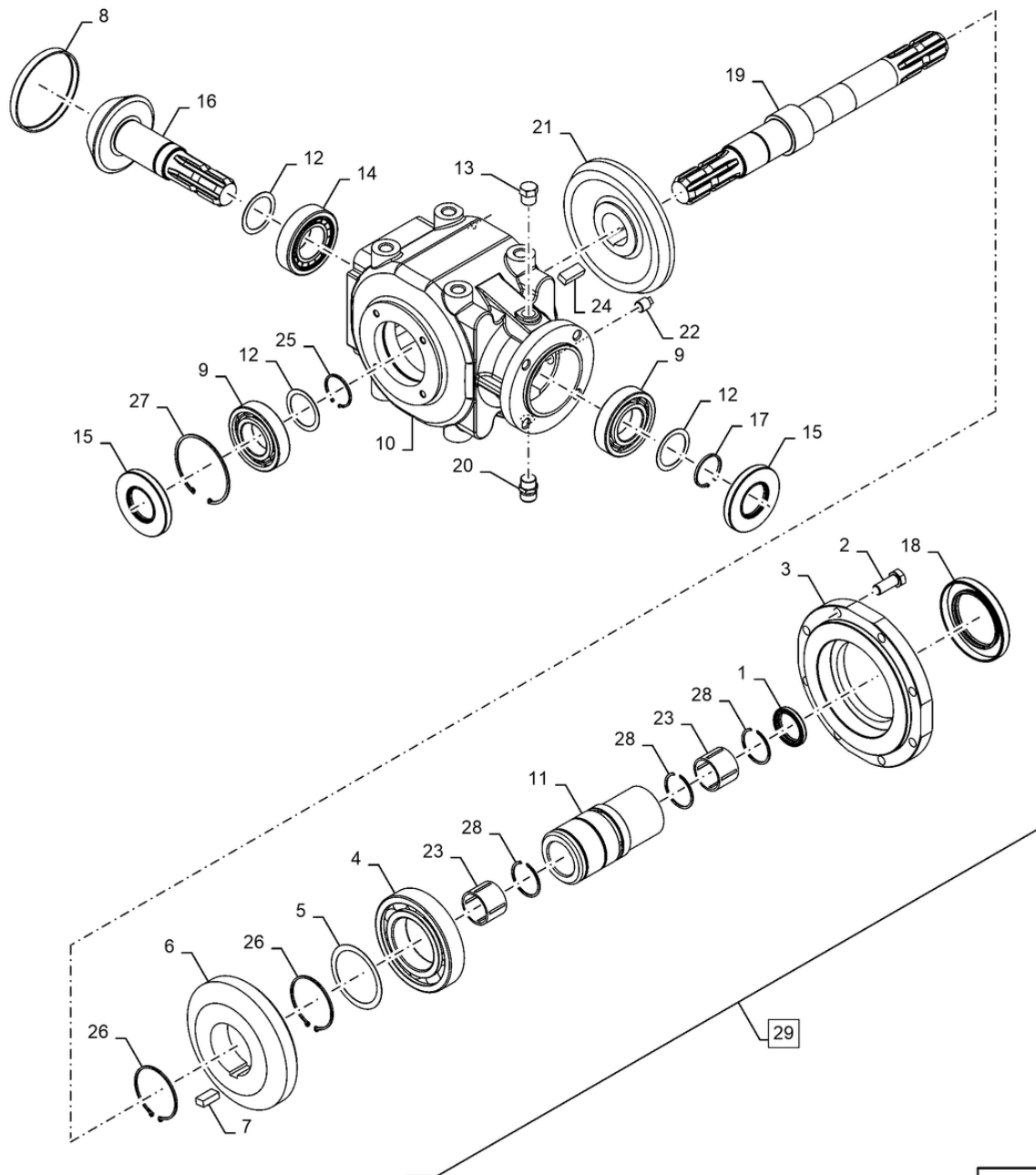
REF	FIGURE NUMBER	FIGURE NAME
-----	---------------	-------------

003A	003A	GEAR BOX , STONEBEAR
------	------	----------------------

003A

p1

GEAR BOX , STONEBEAR



003A

p1

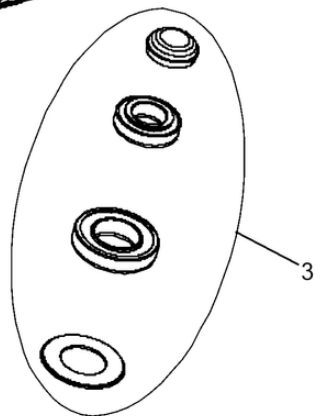
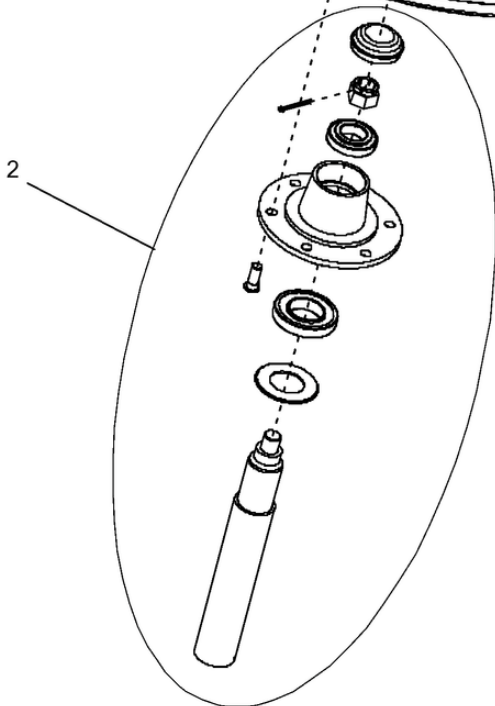
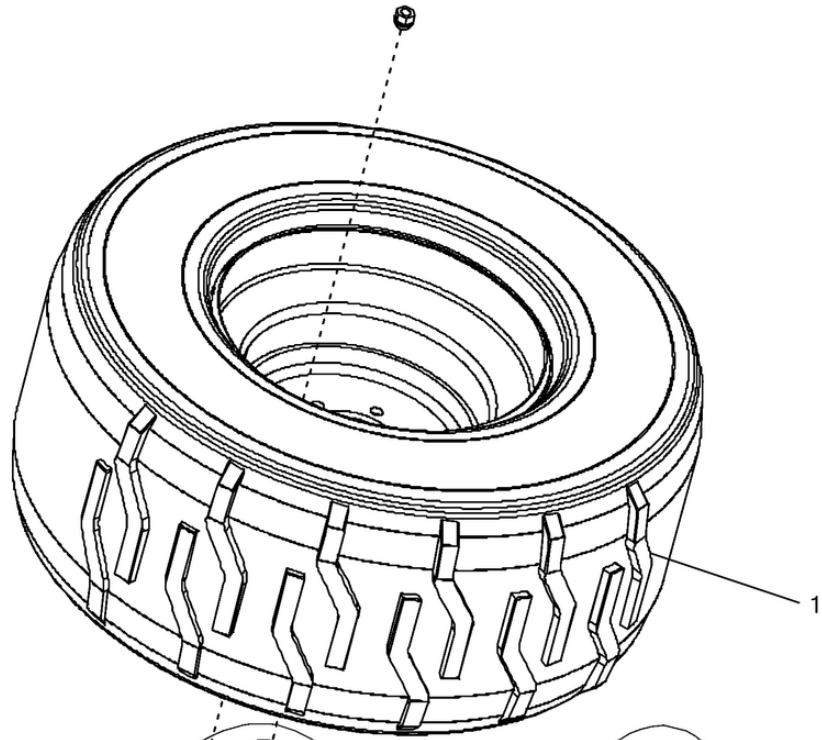
GEAR BOX , STONEBEAR

REF	PN	QTY	DESCRIPTION	USAGE
1	330040021	1	OIL SEAL	
2	330040022	8	BOLT	
3	330040023	1	BEARING, ROLLER, CYL	
4	330040024	1	BEARING, ROLLER, CYL	
5	330040025	1	SHIM	
6	330040026	1	GEAR	
7	330040027	1	KEY	
8	330040028	1	CAP	
9	330040029	2	BEARING, ROLLER, CYL	
10	330040030	1	HOUSING	
11	330040031	1	SHAFT	
12	330040032	3	SHIM	
13	330040033	1	PLUG	
14	330040034	1	BEARING, ROLLER, CYL	
15	330040035	2	OIL SEAL	
16	330040036	1	SHAFT	
17	330040037	1	SNAP RING	
18	330040038	1	OIL SEAL	
19	330040039	1	SHAFT	
20	330040040	1	PLUG	
21	330040041	1	GEAR	
22	330040042	1	PLUG	
23	330040043	2	BEARING, ROLLER, CYL	
24	330040044	1	KEY	
25	330040045	1	SNAP RING	
26	330040046	2	SNAP RING	
27	330040047	1	SNAP RING	
28	330040048	3	SNAP RING	
29	500680861	1	GEARBOX	Incl 1 - 28

004

p1

004



004

p1

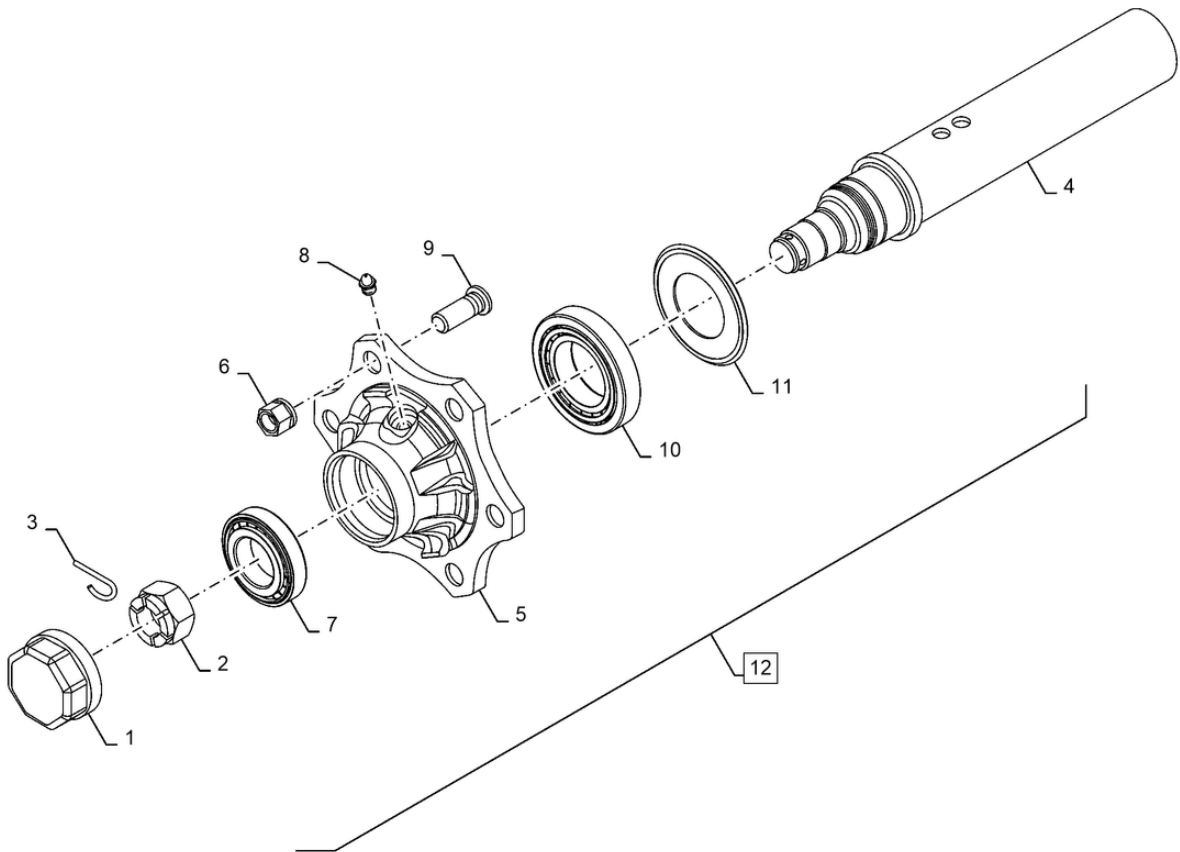
004

REF	PN	QTY	DESCRIPTION	USAGE
1	500350915	2	TYRE/TIRE	TYRE ALLIANCE FL 09 500/60X25;FOR SB4000 AND SB5200 ONLY
2	500068102	2	HUB	BEARING HUB;FOR SB4000 AND SB5200 ONLY; (SN Break) Before KTNKA801V00001751
3	500068901	2	RING	TYRE ALLIANCE FL 09 700/45/22,5;FOR SB4000 AND SB5200 ONLY

004A

p1

DRIVESHAFT



004A

p1

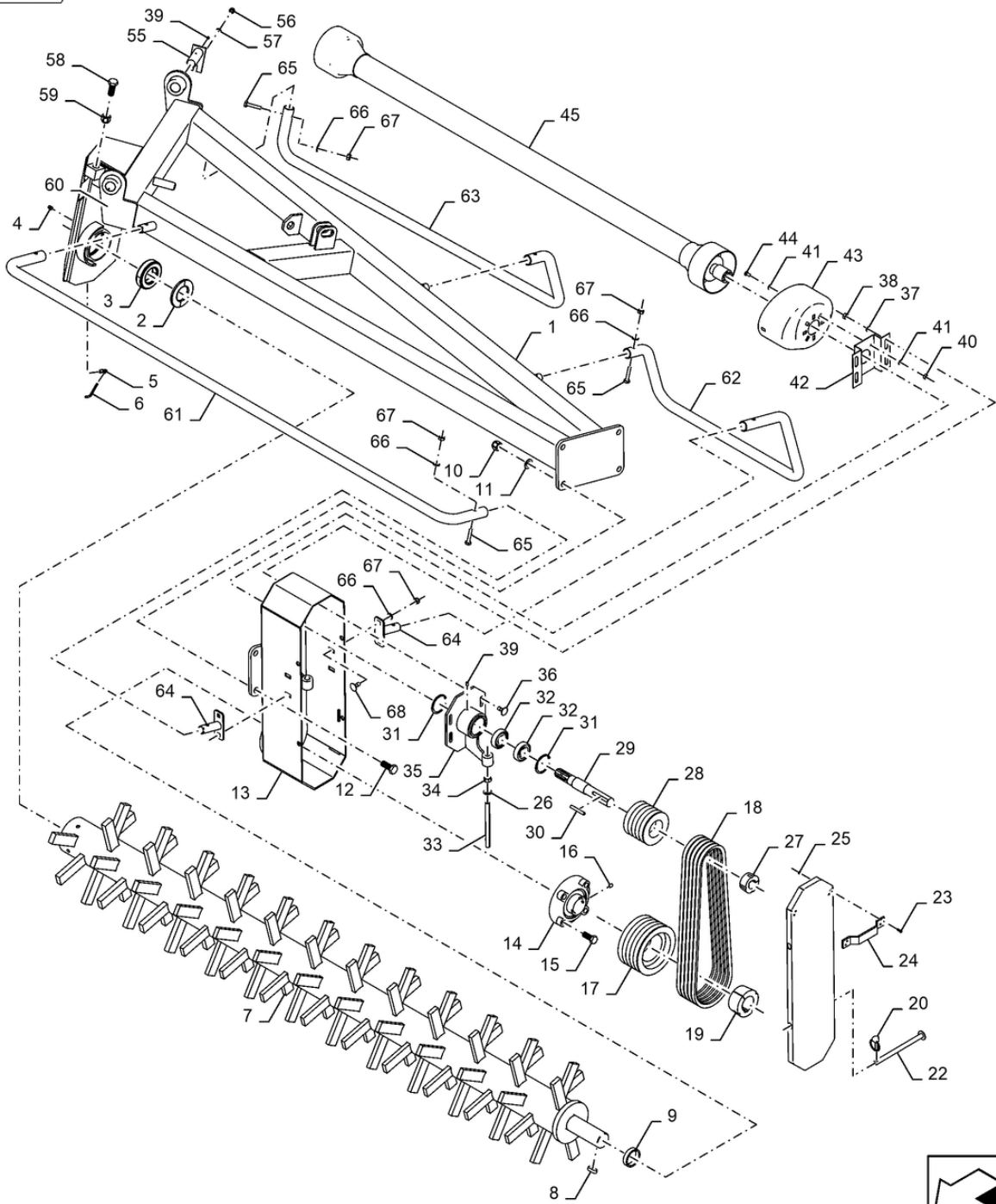
DRIVESHAFT

REF	PN	QTY	DESCRIPTION	USAGE
1	330044021	1	CAP	CAP 080 PUSH ON ADR OCTAGONAL
2	330044022	1	CROWN NUT	CROWN NUT M39x1.50 WR50 H28
3	330044023	1	PIN	SPRING PIN FOR NUT M39
4	330044024	1	STUB AXLE/STEERING S	BODY STUBAXLE S070 LAM FF0403
5	330044025	1	HUB	HUB H06 18 080-0100 160-205
6	330044026	6	STUD	STUD NUT M18x1.50 CH24 GERMAN TYPE
7	330044027	1	BEARING, ROLLER, CYL	TAPER ROLLER BEARING 30208 040 080 19.75
8	330044028	1	LUBE NIPPLE	GREASE NIPPLE STRAIGHT M08X1,25
9	330044029	6	STUD	STUD M18x 1,50 L054
10	330044030	1	BEARING, ROLLER, CYL	TAPER ROLLER BEARING 3213X 065 100 23
11	330044031	1	OIL SEAL	AGRICULTURAL GREASE SEAL
12	330044019	1	HUB	Incl 1 - 11; (SN Break) After KTNKA801V00001752

005

p1

005



005

p1

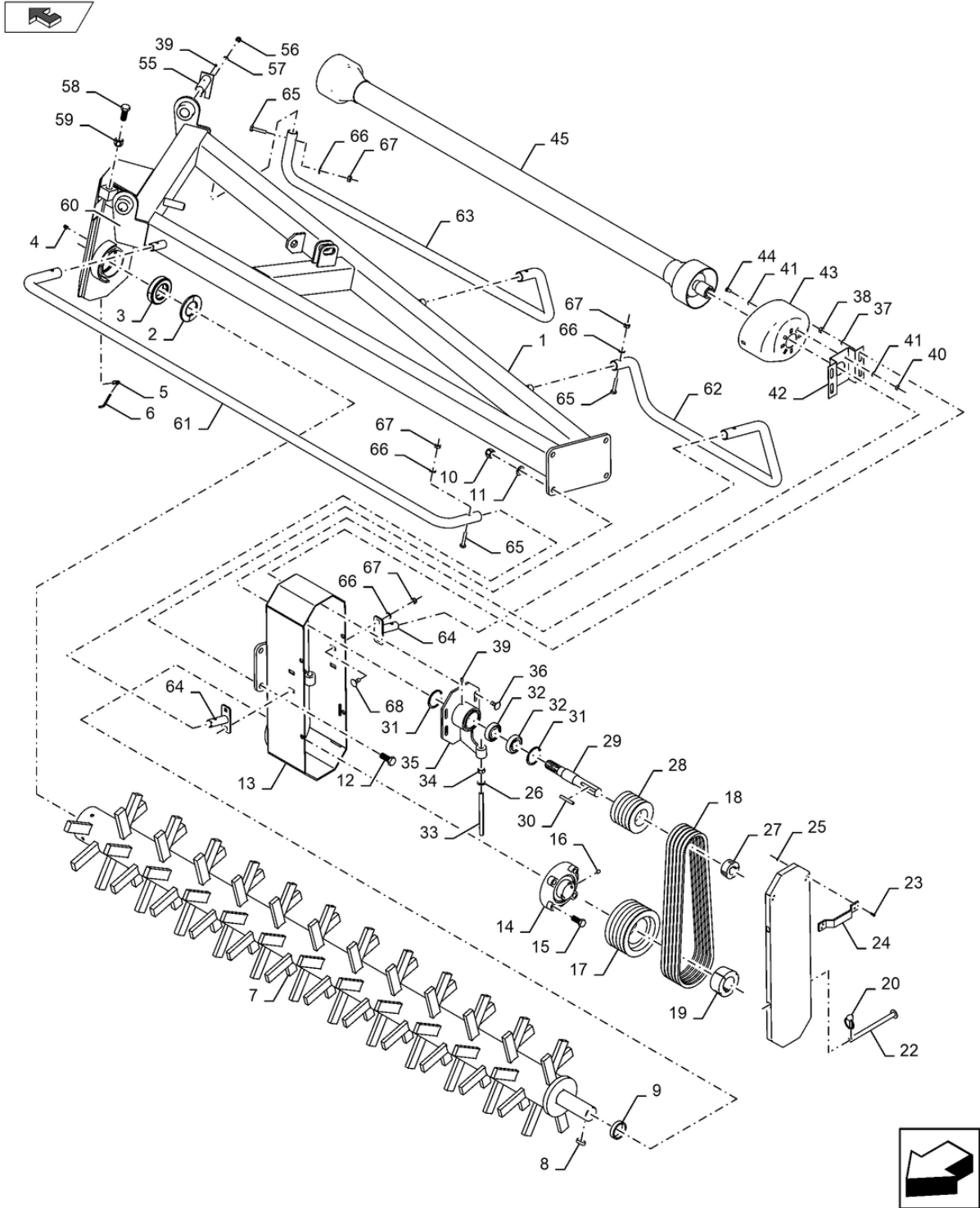
005

REF	PN	QTY	DESCRIPTION	USAGE
1	500068246	1	FRAME	FOR SB4000 ONLY
1	500068247	1	FRAME	FOR SB4000 ONLY
1	500068255	1	FRAME	FOR SB5200 ONLY
1	500068256	1	FRAME	FOR SB5200 ONLY
2	500068241	2	SEAL	Z-LAMELL;FOR SB4000 ONLY
2	500068260	2	SEAL	SEAL FOR 2212;FOR SB5200 ONLY
3	500068214	2	BALL BEARING	BALL BEARING 2211 RS O100 - 25X55;FOR SB4000 ONLY
3	500068261	2	BALL BEARING	BALL BEARING 2212 RS O110 - 28X60;FOR SB5200 ONLY
4	500068249	2	FITTING	ADAPTER STONE BEAR;FOR SB4000 AND SB5200 ONLY
5	500068250	2	ELBOW	SLEEVE STONE BEAR;FOR SB4000 AND SB5200 ONLY
6	500003303	2	PIN	GREASE PIN;FOR SB4000 AND SB5200 ONLY
7	500068244	1	RAKE	FOR SB4000 AND SB5200 ONLY
7	500068245	1	RAKE	FOR SB4000 AND SB5200 ONLY
7	500068258	1	RAKE	FOR SB5200 ONLY
7	500068259	1	RAKE	FOR SB5200 ONLY
8	500068210	2	KEY	KEY 18X11-27 18X11X40;FOR SB4000 AND SB5200 ONLY
9	500068212	2	BUSHING	BUSH;FOR SB4000 AND SB5200 ONLY
10	500053463	8	LOCK NUT	LOCK NUT M20;FOR SB4000 AND SB5200 ONLY
11	500053942	8	TRAY	WASHER M20;FOR SB4000 AND SB5200 ONLY
12	500068248	8	BOLT	HEX HEAD M20X50;FOR SB4000 AND SB5200 ONLY
13	500068203	1	GUARD	FOR SB4000 AND SB5200 ONLY
13	500068217	1	TOOL BOX	FOR SB4000 AND SB5200 ONLY
14	500068211	2	FLANGED BEARING	UCFC 212;FOR SB4000 AND SB5200 ONLY
15	500053227	8	BOLT	HEX HEAD M16X50;FOR SB4000 AND SB5200 ONLY
16	300421002	2	LUBE NIPPLE DIN71412 M6x1 H1	LUBRICATION NIPPLE M6;FOR SB4000 AND SB5200 ONLY

005

p2

005



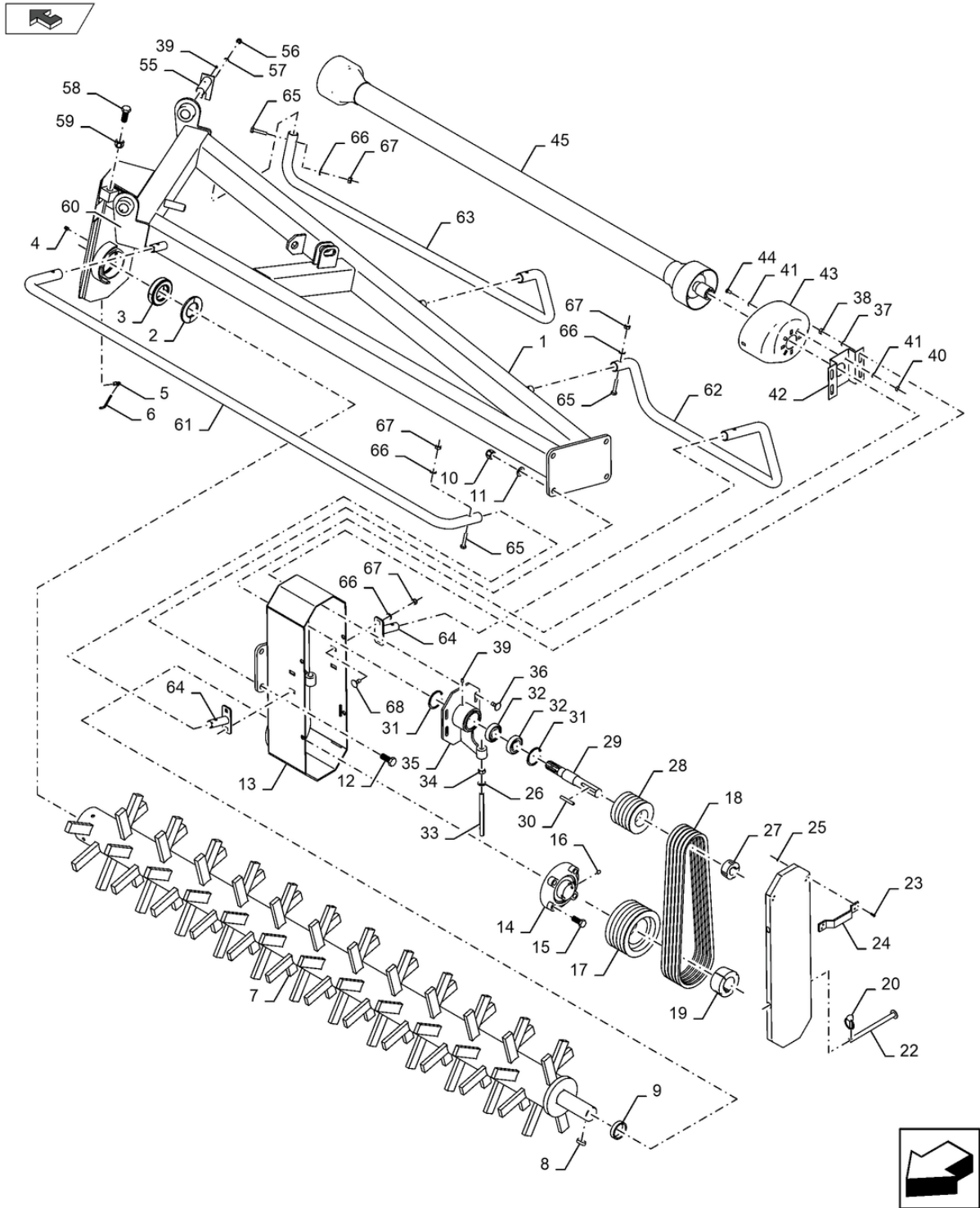
005

REF	PN	QTY	DESCRIPTION	USAGE
17	500068869	2	PULLEY	SPB DM=190-5/3020;FOR SB4000 AND SB5200 ONLY
18	500068209	10	BELT	XPB1600 (REPLACE 5PC);FOR SB4000 AND SB5200 ONLY
19	500068842	2	SLEEVE	D60/3020;FOR SB4000 AND SB5200 ONLY
20	500040150	4	PIN	LINCH PIN D9;FOR SB4000 AND SB5200 ONLY
21	500068221	2	GUARD	GUARD;FOR SB4000 AND SB5200 ONLY
22	500068240	4	LOCK PIN	PIN;FOR SB4000 AND SB5200 ONLY
23	500030528	8	SCREW	M5X16 DIN 965;FOR SB4000 AND SB5200 ONLY
24	500013239	2	GUARD	HANDLE;FOR SB4000 AND SB5200 ONLY
25	300316025	8	LOCK NUT DIN985 M5	LOCK NUT M5;FOR SB4000 AND SB5200 ONLY
26	500030887	2	WASHER	WASHER M16;FOR SB4000 AND SB5200 ONLY
27	500068874	2	SLEEVE	D35/2012;FOR SB4000 AND SB5200 ONLY
28	500068868	2	PULLEY	SPB DM=125-5/2012;FOR SB4000 AND SB5200 ONLY
29	500068205	2	FRAME	AXLE;FOR SB4000 AND SB5200 ONLY
30	300323118	2	KEY 10 x 8-70 DIN 6885A	KEY10X8-70 DIN 6885 A;FOR SB4000 AND SB5200 ONLY
31	500086140	4	CIRCLIP	CIRCLIP W72X2.5 DIN472;FOR SB4000 AND SB5200 ONLY
32	500031184	4	BALL BEARING	BALL BEARING 6207 RS;FOR SB4000 AND SB5200 ONLY
33	500068206	2	BOLT	TURNING BAR;FOR SB4000 AND SB5200 ONLY
34	300315006	6	LOCK NUT DIN985 M16	NUT M16 DIN934;FOR SB4000 AND SB5200 ONLY
35	500068202	2	BEARING HOUSING	BEARING HOUSING;FOR SB4000 AND SB5200 ONLY

005

p3

005



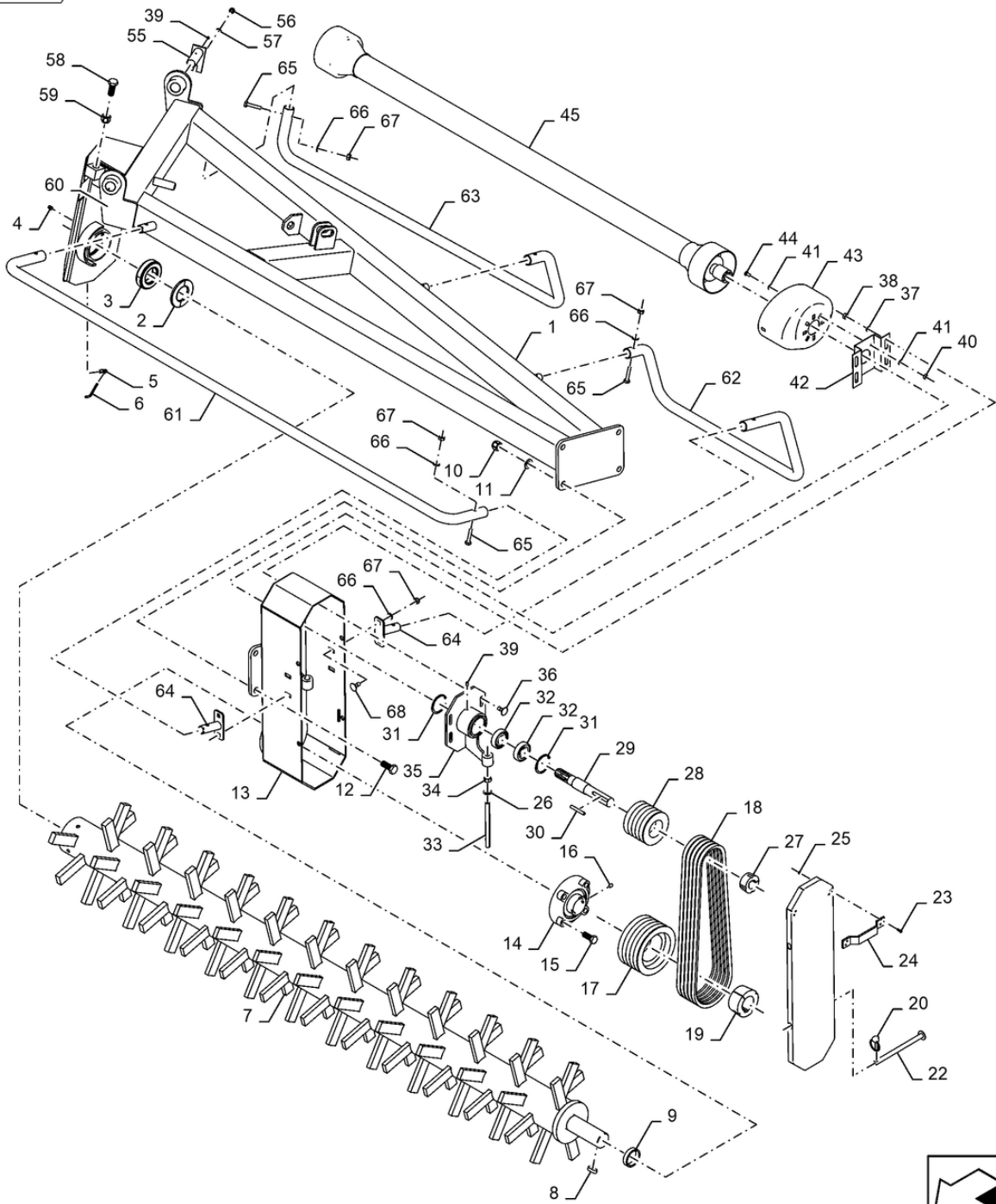
005

REF	PN	QTY	DESCRIPTION	USAGE
36	300304180	8	BOLT	SCREW M12X30 DIN603;FOR SB4000 AND SB5200 ONLY
37	500010462	8	WASHER	WASHER M12;FOR SB4000 AND SB5200 ONLY
38	300315003	10	NUT M12 CL 8 FZB DIN934	NUT M12;FOR SB4000 AND SB5200 ONLY
39	500010761	6	NIPPLE	LUBRICATION NIPPLE M8X1.25;FOR SB4000 AND SB5200 ONLY
40	500030969	4	NUT	NUT M8;FOR SB4000 AND SB5200 ONLY
41	500035169	8	WASHER	WASHER M8;FOR SB4000 AND SB5200 ONLY
42	500068828	2	COVER	SHAFT GUARD;FOR SB4000 AND SB5200 ONLY
43	330044070	2	GUARD	GUARD;FOR SB4000 AND SB5200 ONLY
44	500063548	8	BOLT	LOCK SCREW M8X16 DIN 603;FOR SB4000 AND SB5200 ONLY
45	500168810	1	AXLE	FOR SB4000 AND SB5200 ONLY
45	500168841	1	AXLE	FOR SB4000 AND SB5200 ONLY
45	500168841	1	AXLE	FOR SB4000 AND SB5200 ONLY
45	500168883	1	AXLE	FOR SB4000 AND SB5200 ONLY
55	500068201	2	PIN	PIN D35 L125;FOR SB4000 AND SB5200 ONLY
56	300304028	4	BOLT	HEX HEAD M10X16;FOR SB4000 AND SB5200 ONLY
57	500010607	4	WASHER	WASHER M10;FOR SB4000 AND SB5200 ONLY
58	500066552	2	SCREW	HEX HEAD M24X65;FOR SB4000 AND SB5200 ONLY
59	500057259	2	NUT	NUT M24;FOR SB4000 AND SB5200 ONLY
60	NS	2	NOT SERVICED	REFLEX O68.4 WHITE;FOR SB4000 AND SB5200 ONLY
61	330040068	1	COVER	Front security cover the rotors - SB5200_DK GREY
61	330040074	1	HOLDER	Front security cover the rotors - SB4000_DK GREY

005

p4

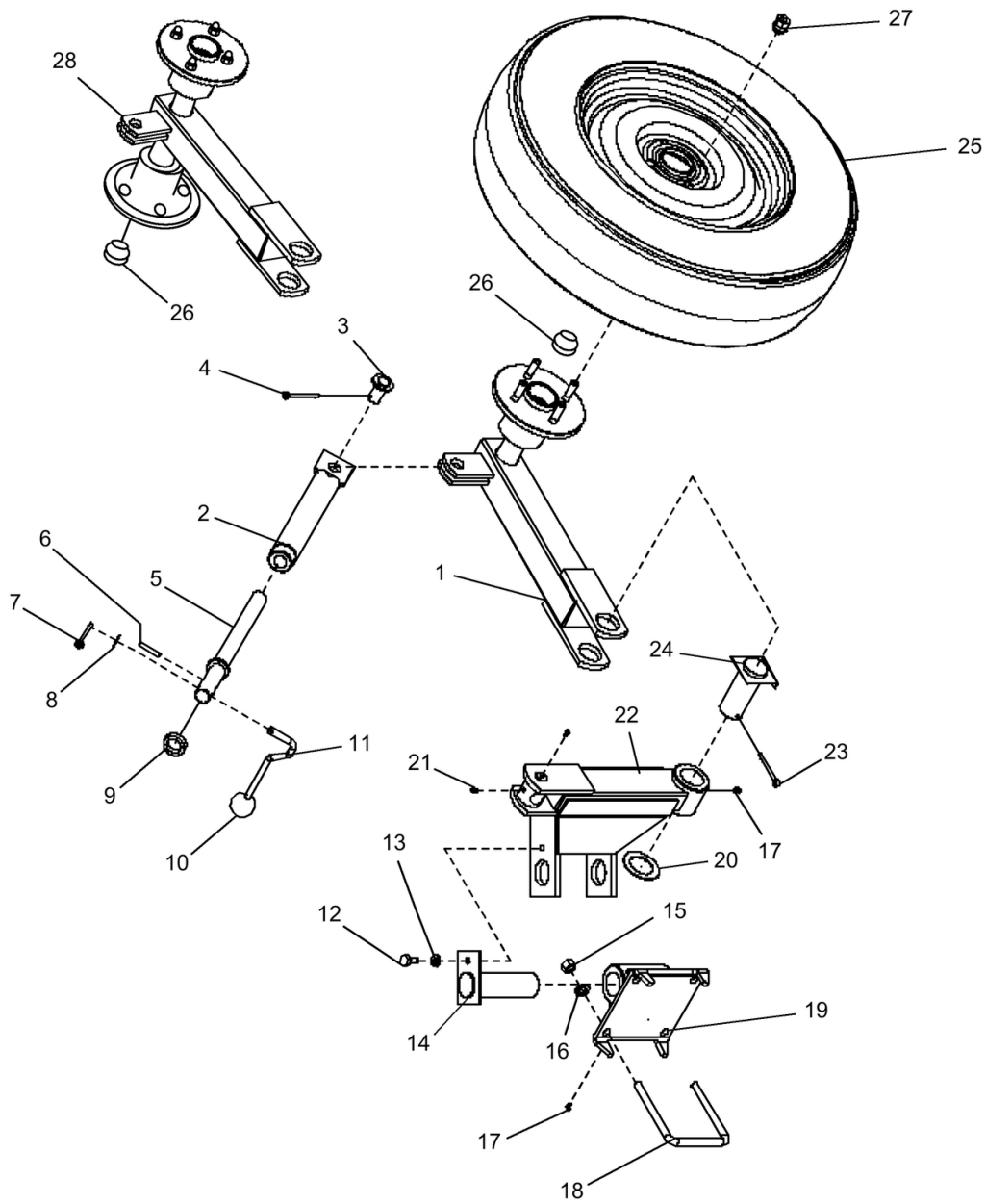
005



005

REF	PN	QTY	DESCRIPTION	USAGE
62	330040070	1	COVER	Rear security cover the rotors - in side - SB5200_DK GREY, LH
62	330040078	1	COVER	Rear security cover the rotors - in side - SB4000_DK GREY, LH
62	330040084	1	COVER	Rear security cover the rotors - outside - SB4000_ DK GREY, RH
62	330040082	1	COVER	Rear security cover the rotors - outside - SB5200_ DK GREY, RH
63	330040069	1	COVER	Rear security cover the rotors - outside - SB5200_ DK GREY, LH
63	330040076	1	COVER	Rear security cover the rotors - outside - SB4000_ DK GREY, LH
63	330040086	1	COVER	Rear security cover the rotors - in side - SB4000_DK GREY, RH
63	330040080	1	COVER	Rear security cover the rotors - in side - SB5200_DK GREY, RH
64	330040072	2	HOLDER	Safety shield holder screwed - assembly_DK GREY
65	300512	6	BOLT Hex, M12 x 1.75 x 55mm, Cl 8.8	BOLT, M12X55 8.8 ZND
66	300316021	10	LOCK NUT M12 CL 8 FZB DIN985	NUT ISO M12 cl.8 FZB DIN985
67	86511324	10	WASHER 13mm ID x 24mm OD x 2.5mm Thk	WASHER, 13X24X2.5 MM CST ZND
68	335890	4	CARRIAGE BOLT Sq Nk, M12 x 1.75 x 30mm, Cl 8.8, Full Thd	BOLT, RDH SQNK M12X30 8.8 ZND

006



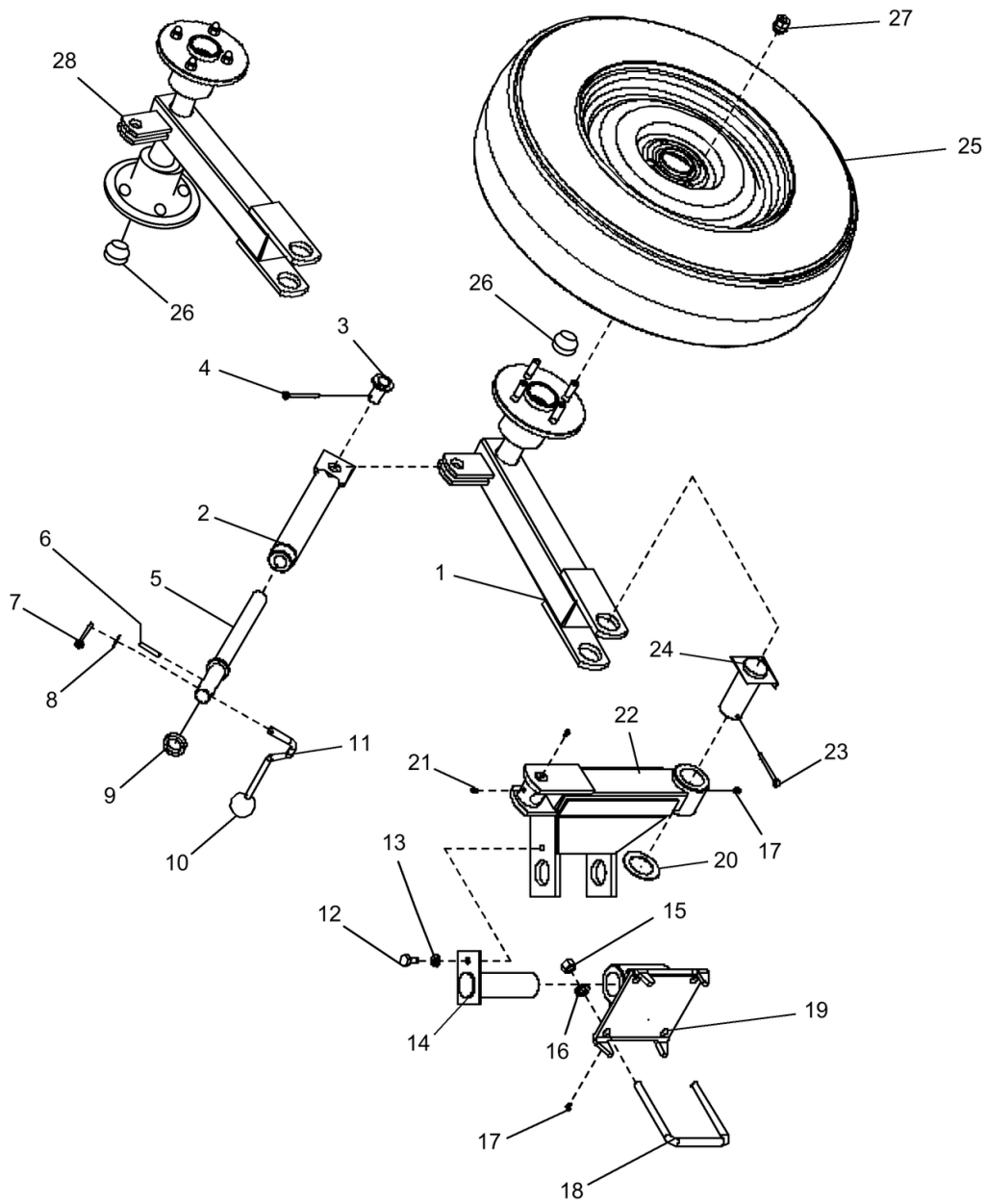
006

p1

006

REF	PN	QTY	DESCRIPTION	USAGE
1	500068235	1	HUB	FOR SB4000 ONLY
1	500068236	1	HUB	FOR SB4000 ONLY
1	500068257	2	SUPPORT	WHEEL FRAME 5.2M;FOR SB5200 ONLY
2	500058223	2	TUBE	REGULATOR TUBE;FOR SB4000 AND SB5200 ONLY
3	500041109	2	PIN	AXLE PIN;FOR SB4000 AND SB5200 ONLY
4	500010459	2	COTTER PIN	PIN 5X32 DIN 94;FOR SB4000 AND SB5200 ONLY
5	500068239	2	ADJUSTMENT SCREW	ADJUSTMENT SCREW;FOR SB4000 AND SB5200 ONLY
6	500031531	2	HYDRAULIC CYLINDER	SPRING PIN D5X36;FOR SB4000 AND SB5200 ONLY
7	500010463	2	COTTER PIN	COTTER PIN 5X32;FOR SB4000 AND SB5200 ONLY
8	500010607	2	WASHER	WASHER M10;FOR SB4000 AND SB5200 ONLY
9	500056642	2	RING	STOP RING;FOR SB4000 AND SB5200 ONLY
10	300323004	2	HANDLE	M10 DIN 319;FOR SB4000 AND SB5200 ONLY
11	500030558	2	BELLCRANK	CRANK;FOR SB4000 AND SB5200 ONLY
12	300304028	2	BOLT	HEX HEAD M10X16;FOR SB4000 AND SB5200 ONLY
13	300332021	2	WASHER M10 FZB DIN127B	SPRING WASHER M10;FOR SB4000 AND SB5200 ONLY
14	500068231	2	AXLE	AXLE;FOR SB4000 AND SB5200 ONLY
15	4732212290	8	LOCK NUT	LOCK NUT M12;FOR SB4000 AND SB5200 ONLY
16	500010462	8	WASHER	WASHER M12;FOR SB4000 AND SB5200 ONLY
17	500010761	4	NIPPLE	LUBRICATION NIPPLE M8X1.25;FOR SB4000 AND SB5200 ONLY
18	500068229	4	U-BOLT	U BOLT;FOR SB4000 AND SB5200 ONLY

006



006

p2

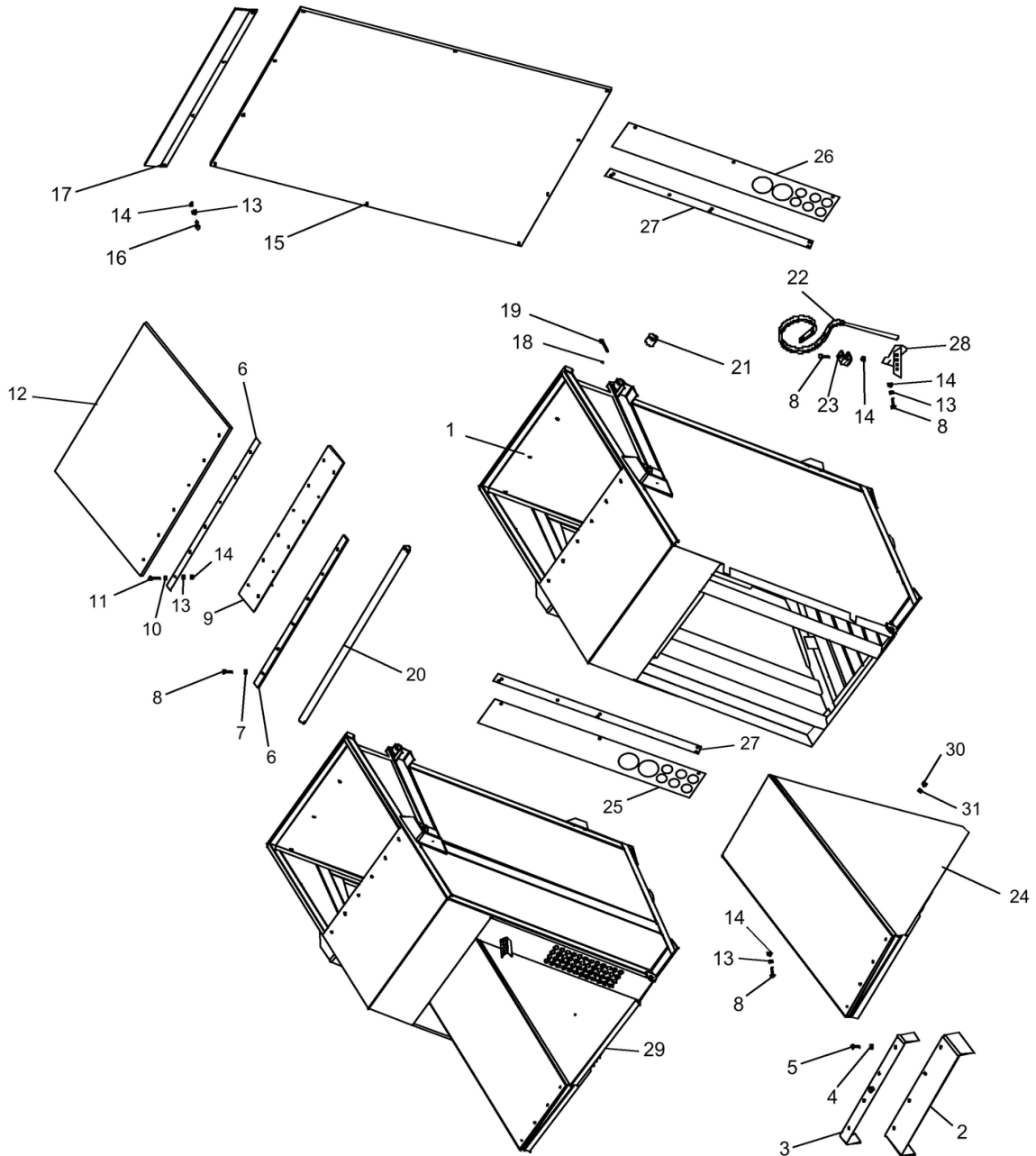
006

REF	PN	QTY	DESCRIPTION	USAGE
19	500068230	2	BRACKET	FIXING PLATE;FOR SB4000 AND SB5200 ONLY
20	500052684	2	WASHER	WASHER 41X63X1.5;FOR SB4000 AND SB5200 ONLY
21	300421002	4	LUBE NIPPLE DIN71412 M6x1 H1	LUBRICATION NIPPLE M6;FOR SB4000 AND SB5200 ONLY
22	500068233	1	FRAME	FOR SB4000 AND SB5200 ONLY
22	500068232	1	FRAME	FOR SB4000 AND SB5200 ONLY
23	500068855	2	COTTER PIN	COTTER PIN 8X56;FOR SB4000 AND SB5200 ONLY
24	500068234	2	PIN	AXLE PIN;FOR SB4000 AND SB5200 ONLY
25	302030165	AR	WHEEL	RAKE WHEEL SBS 165/70X13;FOR SB4000 AND SB5200 ONLY
26	500137968	2		HUB COVER SB4000 D47MM;FOR SB4000 ONLY
26	500037968	2	DUST CAP	HUB COVER SB5200 D48MM BPW;FOR SB5200 ONLY
27	500042624	8	WHEEL NUT	HUB NUT M12X1.5X17;FOR SB4000 AND SB5200 ONLY
28	500068257	2	SUPPORT	WHEEL FRAME 5.2M;FOR SB5200 ONLY

007

p1

007



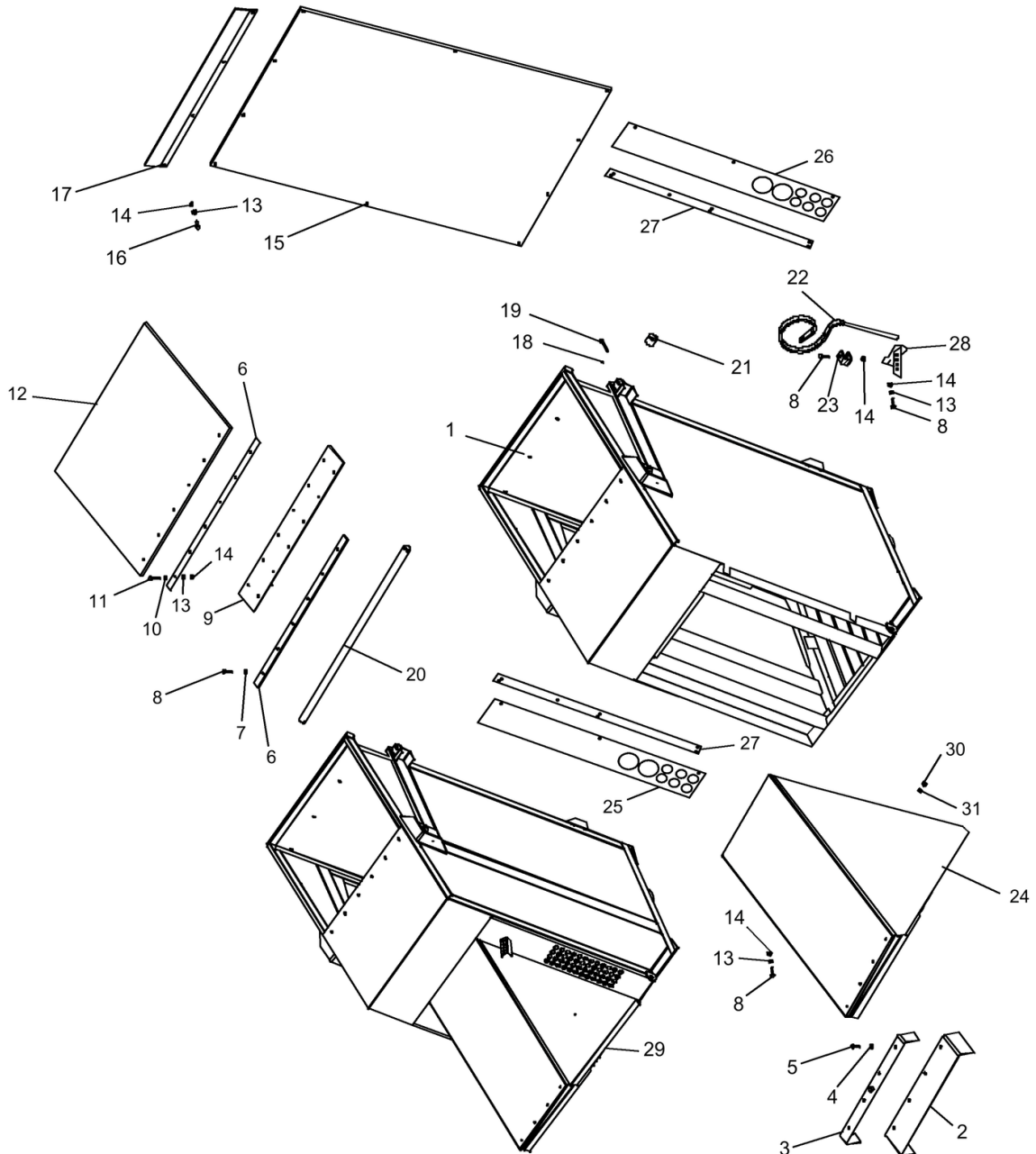
007

REF	PN	QTY	DESCRIPTION	USAGE
1	500068740	1		HOPPER SB4000/5200 FROM 04/2017;FOR SB4000 AND SB5200 ONLY
2	500068708	1	PLATE	RUBBER PLATE;FOR SB4000 AND SB5200 ONLY
3	500068709	1	RETAINER	RETAINER;FOR SB4000 AND SB5200 ONLY
4	500010607	4	WASHER	WASHER M10;FOR SB4000 AND SB5200 ONLY
5	500030958	4	SCREW	HEX HEAD M10X25;FOR SB4000 AND SB5200 ONLY
6	500068713	2	PLATE	PLATE;FOR SB4000 AND SB5200 ONLY
7	500010634	6	LOCK WASHER	SPRING WASHER M12;FOR SB4000 AND SB5200 ONLY
8	500030522	14	SCREW	HEX HEAD M12X35;FOR SB4000 AND SB5200 ONLY
9	500068707	1	PLATE	RUBBER PLATE;FOR SB4000 AND SB5200 ONLY
10	500035554	6	WASHER	WASHER D12.5X35X3;FOR SB4000 AND SB5200 ONLY
11	500057233	6	BOLT	HEX HEAD M12X60;FOR SB4000 AND SB5200 ONLY
12	500068706	1	PLATE	COVERING PLATE,PLYWOOD;FOR SB4000 AND SB5200 ONLY
13	500010462	14	WASHER	WASHER M12;FOR SB4000 AND SB5200 ONLY
14	4732212290	14	LOCK NUT	LOCK NUT M12;FOR SB4000 AND SB5200 ONLY
15	500068728	1	DISC	BOTTOM PLATE,RUBBER;FOR SB4000 AND SB5200 ONLY
16	500057543	12	SCREW	LOCK SCREW M12X40 DIN603;FOR SB4000 AND SB5200 ONLY
17	500068729	2	DISC	LEVY P6X1160X138;FOR SB4000 AND SB5200 ONLY
18	300421002	2	LUBE NIPPLE DIN71412 M6x1 H1	LUBRICATION NIPPLE M6;FOR SB4000 AND SB5200 ONLY
19	500050123	4	PIN	COTTER PIN D10X63;FOR SB4000 AND SB5200 ONLY

007

p2

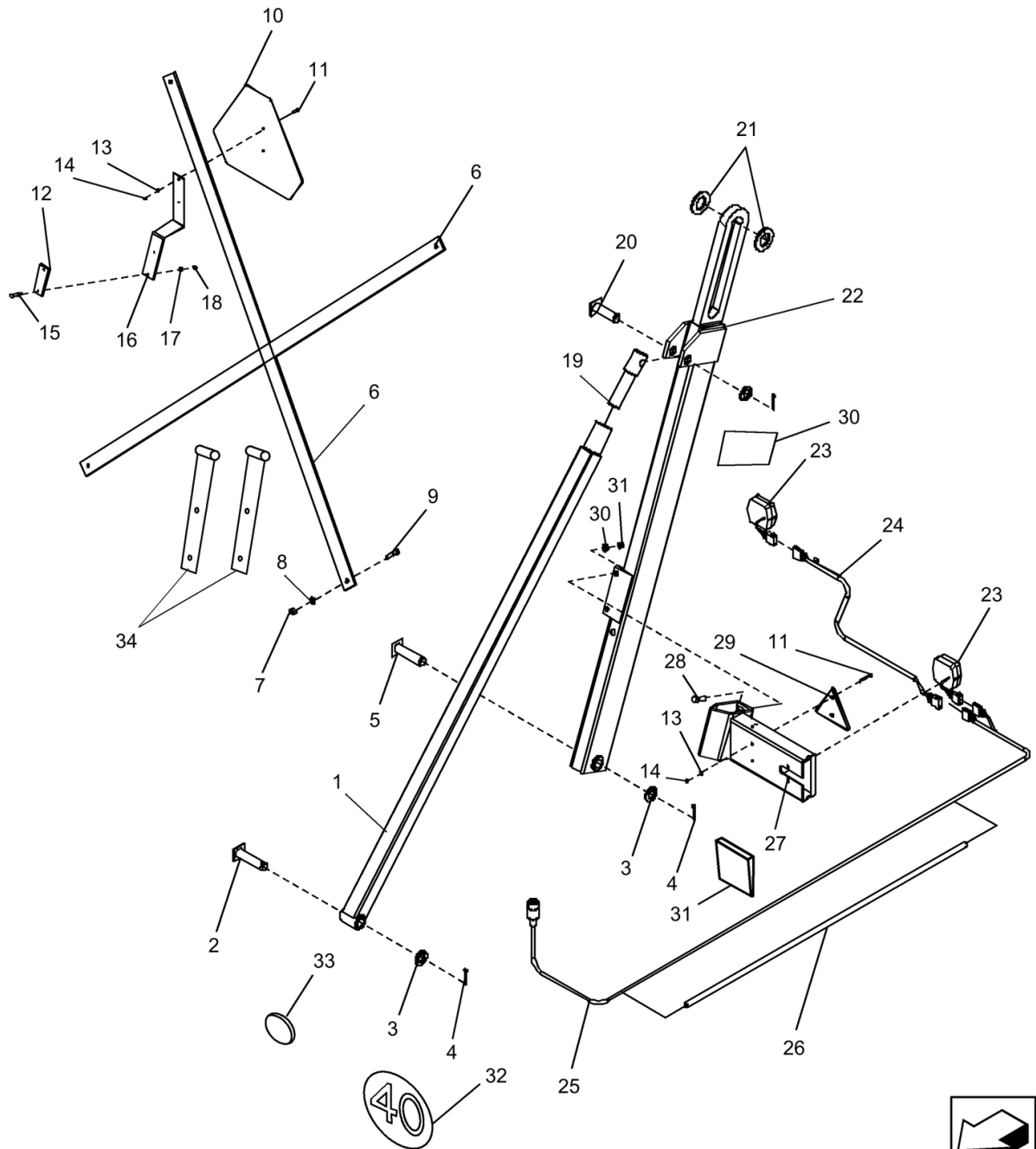
007



007

REF	PN	QTY	DESCRIPTION	USAGE
20	500068721	1	SHAFT	SHAFT D45-1467;FOR SB4000 AND SB5200 ONLY
21	500068722	2	SPH ROLLER BEARING	BALL BEARINGS PDE 45/50X40;FOR SB4000 AND SB5200 ONLY
22	101000831	5	TINE	SPRING TINE FOR STONEBEAR;FOR SB4000 AND SB5200 ONLY
23	500068403	5	CLAMP BRACKET	SPRING ASSIST BRACKET CLAMP;FOR SB4000 AND SB5200 ONLY
24	500068741	1		HOPPER FRONT PART YM.2015;FOR SB4000 AND SB5200 ONLY
25	500068745	1	SIDE PLATE	SIDE PLATE, RIGHT;FOR SB4000 AND SB5200 ONLY
26	500068744	1	SIDE PLATE	SIDE PLATE,LEFT;FOR SB4000 AND SB5200 ONLY
27	500068746	2		FLAT STEEL;FOR SB4000 AND SB5200 ONLY
28	500068747	1		TINE HOLDER;FOR SB4000 AND SB5200 ONLY
29	500068720	1	RESERVOIR	HOPPER SB4000/5200 UP TO YM 04/2017;FOR SB4000 AND SB5200 ONLY
30	500042604	18	BAR	DRILL SCREW 5,5X19 DIN7504;FOR SB4000 AND SB5200 ONLY
31	300332103	18		WASHER EPDM C16 FI 5,5X16;FOR SB4000 AND SB5200 ONLY

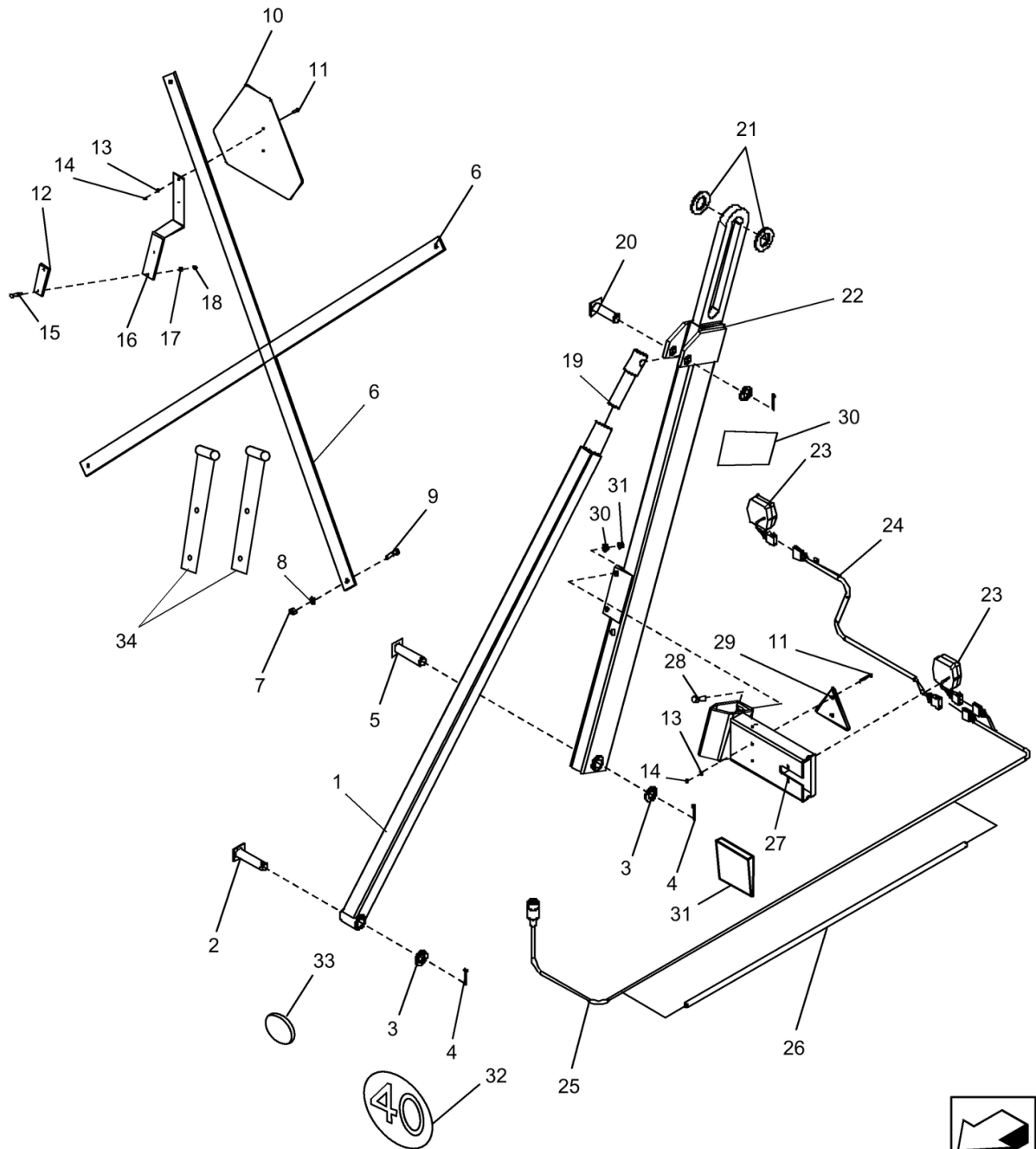
008



008

REF	PN	QTY	DESCRIPTION	USAGE
1	500068714	1	BAR	FOR SB4000 AND SB5200 ONLY
1	500068703	1	DRAWBAR	FOR SB4000 AND SB5200 ONLY
2	500090251	2	AXLE	AXLE STUB D30-109;FOR SB4000 AND SB5200 ONLY
3	4734120401	6	WASHER	WASHER M30 DIN 125;FOR SB4000 AND SB5200 ONLY
4	500057241	4	PIN	COTTER PIN D6.3X45;FOR SB4000 AND SB5200 ONLY
5	500090251	2	AXLE	AXLE STUB D30-109;FOR SB4000 AND SB5200 ONLY
6	500068704	2	BAR	BAR;FOR SB4000 AND SB5200 ONLY
7	4732212290	4	LOCK NUT	LOCK NUT M12;FOR SB4000 AND SB5200 ONLY
8	500010462	4	WASHER	WASHER M12;FOR SB4000 AND SB5200 ONLY
9	500030522	4	SCREW	HEX HEAD M12X35;FOR SB4000 AND SB5200 ONLY
10	500090169	1	WARNING TRIANGLE	WARNING TRIANGLE;FOR SB4000 AND SB5200 ONLY
11	300304131	6	BOLT	HEX HEAD M5X16;FOR SB4000 AND SB5200 ONLY
12	500068710	1	PLATE	PLATE;FOR SB4000 AND SB5200 ONLY
13	500063876	6	WASHER	WASHER M5;FOR SB4000 AND SB5200 ONLY
14	300315016	6	NUT	NUT M5;FOR SB4000 AND SB5200 ONLY
15	500030649	2	BOLT	HEX HEAD M6X45;FOR SB4000 AND SB5200 ONLY
16	500068711	1	BRACKET	PLATE;FOR SB4000 AND SB5200 ONLY
17	500053503	2	WASHER	WASHER M6;FOR SB4000 AND SB5200 ONLY
18	4731231640	2	NUT ISO 4032 - M6 A2-80	NUT M6;FOR SB4000 AND SB5200 ONLY
19	500089212	1	BOLT	BOLT, RIGHT HAND THREAD;FOR SB4000 AND SB5200 ONLY

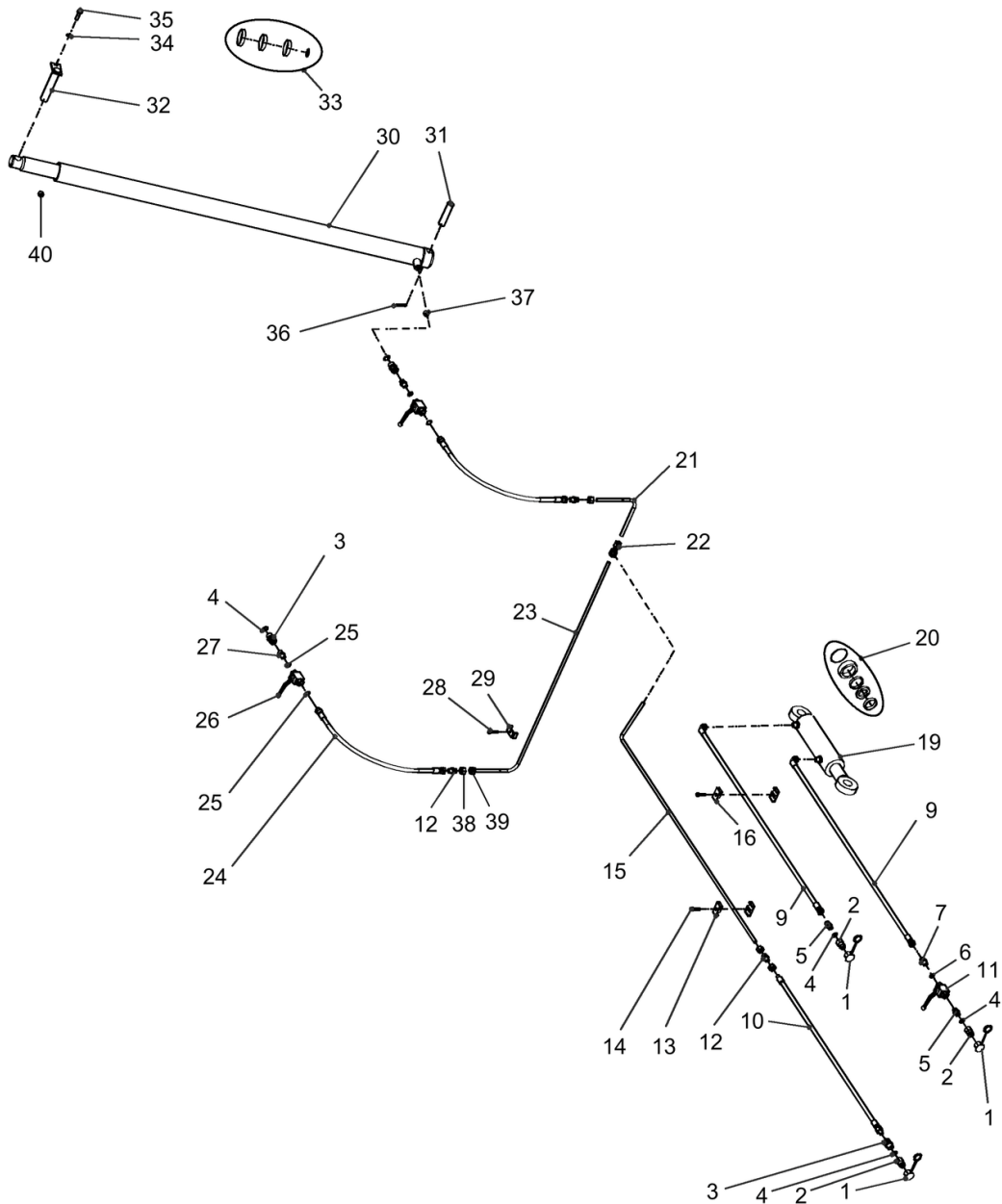
008



008

REF	PN	QTY	DESCRIPTION	USAGE
20	500087253	2	PIN , 30mm OD, 90mm Eff Length, Washer Head	AXLE PIN;FOR SB4000 AND SB5200 ONLY
21	500090201	4	WASHER	WASHER D46X80X6;FOR SB4000 AND SB5200 ONLY
22	500068724	1	ARM	FOR SB4000 AND SB5200 ONLY
22	500068725	1	ARM	FOR SB4000 AND SB5200 ONLY
23	500041312	1	LAMP	REAR LIGHT, COMPLETE;FOR SB4000 AND SB5200 ONLY
24	500041367	1	ELECTRIC CABLE	LIGHTING CABLE L=3.8M;FOR SB4000 AND SB5200 ONLY
25	500041394	1	HOSE	LIGHTING CABLE L=7.6M;FOR SB4000 AND SB5200 ONLY
26	500008091	1	PIPE	PIPE 13MM;FOR SB4000 AND SB5200 ONLY
27	500068726	1	DRIVE	FOR SB4000 AND SB5200 ONLY
27	500068727	1	REVERSE LAMP	FOR SB4000 AND SB5200 ONLY
28	500030522	4	SCREW	HEX HEAD M12X35;FOR SB4000 AND SB5200 ONLY
29	500053263	2	WARNING DECAL	REFLECTOR 8301A;FOR SB4000 AND SB5200 ONLY
30	600457131	6		YELLOW REFLECTOR 980-71;FOR SB4000 AND SB5200 ONLY
31	300007667	1	PLATE	HOLDER FOR NUMER PLATE;FOR SB4000 AND SB5200 ONLY
32	300007672	1		STICKER 40 KM/H;FOR SB4000 AND SB5200 ONLY
33	NS	2	NOT SERVICED	REFLEX O68.4 WHITE;FOR SB4000 AND SB5200 ONLY
34	300007670	2		TRIANGLE HOLDER;FOR SB4000 AND SB5200 ONLY

009



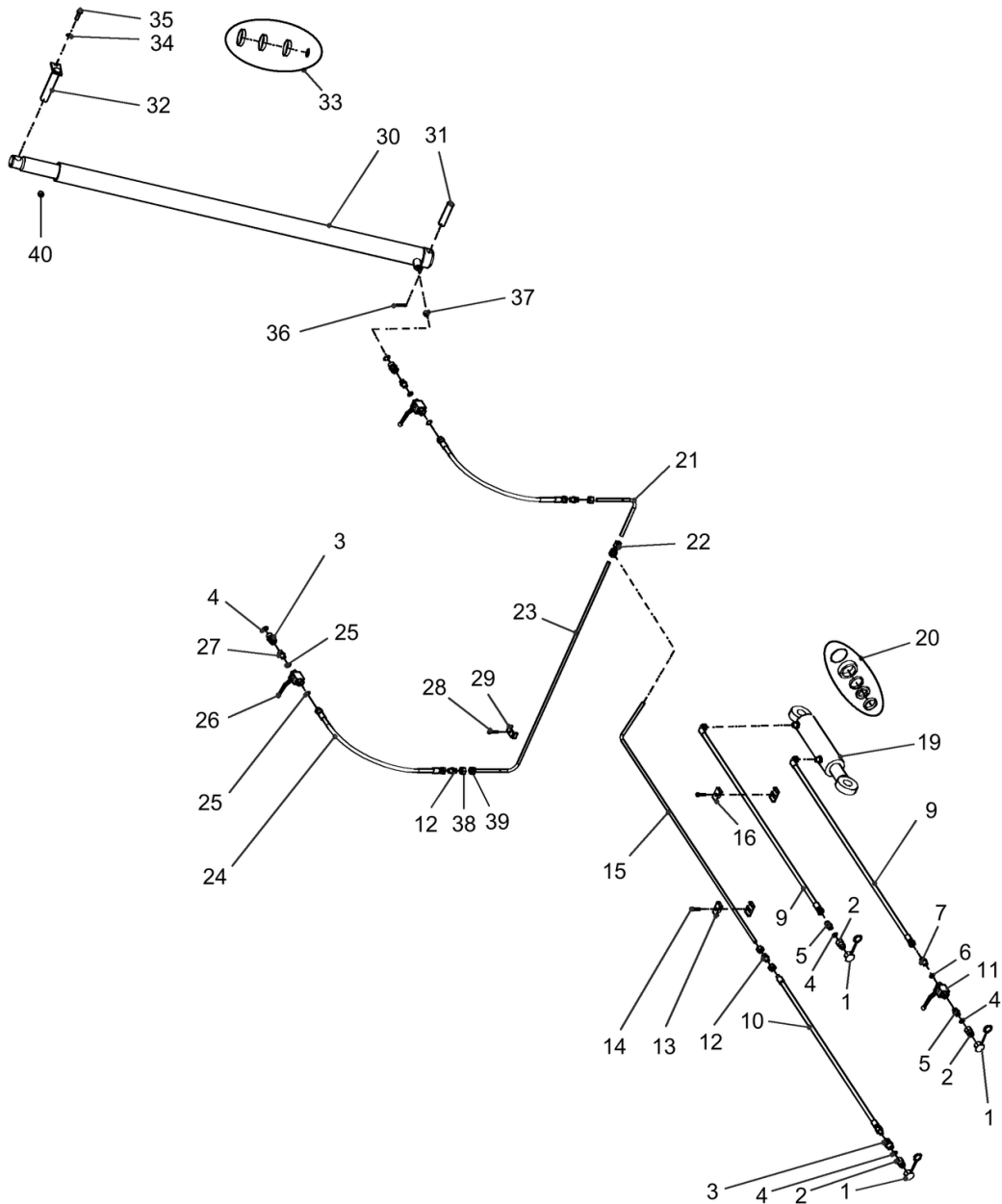
009

p1

009

REF	PN	QTY	DESCRIPTION	USAGE
1	500058656	3	ELEC CONNECTOR	PLUG;FOR SB4000 AND SB5200 ONLY
2	500030844	3	COUPLING	RAPID CONNECTOR 1/2";FOR SB4000 AND SB5200 ONLY
3	500041836	3	FITTING	CONNECTION NIPPLE R1/2-3/8";FOR SB4000 AND SB5200 ONLY
4	500052361	5	O-RING	SEALING 1/2";FOR SB4000 AND SB5200 ONLY
5	500090812	2	FITTING	DOUBLE NIPPLE 1/2-1/4";FOR SB4000 AND SB5200 ONLY
6	500087830	2	SEAL	SEALING 1/4";FOR SB4000 AND SB5200 ONLY
7	500090820	2	FITTING	DOUBLE NIPPLE 1/4-1/4";FOR SB4000 AND SB5200 ONLY
9	500058686	2	HYDRAULIC HOSE	HYDRAULIC HOSE. 1/4" L=2800;FOR SB4000 AND SB5200 ONLY
10	500068516	1	HOSE	HOSE 3/8" L=3400+50;FOR SB4000 AND SB5200 ONLY
11	500087819	1	VALVE	BALL TAP 1/4";FOR SB4000 AND SB5200 ONLY
12	500158828	1	COUPLING	COUPLING EL 12;FOR SB4000 AND SB5200 ONLY
13	500058668	5	HOSE CLAMP	DOUBLE FASTENER D15;FOR SB4000 AND SB5200 ONLY
14	500089559	10	SCREW	HEX HEAD M8X35;FOR SB4000 AND SB5200 ONLY
15	500068514	1	TUBE	HYDRAULIC TUBE D12X1,5;FOR SB4000 AND SB5200 ONLY
16	500031594	5	CLAMP	DOUBLE FASTENER D12;FOR SB4000 AND SB5200 ONLY
19	500680513	1	HYDRAULIC CYLINDER	HYDRAULIC CYLINDER 80/50-150;FOR SB4000 ONLY
20	500680515	1	SEAL KIT	SEALING KIT;FOR SB4000 AND SB5200 ONLY
21	500068502	1	HOSE	HYDRAULIC TUBE;FOR SB4000 AND SB5200 ONLY

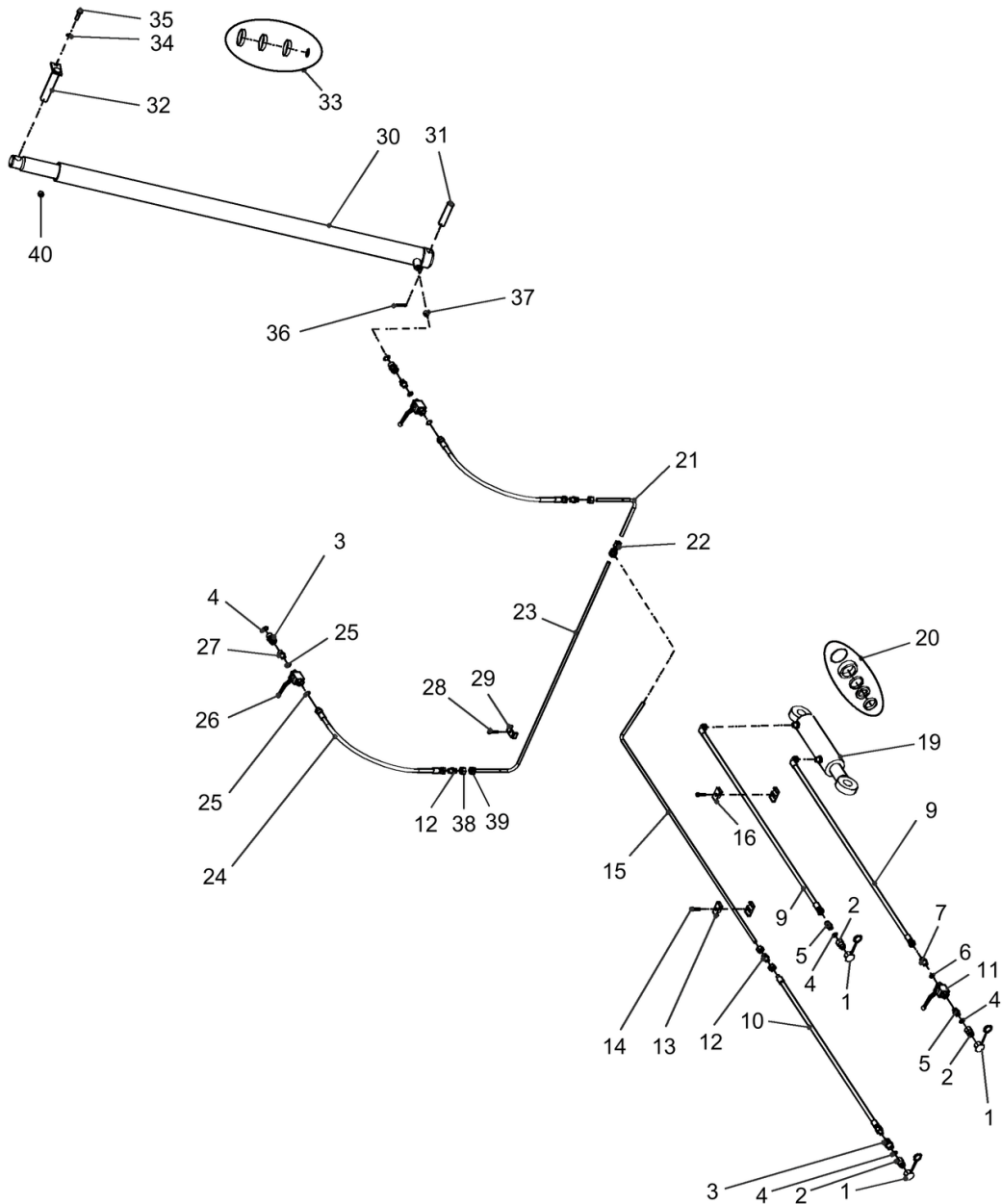
009



009

REF	PN	QTY	DESCRIPTION	USAGE
22	500031592	1	TEE	T-COUPLING;FOR SB4000 AND SB5200 ONLY
23	500068501	1	PIPE	HYDRAULIC PIPE;FOR SB4000 AND SB5200 ONLY
24	500068853	2	FITTING	HYDR HOSE 3/8"L=460;FOR SB4000 AND SB5200 ONLY
25	500061801	2	O-RING	SEALING RING 3/8";FOR SB4000 AND SB5200 ONLY
26	500257617	2	BALL	BALL VALVE 3/8";FOR SB4000 AND SB5200 ONLY
27	500095832	2	NIPPLE	DOUBLE NIPPLE 3/8-3/8";FOR SB4000 AND SB5200 ONLY
28	4725245357	2	BOLT	HEX HEAD M8X25;FOR SB4000 AND SB5200 ONLY
29	500057623	2	CLAMP	FIXING PIECE;FOR SB4000 AND SB5200 ONLY
30	500680505	2	HYDRAULIC CYLINDER	HYDRAULIC CYLINDER ASSEMBLY;FOR SB4000 AND SB5200 ONLY
31	500068139	2	PIN	PIN D28-116;FOR SB4000 AND SB5200 ONLY
32	500068723	2	PIN	PIN;FOR SB4000 AND SB5200 ONLY
33	500680506	2	SEAL KIT	SEALING KIT;FOR SB4000 AND SB5200 ONLY
34	300332021	2	WASHER M10 FZB DIN127B	SPRING WASHER M10;FOR SB4000 AND SB5200 ONLY
35	300304031	2	BOLT M10x20 CL 8.8 FZB DIN933	HEX HEAD M10X20;FOR SB4000 AND SB5200 ONLY
36	500057241	2	PIN	COTTER PIN D6.3X45;FOR SB4000 AND SB5200 ONLY
37	500086809	2	VALVE	SAFETY VALVE;FOR SB4000 AND SB5200 ONLY
38	200231809	6		NUT M12-L;FOR SB4000 AND SB5200 ONLY
39	200215834	6		SCHNEIDRG S12 DIN3861;FOR SB4000 AND SB5200 ONLY
40	500058658	2	BREATHER	BREATHER 1/4" OLD;FOR SB4000 AND SB5200 ONLY

009



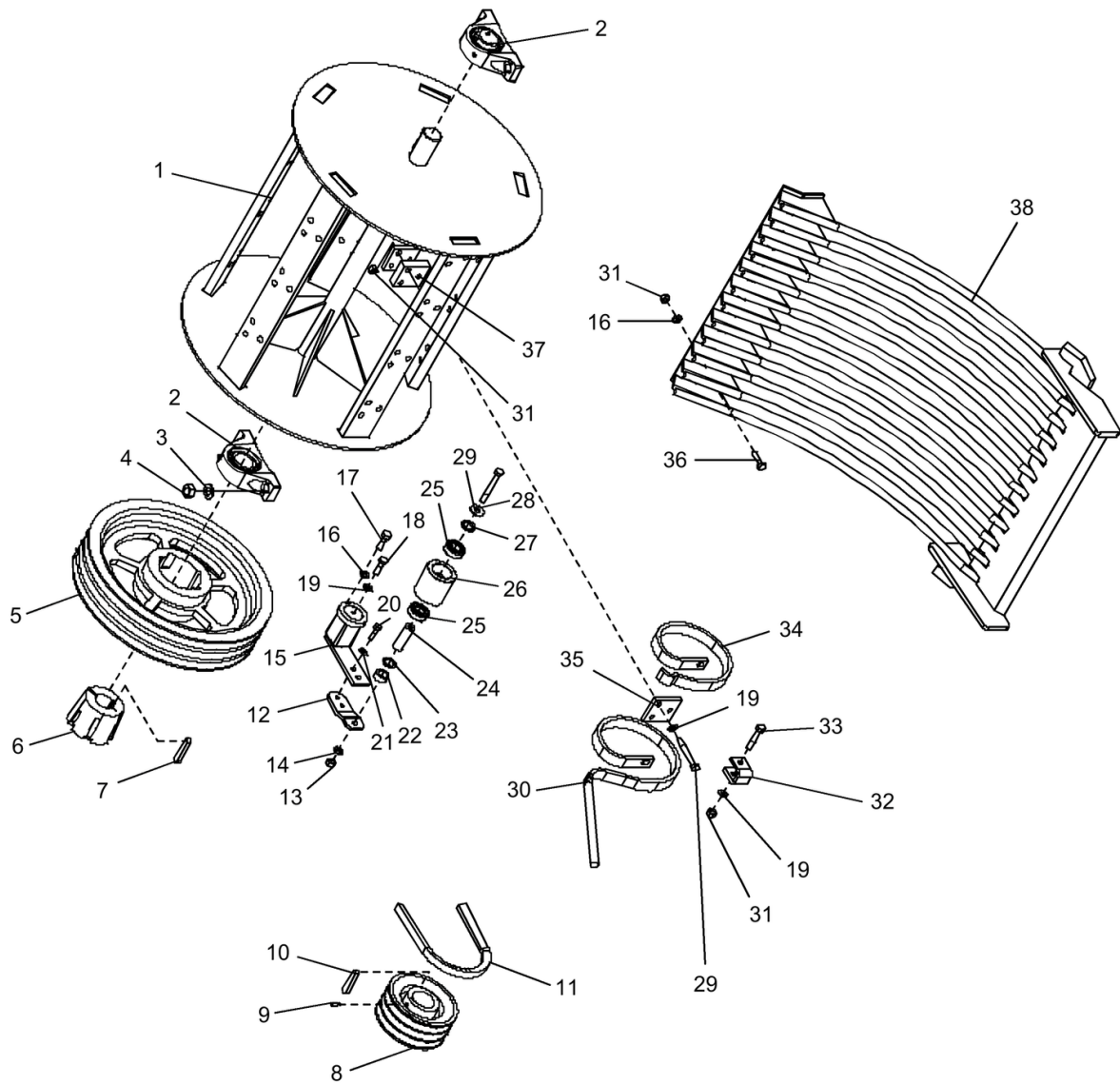
009

p3

009

REF	PN	QTY	DESCRIPTION	USAGE
40	301044215	2	PLUG 3/8"	BREATHER 3/8" NEW;FOR SB4000 AND SB5200 ONLY

010



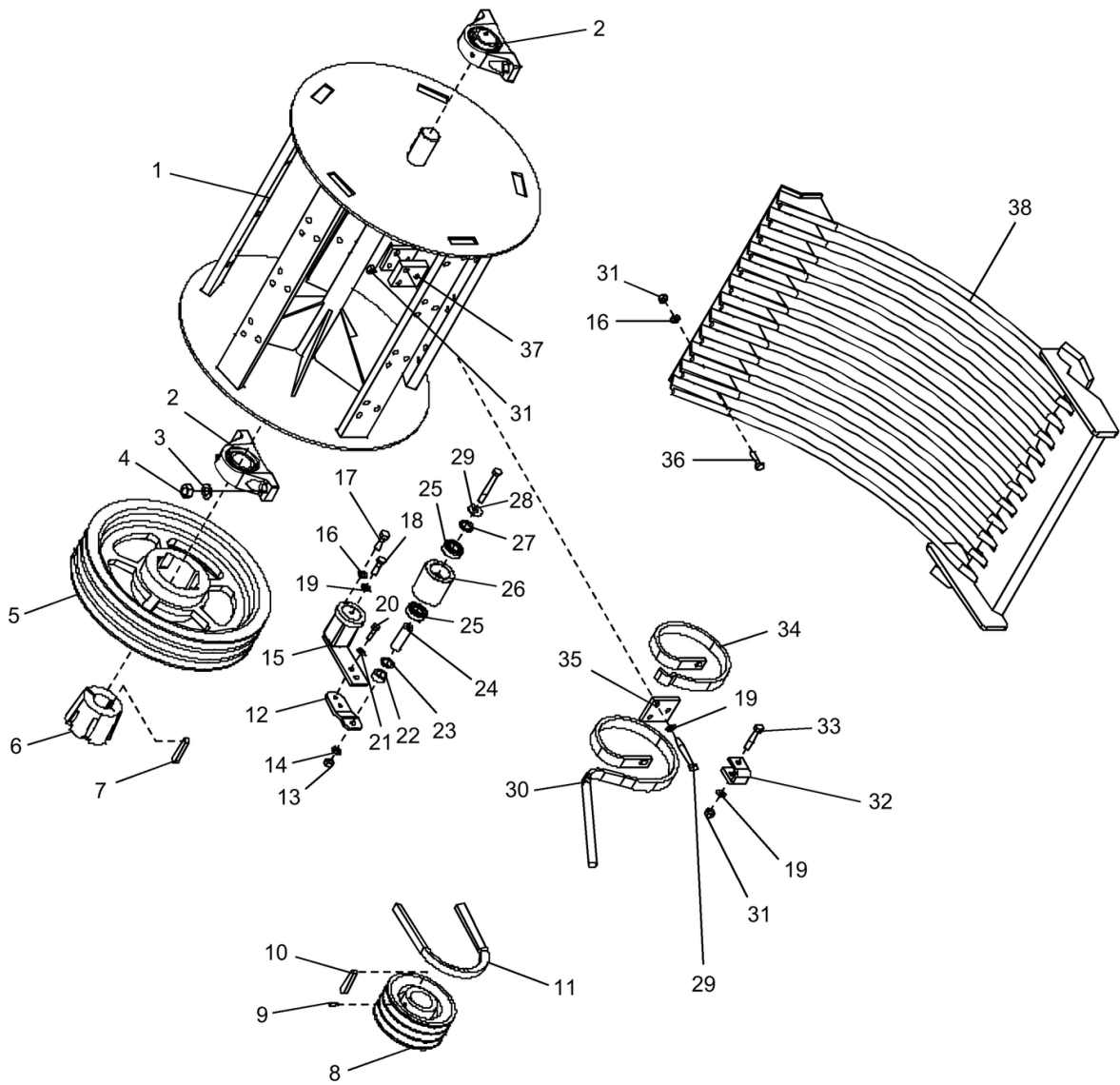
010

p1

010

REF	PN	QTY	DESCRIPTION	USAGE
1	500068409	1	ROTOR	ROTOR;FOR SB4000 ONLY
1	500068410	1	DRUM	PTO LEFT HAND FOR RAKE;FOR SB5200 ONLY
2	500263162	2	SPH ROLLER BEARING	BEARING SY 50 TF;FOR SB4000 AND SB5200 ONLY
3	500053942	4	TRAY	WASHER M20;FOR SB4000 AND SB5200 ONLY
4	500053463	4	LOCK NUT	LOCK NUT M20;FOR SB4000 AND SB5200 ONLY
5	500068867	1	PULLEY	PULLEY SPC500-3/3535;FOR SB4000 AND SB5200 ONLY
6	500068806	1	SLEEVE	D50 3535/50;FOR SB4000 AND SB5200 ONLY
7	500068265	1	KEY	KEY 14X9-48 DIN 6885 B;FOR SB4000 AND SB5200 ONLY
8	500068866	1	PULLEY	PULLEY SPC180-3;FOR SB4000 AND SB5200 ONLY
9	500013557	1	SCREW	M8X20 DIN 915;FOR SB4000 AND SB5200 ONLY
10	500068885	1	KEY	KEY 12X8-45;FOR SB4000 AND SB5200 ONLY
11	500068817	AR	BELT	V - BELT SPC3150;FOR SB4000 AND SB5200 ONLY
12	500068876	1	BRACKET	TENSIONER PLATE;FOR SB4000 AND SB5200 ONLY
13	300315003	1	NUT M12 CL 8 FZB DIN934	NUT M12;FOR SB4000 AND SB5200 ONLY
14	500010634	1	LOCK WASHER	SPRING WASHER M12;FOR SB4000 AND SB5200 ONLY
15	500068818	1	BELT TENSIONER	BELT TIGHTENER;FOR SB4000 AND SB5200 ONLY
16	500010607	1	WASHER	WASHER M10;FOR SB4000 AND SB5200 ONLY
17	500020561	1	SCREW	HEX HEAD M10X40;FOR SB4000 AND SB5200 ONLY
18	500030952	1	HEX SOC SCREW	HEX HEAD M12X30;FOR SB4000 AND SB5200 ONLY
19	500010462	59	WASHER	WASHER M12;FOR SB4000 AND SB5200 ONLY

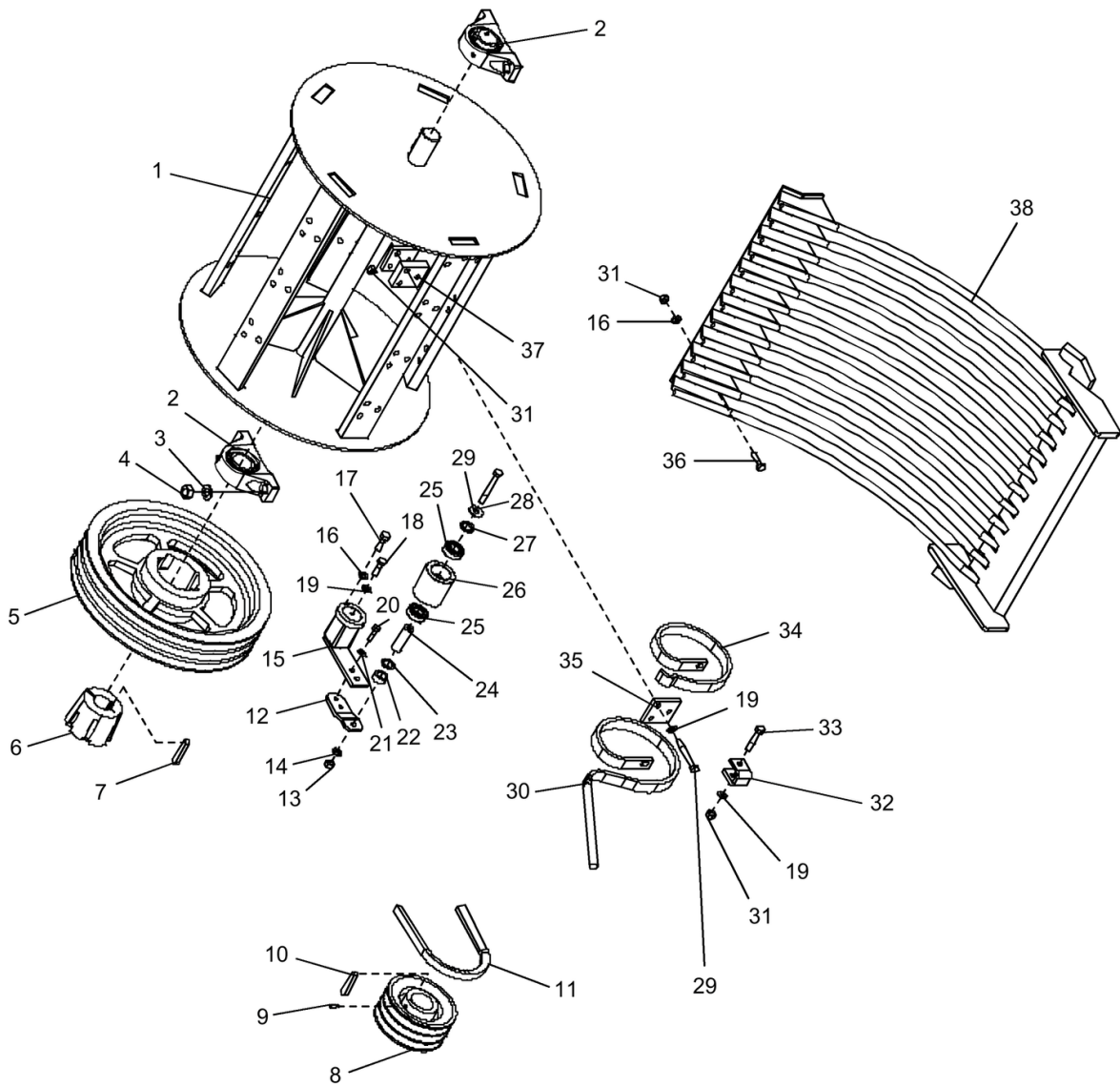
010



010

REF	PN	QTY	DESCRIPTION	USAGE
20	300304031	2	BOLT M10x20 CL 8.8 FZB DIN933	HEX HEAD M10X20;FOR SB4000 AND SB5200 ONLY
21	300332021	2	WASHER M10 FZB DIN127B	SPRING WASHER M10;FOR SB4000 AND SB5200 ONLY
22	500189501	1	SPACER	SPACER D33.7X3.25 L=16;FOR SB4000 AND SB5200 ONLY
23	500056625	1	WASHER	WASHER 25.5X35X2;FOR SB4000 AND SB5200 ONLY
24	500068834	1	AXLE	BUSH FOR BELT TENSIONER;FOR SB4000 AND SB5200 ONLY
25	90715112300	2		BEARING 6205-2RS;FOR SB4000 AND SB5200 ONLY
26	500068833	1	TIGHTENER	ROLLER;FOR SB4000 AND SB5200 ONLY
27	500025110	1	WASHER	WASHER 26X36X4;FOR SB4000 AND SB5200 ONLY
28	300332044	1	WASHER M12 FZB DIN9021	WASHER M12 DIN 9021;FOR SB4000 AND SB5200 ONLY
29	500035244	1	HEX SOC SCREW	M12X100, 10.9 DIN931;FOR SB4000 AND SB5200 ONLY
30	101000831	AR	TINE	SPRING TINE FOR STONEBEAR;FOR SB4000 AND SB5200 ONLY
31	4732212290	AR	LOCK NUT	LOCK NUT M12;FOR SB4000 AND SB5200 ONLY
32	500068403	AR	CLAMP BRACKET	SPRING ASSIST BRACKET CLAMP;FOR SB4000 AND SB5200 ONLY
33	71309212705	AR	BOLT	HEX HEAD M12X70 10.9;FOR SB4000 AND SB5200 ONLY
34	500068402	AR	SPRING	ASSISTOR SPRING;FOR SB4000 AND SB5200 ONLY
35	500068405	AR	CLAMP	PLATE;FOR SB4000 AND SB5200 ONLY
36	500030522	4	SCREW	HEX HEAD M12X35;FOR SB4000 AND SB5200 ONLY
37	500068404	AR	PLATE	RUBBER PLATE;FOR SB4000 AND SB5200 ONLY

010



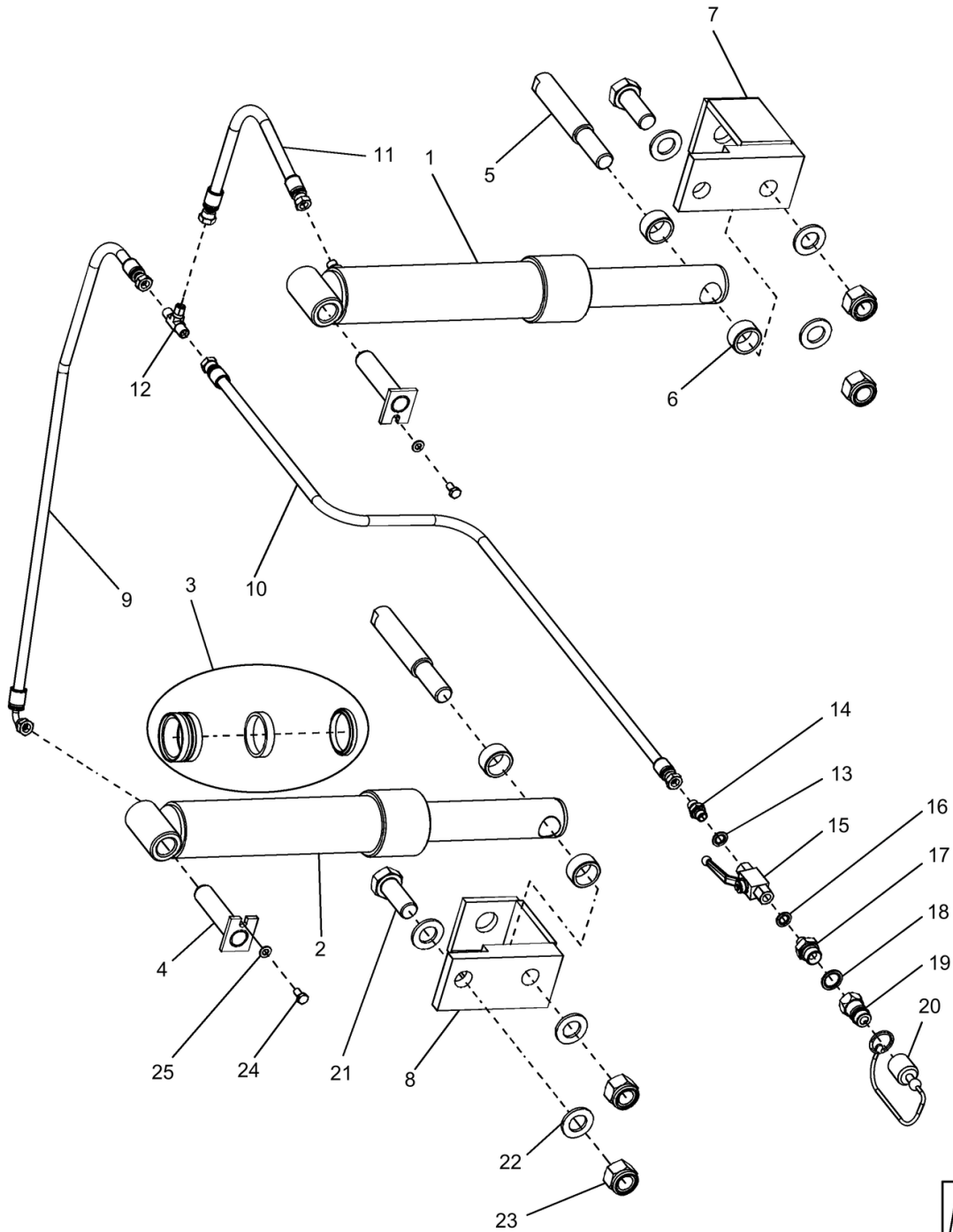
010

p3

010

REF	PN	QTY	DESCRIPTION	USAGE
38	500068621	1	DIA KIT, HARVESTER	SIEVE 28MM OPTION;FOR SB4000 AND SB5200 ONLY
38	500068615	1	DIA KIT, HARVESTER	SIEVE 35MM OPTION;FOR SB4000 AND SB5200 ONLY
38	500068616	1	DIA KIT, HARVESTER	SIEVE 40MM OPTION;FOR SB4000 AND SB5200 ONLY
38	500068617	1	DIA KIT, HARVESTER	SIEVE 50MM OPTION;FOR SB4000 AND SB5200 ONLY
38	500068618	1	DIA KIT, HARVESTER	SIEVE 70MM OPTION;FOR SB4000 AND SB5200 ONLY

011



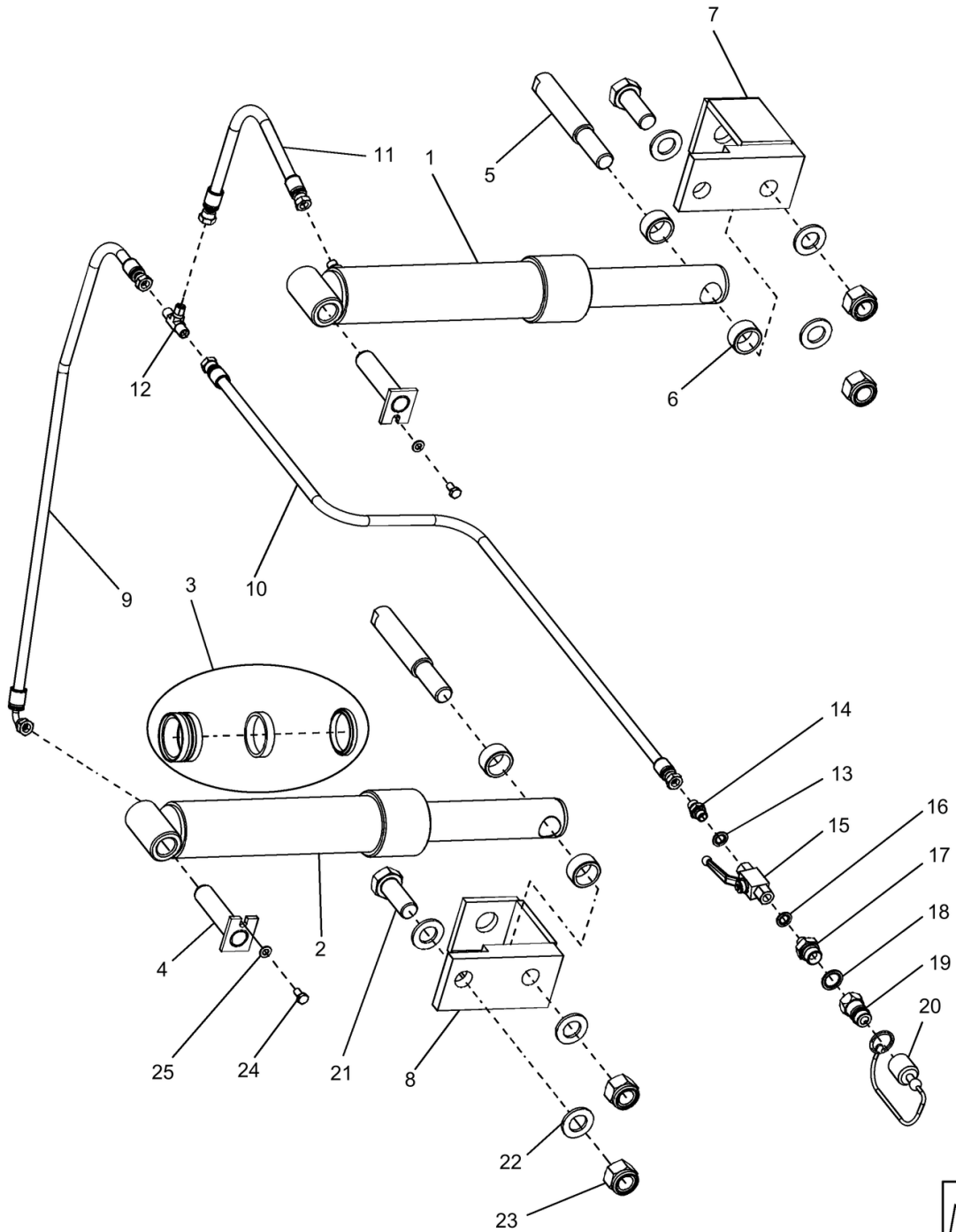
011

REF	PN	QTY	DESCRIPTION	USAGE
1	500680380	1	FRAME	FOR SB4000 AND SB5200 ONLY
2	500680379	1	FRAME	FOR SB4000 AND SB5200 ONLY
3	500680381	2	SEAL	SEALKIT, 7201 CYLINDER 680379/680380;FOR SB4000 AND SB5200 ONLY
4	500068382	2	PIN	PIN D25 L=105;FOR SB4000 AND SB5200 ONLY
5	500068385	2	PIN	PIN D30 L=189;FOR SB4000 AND SB5200 ONLY
6	500057258	4	BUSHING	BUSHING FURREL;FOR SB4000 AND SB5200 ONLY
7	500068384	1	BRACKET	FOR SB4000 AND SB5200 ONLY
8	500058383	1		FOR SB4000 AND SB5200 ONLY
9	500068397	1	LIFT CYLINDER	HYDRAULIC HOSE L=2700 MM;FOR SB4000 AND SB5200 ONLY
10	500089840	1	HOSE	PRESSURE HOSE L=4100 MM;FOR SB4000 AND SB5200 ONLY
11	500068398	1	LIFT CYLINDER	HYDRAULIC HOSE L=320 MM;FOR SB4000 AND SB5200 ONLY
12	500058665	1	NIPPLE	T-NIPPLE R 1/4;FOR SB4000 AND SB5200 ONLY
13	500087830	1	SEAL	SEALING;FOR SB4000 AND SB5200 ONLY
14	500090820	1	FITTING	DOUBLE NIPPLE;FOR SB4000 AND SB5200 ONLY
15	500087819	1	VALVE	BALL TAP 2T/R1/4;FOR SB4000 AND SB5200 ONLY
16	500087830	1	SEAL	SEALING 1/4;FOR SB4000 AND SB5200 ONLY
17	500090812	1	FITTING	DOUBLE NIPPLE;FOR SB4000 AND SB5200 ONLY
18	500052361	1	O-RING	SEALING;FOR SB4000 AND SB5200 ONLY
19	500030844	1	COUPLING	COUPLING;FOR SB4000 AND SB5200 ONLY
20	500058656	1	ELEC CONNECTOR	PLUG;FOR SB4000 AND SB5200 ONLY

011

p2

011



011

p2

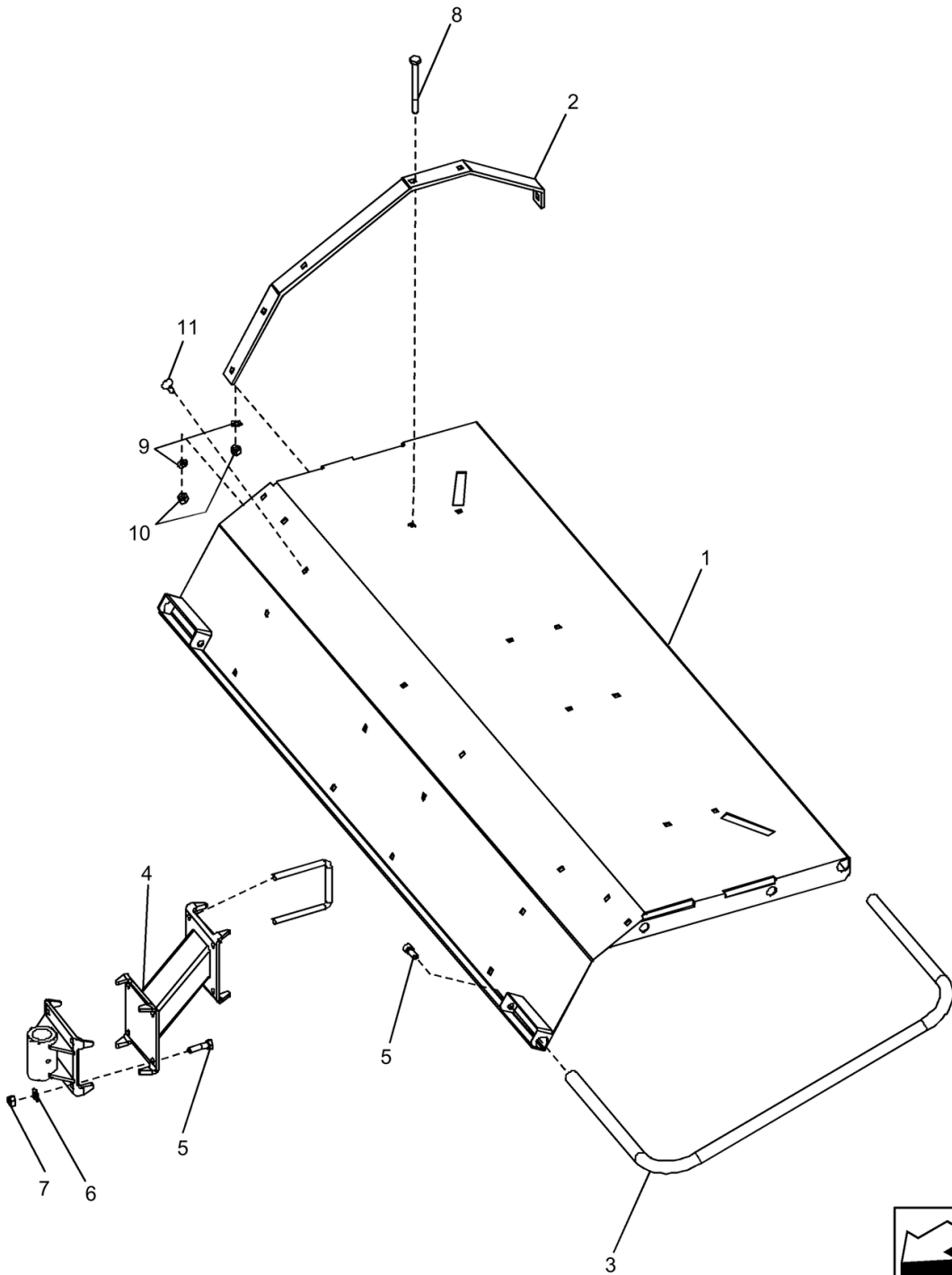
011

REF	PN	QTY	DESCRIPTION	USAGE
21	500066552	2	SCREW	SCREW M24X65;FOR SB4000 AND SB5200 ONLY
22	500030903	4	WASHER	WASHER M24;FOR SB4000 AND SB5200 ONLY
23	300316040	4	RING M24 CL 8 FZB DIN985	LOCK NUT M24;FOR SB4000 AND SB5200 ONLY
24	500057535	2	BOLT	SCREW M8X16;FOR SB4000 AND SB5200 ONLY
25	500010350	2	LOCK WASHER	WASHER M8;FOR SB4000 AND SB5200 ONLY

012

p1

012



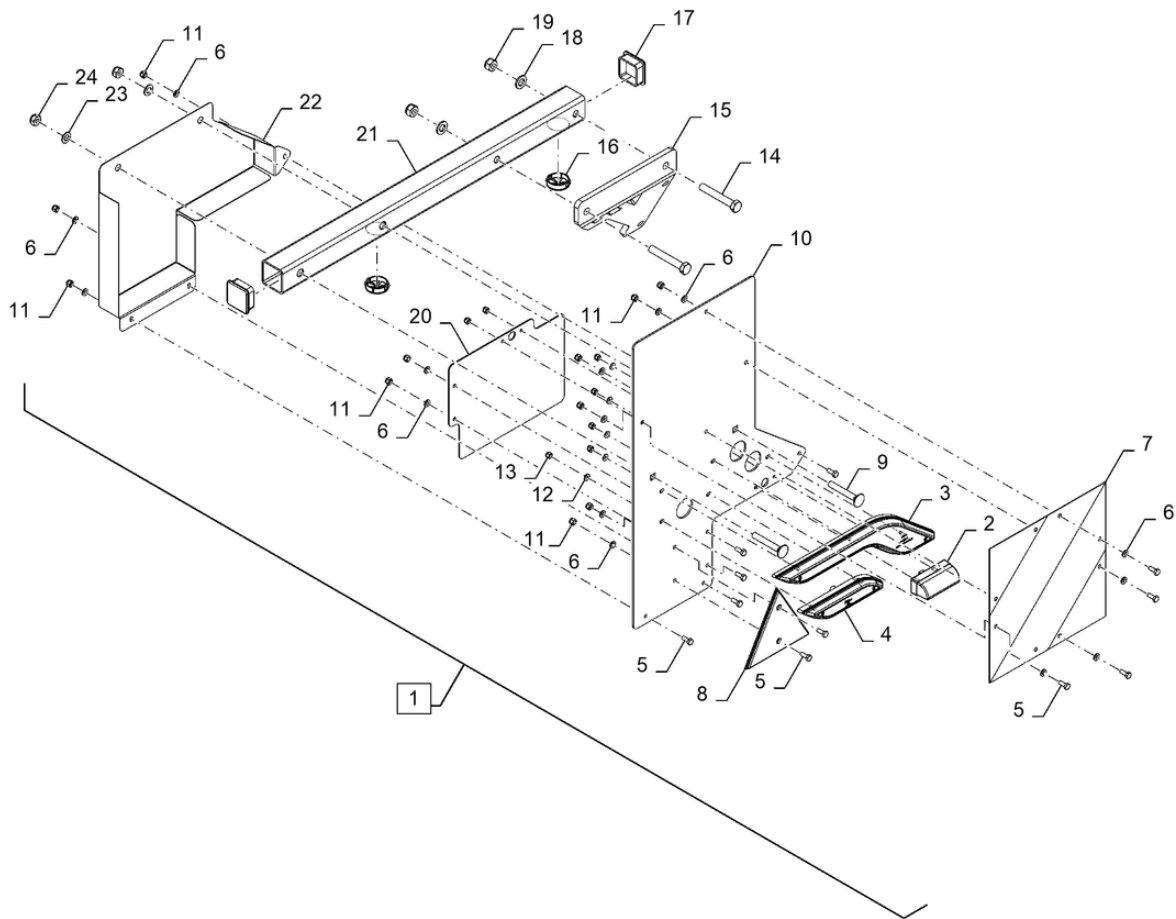
012

REF	PN	QTY	DESCRIPTION	USAGE
1	500068608	1	SUPPORT	FOR SB4000 ONLY
1	500068613	1	DEFLECTOR	FOR SB4000 ONLY
1	500068619	1	DEFLECTOR	FOR SB5200 ONLY
1	500068620	1	DEFLECTOR	FOR SB5200 ONLY
2	500068609	AR	SUPPORT	SPLASH GUARD, LEFT;FOR SB4000 AND SB5200 ONLY
3	500068610	2	BAR	GUARD;FOR SB4000 AND SB5200 ONLY
4	500068611	2	DEFLECTOR	BRACKET;FOR SB4000 AND SB5200 ONLY
5	500030952	12	HEX SOC SCREW	HEX HEAD M12X30;FOR SB4000 AND SB5200 ONLY
6	500010462	12	WASHER	WASHER M12;FOR SB4000 AND SB5200 ONLY
7	4732212290	12	LOCK NUT	LOCK NUT M12;FOR SB4000 AND SB5200 ONLY
8	500013526	AR	BOLT	HEX HEAD M10X120;FOR SB4000 AND SB5200 ONLY
9	500010607	AR	WASHER	WASHER M10;FOR SB4000 AND SB5200 ONLY
10	500057379	AR	NUT	LOCK NUT M10;FOR SB4000 AND SB5200 ONLY
11	500057624	AR	BOLT	LOCK SCREW M10X5;FOR SB4000 AND SB5200 ONLY

013

p1

LIGHT KIT ASSEMBLY - LEFT SIDE; (SN Break) After KTNKA210E0001338



013

p1

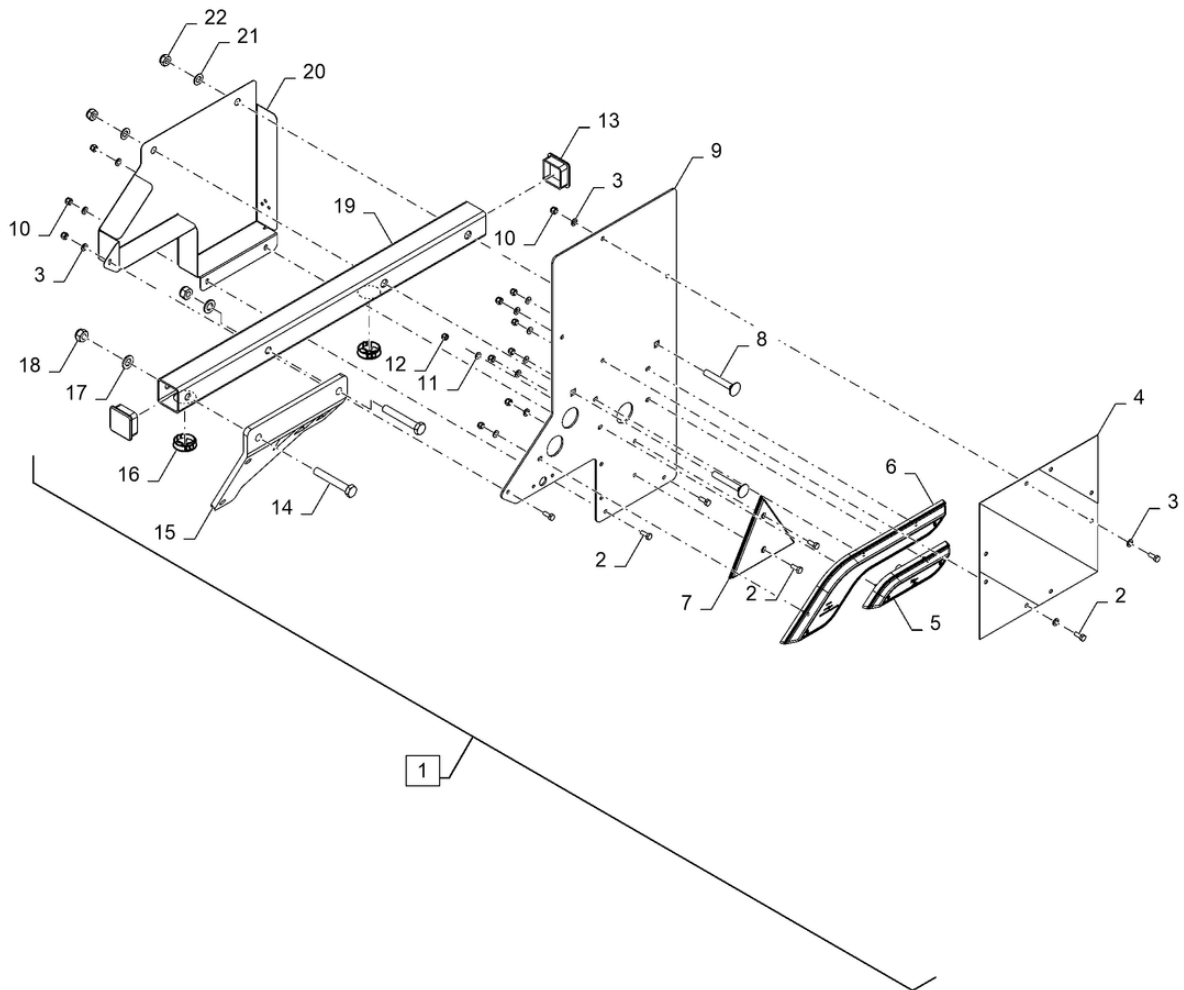
LIGHT KIT ASSEMBLY - LEFT SIDE; (SN Break) After KTNKA210E00001338

REF	PN	QTY	DESCRIPTION	USAGE
1	330290103	1	LIGHT ASSY.	LIGHT KIT ASSEMBLY - LEFT SIDE (Incl 2- 24)
2	330290077	1	LAMP	REAR REGISTRATION PLATE LAMP
3	51529365	1	POSITION LAMP	LAMP, POSITION, SAE / ECE STOP- TAIL LH
4	51529369	1	TURN/SMV LAMP	LAMP, TURN / SMV, ECE DIR INDICATOR LH
5	86508568	11	BOLT Hex, M6 x 1 x 16mm, Cl 8.8, Full Thd	BOLT, M6X16 FULL 8.8 ZND
6	300332038	15	WASHER	WASHER M6 FZB DIN126
7	48064922	1	PLATE	SIGNAL PLATE - DECAL PUT ON A ALUMINUM SHEET
8	500053263	1	WARNING DECAL	REAR RETRO-REFLECTOR (TRIANGULAR)
9	43476	2	BOLT Regular Sq Nk, M10 x 70mm, Cl 8.8	CARRIAGE BOLT M10X70 CL. 8.8 ZND DIN603
10	330290062	1	PLATE	SHEET METAL FOR LIGHT KIT FIXING DK GREY
11	300316026	11	LOCK NUT M6 DIN985	NUT M6 DIN985
12	322356	5	BELLEVILLE WASHER M5 Bolt Size x 12mm OD x 1.85mm Thk	WASHER, BELLEVILLE, LOCK M5X12 ZNM
13	300316025	7	LOCK NUT DIN985 M5	SELF-LOCKING NUT M5 CL. 8 FZB DIN985
14	43158	2	BOLT Hex, M12 x 1.75 x 80mm, Cl 8.8	BOLT M12X80 CL. 8.8 ZND DIN931
15	330290120	1	HANDLE	LIGHT HANDLE SHEET LEFT SIDE (PAINTED)
16	303100018	2	RING	CABLE PASS D=38,1MM
17	300082635	2	PLUG	PLASTIC PLUGE 50X50
18	300332008	2	WASHER M12 FZB DIN126	WASHER M12 FZB DIN126
19	300316021	2	LOCK NUT M12 CL 8 FZB DIN985	NUT ISO 10511 M12-8-FZB
20	330290128	1	SUPPORT	REGISTRATION PLATE SUPPORT (GREY)
21	330290126	1	BEAM	PROFILE HORIZONTAL LIGHT KIT
22	330290084	1	COVER	CONNECTORS COVER - LEFT SIDE DK_GREY
23	300332027	2	WASHER M10 FZB DIN126	WASHER M10 FZB DIN126
24	300316029	2	LOCK NUT	NUT ISO 10511 M10X1-8-FZB

014

p1

LIGHT KIT ASSEMBLY - RIGHT SIDE; (SN Break) After KTNKA210E00001338



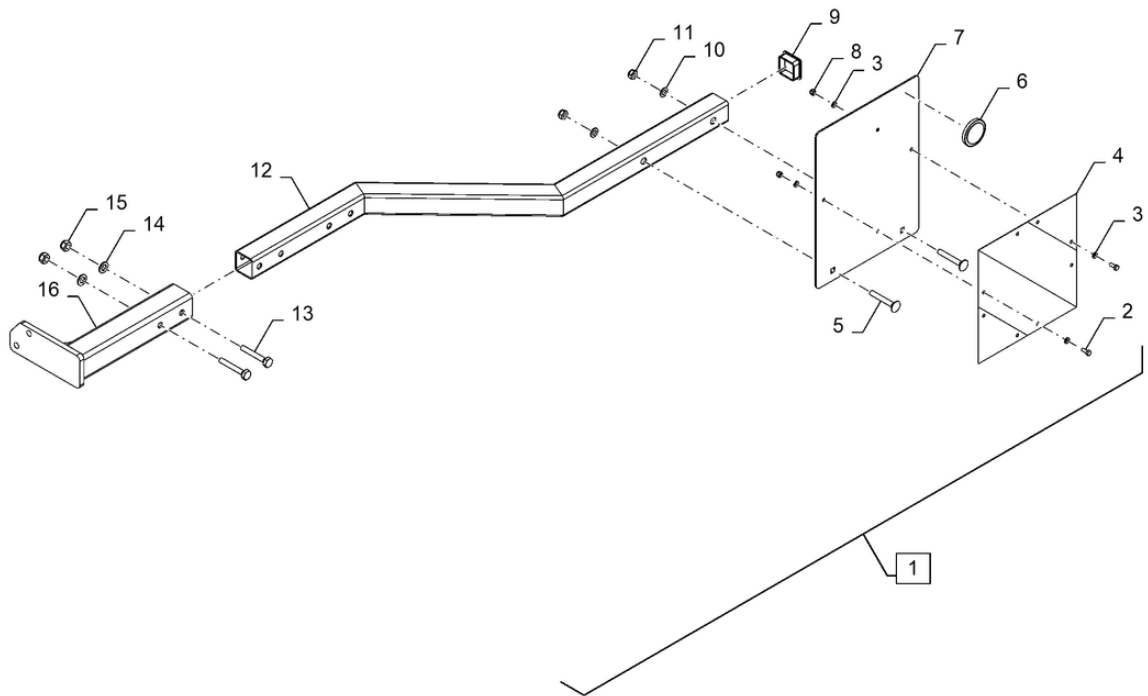
LIGHT KIT ASSEMBLY - RIGHT SIDE; (SN Break) After KTNKA210E00001338

REF	PN	QTY	DESCRIPTION	USAGE
1	330290105	1	LIGHT ASSY.	LIGHT KIT ASSEMBLY - RIGHT SIDE (Incl 2- 22)
2	86508568	9	BOLT Hex, M6 x 1 x 16mm, CI 8.8, Full Thd	BOLT M6X16 8.8 FZB DIN933
3	300332038	13	WASHER	WASHER M6 FZB DIN126
4	48064922	1	PLATE	SIGNAL PLATE - DECAL PUT ON A ALUMINUM SHEET
5	51529368	1	TURN/SMV LAMP	LAMP, POSITION, SEA / ECE STOP-TAIL RH
6	51529361	1	POSITION LAMP	LAMP, TURN / SMV, ECE DIR INDICATOR RH
7	500053263	1	WARNING DECAL	REAR RETRO-REFLECTOR (TRIANGULAR)
8	43476	2	BOLT Regular Sq Nk, M10 x 70mm, CI 8.8	CARRIAGE BOLT M10X70 CL. 8.8 ZND DIN603
9	330290062	1	PLATE	SHEET METAL FOR LIGHT KIT FIXING DK GREY
10	300316026	9	LOCK NUT M6 DIN985	NUT M6 DIN985
11	322356	5	BELLEVILLE WASHER M5 Bolt Size x 12mm OD x 1.85mm Thk	WASHER, BELLEVILLE, LOCK M5X12 ZNM
12	300316025	5	LOCK NUT DIN985 M5	SELF-LOCKING NUT M5 CL. 8 FZB DIN985
13	300082635	2	PLUG	PLASTIC PLUGE 50X50
14	43158	2	BOLT Hex, M12 x 1.75 x 80mm, CI 8.8	BOLT M12X80 CL. 8.8 ZND DIN931
15	330290119	1	HANDLE	LIGHT HANDLE SHEET RIGHT SIDE (PAINTED)
16	303100018	2	RING	CABLE PASS D=38,1MM
17	300332008	2	WASHER M12 FZB DIN126	WASHER M12 FZB DIN126
18	300316021	2	LOCK NUT M12 CL 8 FZB DIN985	NUT ISO 10511 M12-8-FZB
19	330290126	1	BEAM	PROFILE HORIZONTAL LIGHT KIT
20	330290085	1	COVER	REAR LIGHTS COVER PLATE
21	300332027	2	WASHER M10 FZB DIN126	WASHER M10 FZB DIN126
22	300316029	2	LOCK NUT	NUT ISO 10511 M10X1-8-FZB

015

p1

STONEBEAR FRONT LIGHT KIT ASSEMBLY LEFT SIDE; (SN Break) After KTNKA210E00001338



015

p1

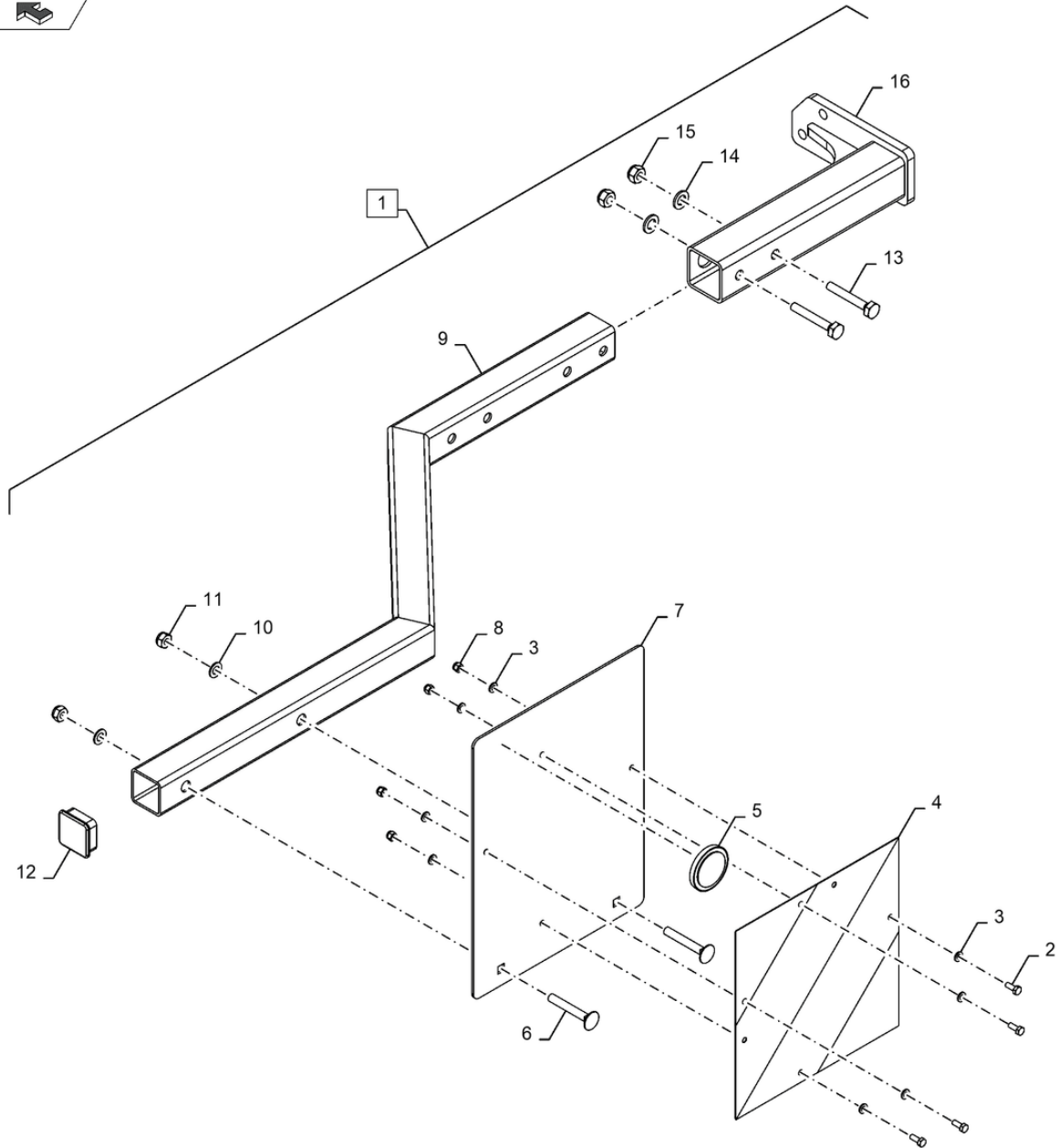
STONEBEAR FRONT LIGHT KIT ASSEMBLY LEFT SIDE; (SN Break) After KTNKA210E00001338

REF	PN	QTY	DESCRIPTION	USAGE
1	330290111	1	BEAM	STONEBEAR FRONT LIGHT KIT ASSEMBLY LEFT SIDE (Incl 2- 16)
2	86508568	4	BOLT Hex, M6 x 1 x 16mm, Cl 8.8, Full Thd	BOLT M6X16 CL. 8.8 ZND DIN931
3	300332038	8	WASHER	WASHER M6 FZB DIN126
4	48064922	1	PLATE	SIGNAL PLATE - DECAL PUT ON A ALUMINUM SHEET
5	43476	2	BOLT Regular Sq Nk, M10 x 70mm, Cl 8.8	CARRIAGE BOLT M10X70 CL. 8.8 ZND DIN603
6	500041244	1	REFLECTOR	REFLEX VIT, ?60
7	330290065	1	MOUNT	FRONT HOLDER FOR LIGHT
8	300316026	4	LOCK NUT M6 DIN985	NUT M6 DIN985
9	300082635	1	PLUG	PLASTIC PLUGE 50X50
10	300332027	2	WASHER M10 FZB DIN126	WASHER M10 FZB DIN126
11	300316029	2	LOCK NUT	NUT ISO 10511 M10X1-8-FZB
12	330290141	1	BEAM	HORIZONTAL FRONT BEAM ASSEMBLY
13	9706717	2	BOLT Hex, M12 x 1.75 x 70mm, Cl 8.8	BOLT M12X70 DIN931 CL.8.8
14	300332008	2	WASHER M12 FZB DIN126	WASHER M12 FZB DIN126
15	300316021	2	LOCK NUT M12 CL 8 FZB DIN985	NUT ISO 10511 M12-8-FZB
16	330290135	1	HANDLE	FRONT BEAM HANDLE LEFT SIDE DK_GREY

016

p1

STONEBEAR FRONT LIGHT KIT ASSEMBLY RIGHT SIDE; (SN Break) After KTNKA210E00001338



016

p1

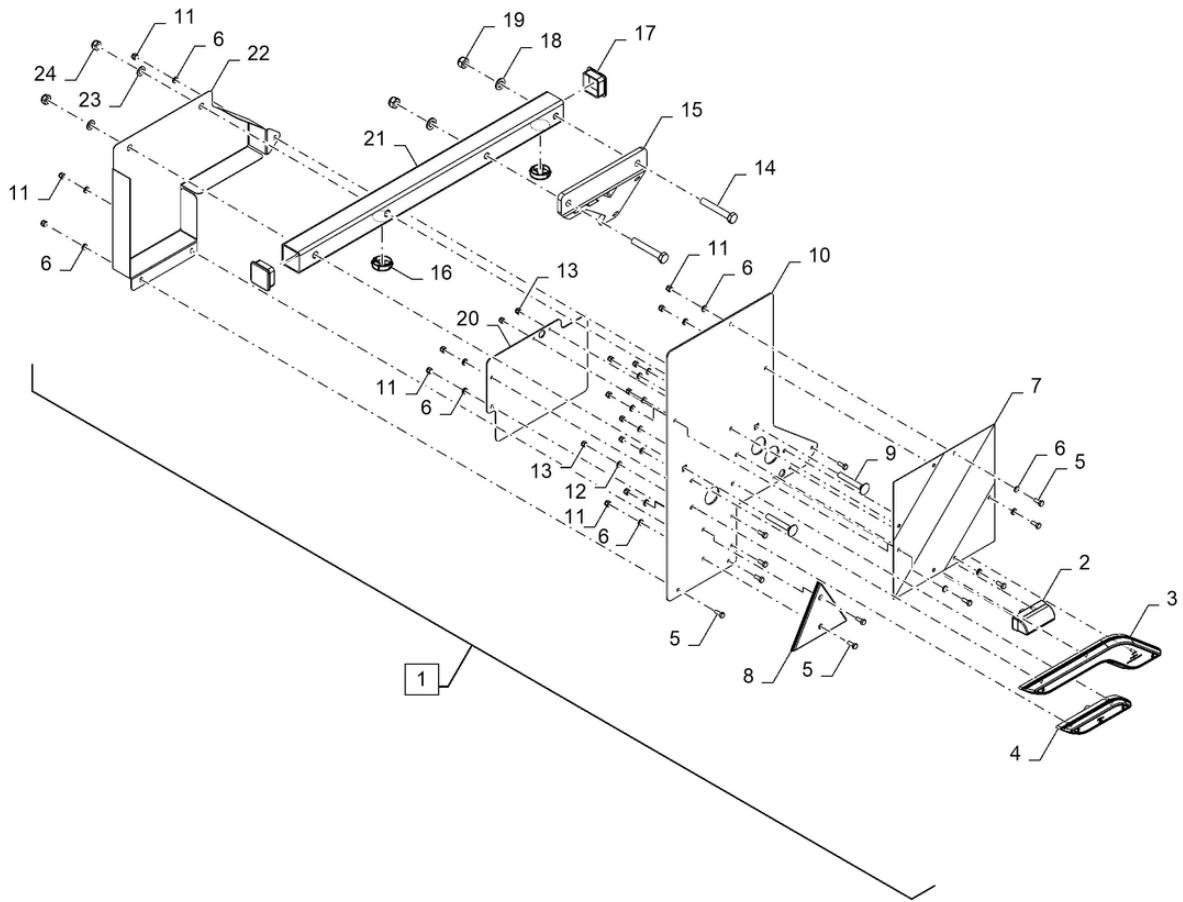
STONEBEAR FRONT LIGHT KIT ASSEMBLY RIGHT SIDE; (SN Break) After KTNKA210E00001338

REF	PN	QTY	DESCRIPTION	USAGE
1	330290112	1	BEAM	STONEBEAR FRONT LIGHT KIT ASSEMBLY RIGHT SIDE (Incl 2- 16)
2	86508568	4	BOLT Hex, M6 x 1 x 16mm, Cl 8.8, Full Thd	BOLT M6X16 CL. 8.8 ZND DIN931
3	300332038	8	WASHER	WASHER M6 FZB DIN126
4	48064922	1	PLATE	SIGNAL PLATE - DECAL PUT ON A ALUMINUM SHEET
5	500041244	1	REFLECTOR	REFLEX VIT, ?60
6	43476	2	BOLT Regular Sq Nk, M10 x 70mm, Cl 8.8	CARRIAGE BOLT M10X70 CL. 8.8 ZND DIN603
7	330290065	1	MOUNT	FRONT HOLDER FOR LIGHT
8	300316026	4	LOCK NUT M6 DIN985	NUT M6 DIN985
9	330290141	1	BEAM	HORIZONTAL FRONT BEAM ASSEMBLY
10	300332027	2	WASHER M10 FZB DIN126	WASHER M10 FZB DIN126
11	300316029	2	LOCK NUT	NUT ISO 10511 M10X1-8-FZB
12	300082635	1	PLUG	PLASTIC PLUGE 50X50
13	9706717	2	BOLT Hex, M12 x 1.75 x 70mm, Cl 8.8	BOLT M12X70 DIN931 CL.8.8
14	300332008	2	WASHER M12 FZB DIN126	WASHER M12 FZB DIN126
15	300316021	2	LOCK NUT M12 CL 8 FZB DIN985	NUT ISO 10511 M12-8-FZB
16	330290136	1	HANDLE	FRONT BEAM HANDLE RIGHT SIDE DK_GREY

017

p1

LIGHT KIT ASSEMBLY - LEFT SIDE; (SN Break) After KTNKA210E00001338



017

p1

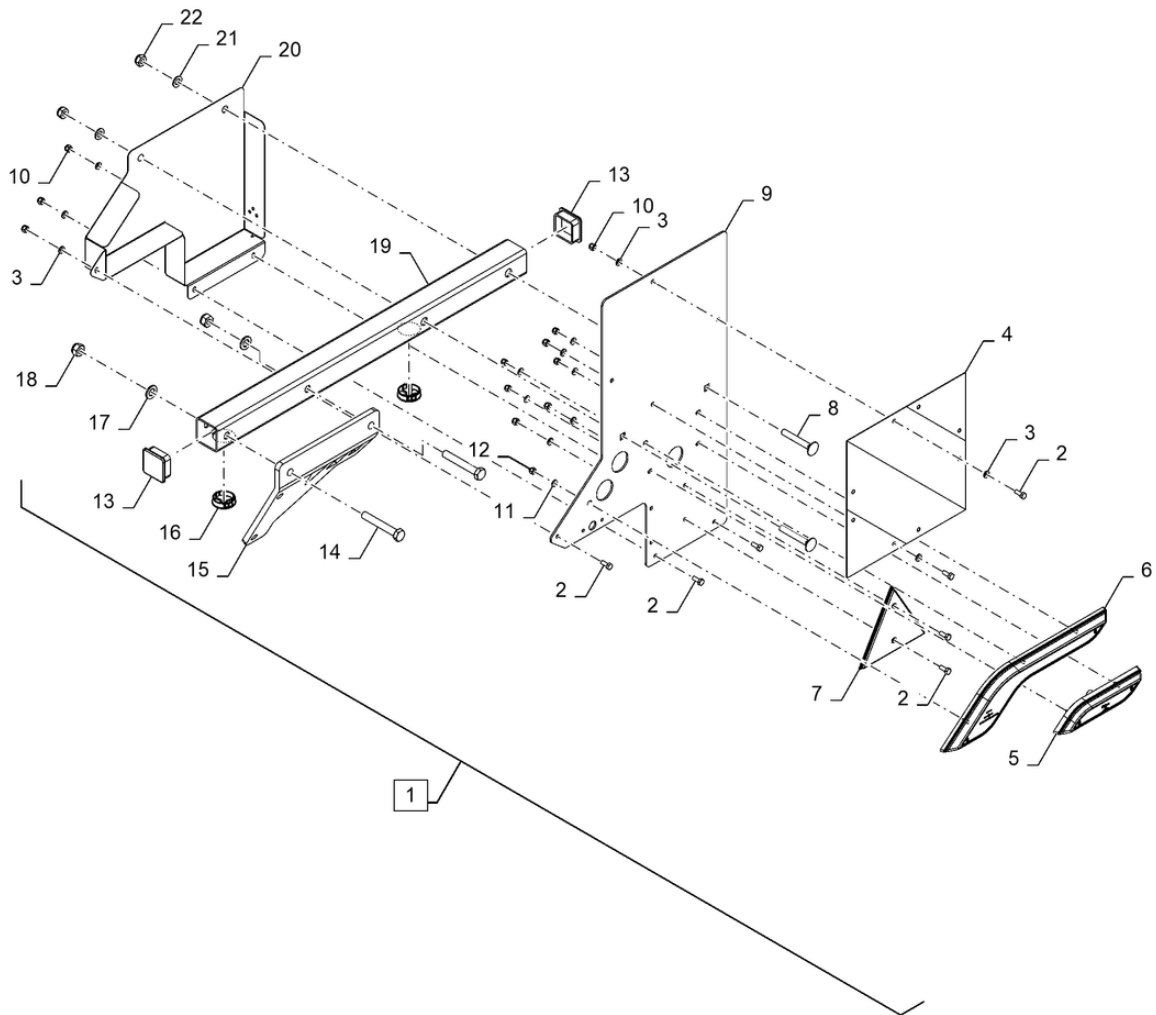
LIGHT KIT ASSEMBLY - LEFT SIDE; (SN Break) After KTNKA210E00001338

REF	PN	QTY	DESCRIPTION	USAGE
1	330290113	1	LIGHT ASSY.	LIGHT KIT ASSEMBLY - LEFT SIDE (Incl 2- 24)
2	330290077	1	LAMP	REAR REGISTRATION PLATE LAMP
3	51529365	1	POSITION LAMP	LAMP, POSITION, SAE / ECE STOP- TAIL LH
4	51529369	1	TURN/SMV LAMP	LAMP, TURN / SMV, ECE DIR INDICATOR LH
5	86508568	11	BOLT Hex, M6 x 1 x 16mm, Cl 8.8, Full Thd	BOLT, M6X16 FULL 8.8 ZND
6	300332038	15	WASHER	WASHER M6 FZB DIN126
7	48064922	1	PLATE	SIGNAL PLATE - DECAL PUT ON A ALUMINUM SHEET
8	500053263	1	WARNING DECAL	REAR RETRO-REFLECTOR (TRIANGULAR)
9	43476	2	BOLT Regular Sq Nk, M10 x 70mm, Cl 8.8	CARRIAGE BOLT M10X70 CL. 8.8 ZND DIN603
10	330290062	1	PLATE	SHEET METAL FOR LIGHT KIT FIXING DK GREY
11	300316026	11	LOCK NUT M6 DIN985	NUT M6 DIN985
12	322356	5	BELLEVILLE WASHER M5 Bolt Size x 12mm OD x 1.85mm Thk	WASHER, BELLEVILLE, LOCK M5X12 ZNM
13	300316025	7	LOCK NUT DIN985 M5	SELF-LOCKING NUT M5 CL. 8 FZB DIN985
14	43158	2	BOLT Hex, M12 x 1.75 x 80mm, Cl 8.8	BOLT M12X80 CL. 8.8 ZND DIN931
15	330290120	1	HANDLE	LIGHT HANDLE SHEET LEFT SIDE (PAINTED)
16	303100018	2	RING	CABLE PASS D=38,1MM
17	300082635	2	PLUG	PLASTIC PLUGE 50X50
18	300332008	2	WASHER M12 FZB DIN126	WASHER M12 FZB DIN126
19	300316021	2	LOCK NUT M12 CL 8 FZB DIN985	NUT ISO 10511 M12-8-FZB
20	330290128	1	SUPPORT	REGISTRATION PLATE SUPPORT (GREY)
21	330290126	1	BEAM	PROFILE HORIZONTAL LIGHT KIT
22	330290084	1	COVER	CONNECTORS COVER - LEFT SIDE DK_GREY
23	300332027	2	WASHER M10 FZB DIN126	WASHER M10 FZB DIN126
24	300316029	2	LOCK NUT	NUT ISO 10511 M10X1-8-FZB

018

p1

LIGHT KIT ASSEMBLY - RIGHT SIDE; (SN Break) After KTNKA210E00001338



018

p1

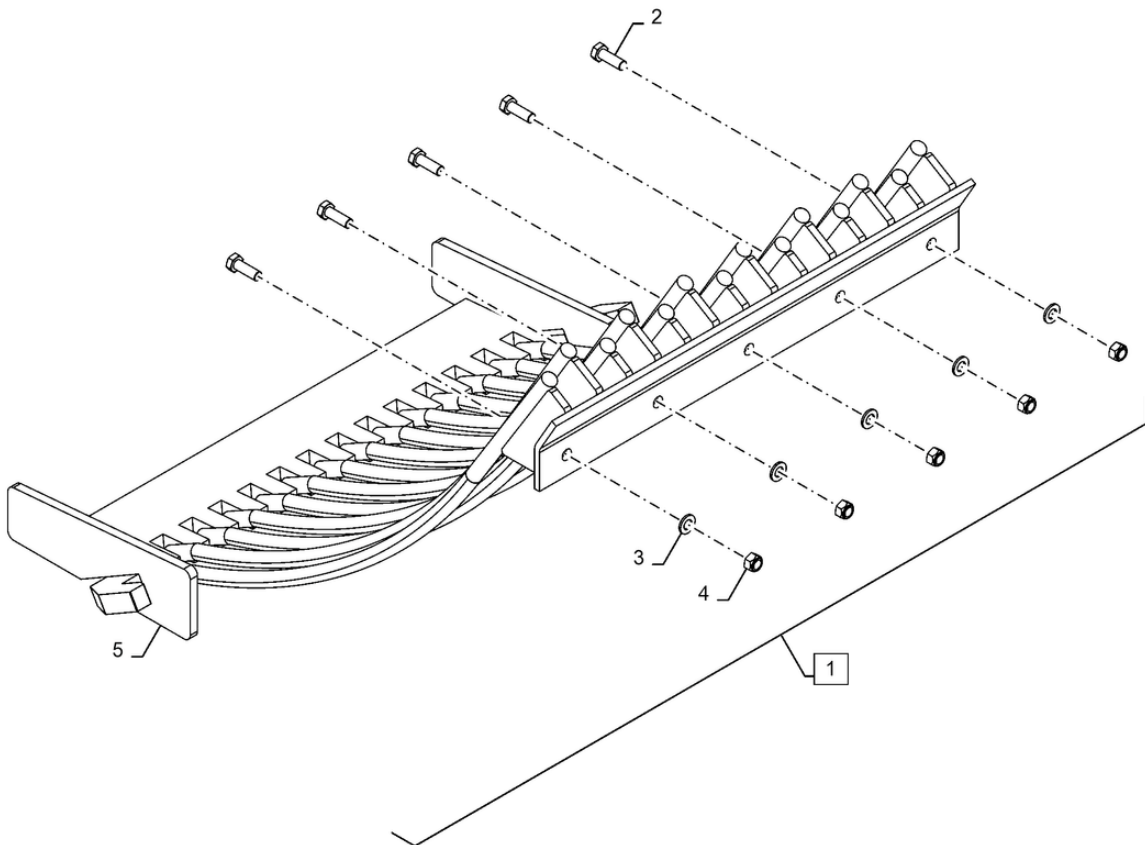
LIGHT KIT ASSEMBLY - RIGHT SIDE; (SN Break) After KTNKA210E00001338

REF	PN	QTY	DESCRIPTION	USAGE
1	330290114	1	LIGHT ASSY.	LIGHT KIT ASSEMBLY - RIGHT SIDE (Incl 2- 22)
2	86508568	9	BOLT Hex, M6 x 1 x 16mm, CI 8.8, Full Thd	BOLT M6X16 8.8 FZB DIN933
3	300332038	13	WASHER	WASHER M6 FZB DIN126
4	48064922	1	PLATE	SIGNAL PLATE - DECAL PUT ON A ALUMINUM SHEET
5	51529368	1	TURN/SMV LAMP	LAMP, POSITION, SEA / ECE STOP-TAIL RH
6	51529361	1	POSITION LAMP	LAMP, TURN / SMV, ECE DIR INDICATOR RH
7	500053263	1	WARNING DECAL	REAR RETRO-REFLECTOR (TRIANGULAR)
8	43476	2	BOLT Regular Sq Nk, M10 x 70mm, CI 8.8	CARRIAGE BOLT M10X70 CL. 8.8 ZND DIN603
9	330290062	1	PLATE	SHEET METAL FOR LIGHT KIT FIXING DK GREY
10	300316026	9	LOCK NUT M6 DIN985	NUT M6 DIN985
11	322356	5	BELLEVILLE WASHER M5 Bolt Size x 12mm OD x 1.85mm Thk	WASHER, BELLEVILLE, LOCK M5X12 ZNM
12	300316025	5	LOCK NUT DIN985 M5	SELF-LOCKING NUT M5 CL. 8 FZB DIN985
13	300082635	2	PLUG	PLASTIC PLUGE 50X50
14	43158	2	BOLT Hex, M12 x 1.75 x 80mm, CI 8.8	BOLT M12X80 CL. 8.8 ZND DIN931
15	330290119	1	HANDLE	LIGHT HANDLE SHEET RIGHT SIDE (PAINTED)
16	303100018	2	RING	CABLE PASS D=38,1MM
17	300332008	2	WASHER M12 FZB DIN126	WASHER M12 FZB DIN126
18	300316021	2	LOCK NUT M12 CL 8 FZB DIN985	NUT ISO 10511 M12-8-FZB
19	330290126	1	BEAM	PROFILE HORIZONTAL LIGHT KIT
20	330290085	1	COVER	REAR LIGHTS COVER PLATE
21	300332027	2	WASHER M10 FZB DIN126	WASHER M10 FZB DIN126
22	300316029	2	LOCK NUT	NUT ISO 10511 M10X1-8-FZB

024

p1

SCREEN 28MM - DIA KIT



024

p1

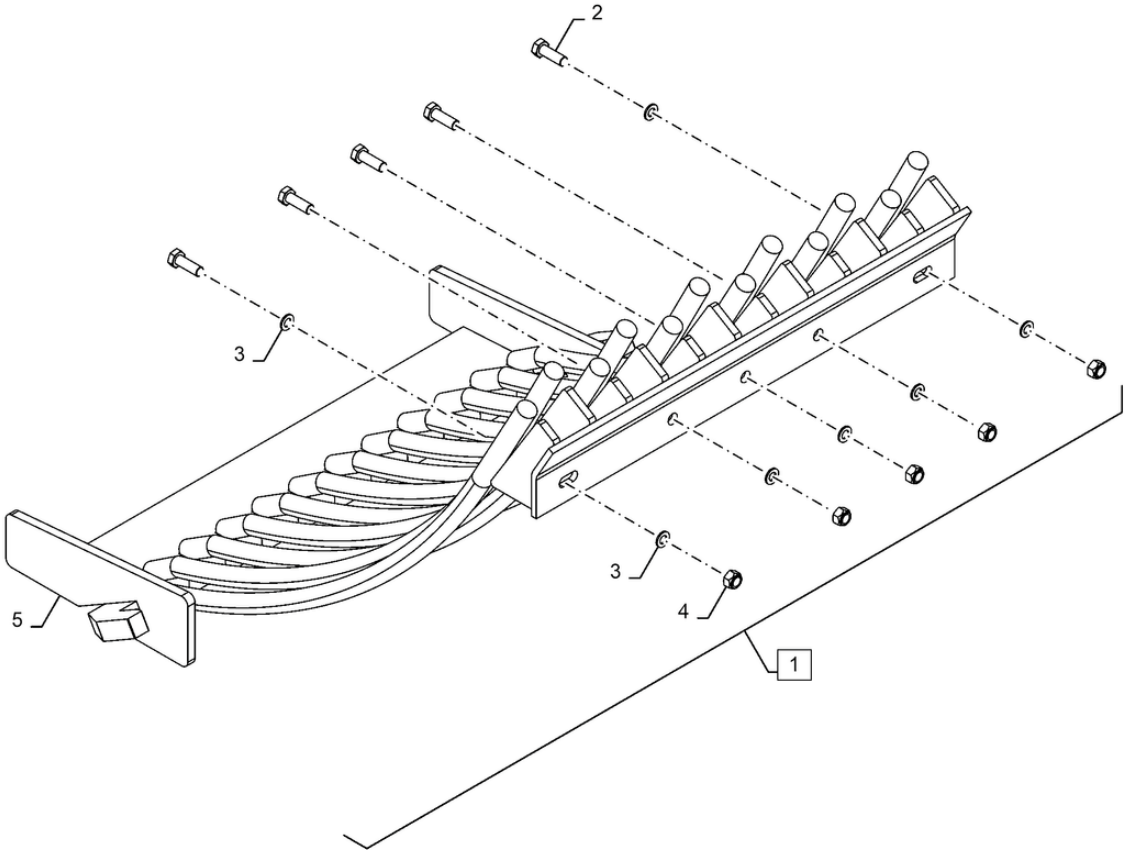
SCREEN 28MM - DIA KIT

REF	PN	QTY	DESCRIPTION	USAGE
1	92045666	1	DIA KIT, HARVESTER	Screen 28mm - DIA KIT (Incl. 2 - 5)
2	300389	5	BOLT Hex, M12 x 1.75 x 35mm, Cl 8.8, Full Thd	Bolt M12x35 cl. 8.8 ZND DIN933
3	86511324	5	WASHER 13mm ID x 24mm OD x 2.5mm Thk	Washer M12 CST ZND DIN126
4	300316021	5	LOCK NUT M12 CL 8 FZB DIN985	LOCK NUT. M12 cl.8 FZB DIN985
5	500068621	1	DIA KIT, HARVESTER	Screen 28mm WA CNHi DARK GREY

025

p1

SCREEN 35MM - DIA KIT



025

p1

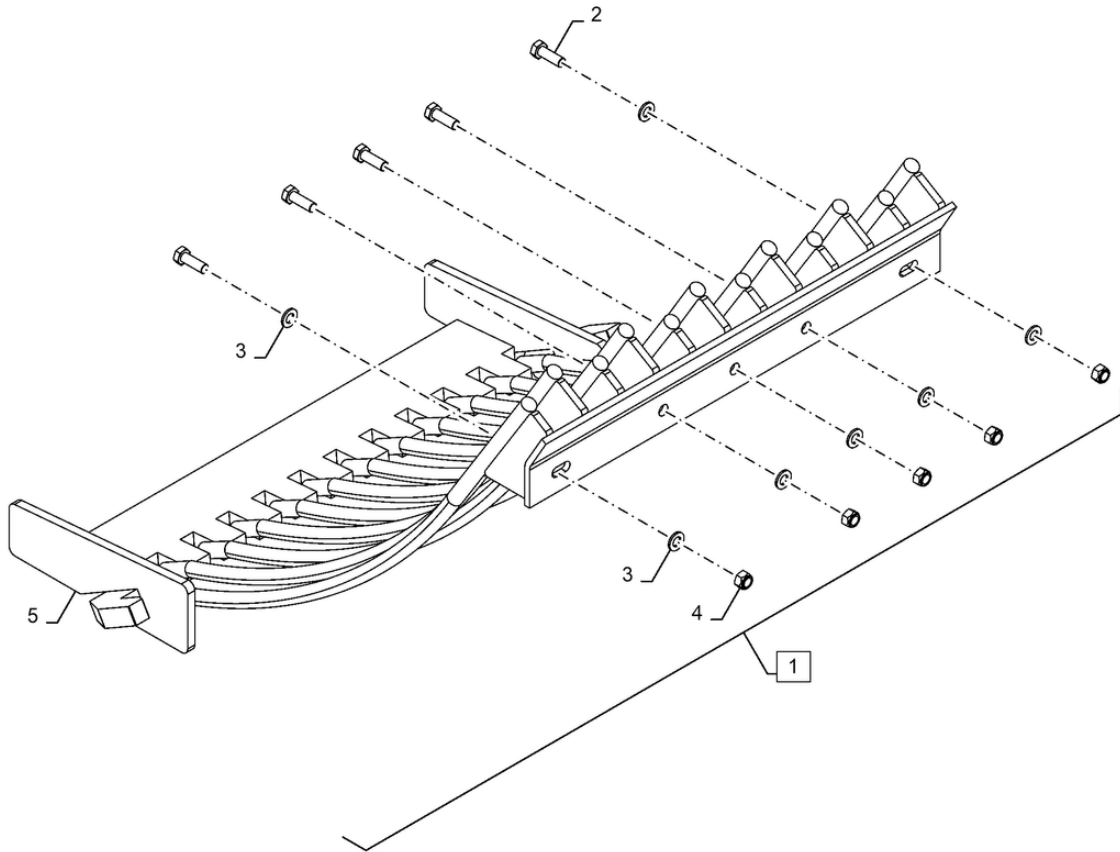
SCREEN 35MM - DIA KIT

REF	PN	QTY	DESCRIPTION	USAGE
1	92045667	1	DIA KIT, HARVESTER	Screen 35mm - DIA KIT
2	300389	5	BOLT Hex, M12 x 1.75 x 35mm, Cl 8.8, Full Thd	Bolt M12x35 cl. 8.8 ZND DIN933
3	87529298	7	WASHER 11mm ID x 21mm OD x 2mm Thk	Washer M10 CST DOR DIN126
4	300316021	5	LOCK NUT M12 CL 8 FZB DIN985	LOCK NUT. M12 cl.8 FZB DIN985
5	500068615	1	DIA KIT, HARVESTER	Screen 35mm WA CNHi DARK GREY

026

p1

SCREEN 40MM - DIA KIT



026

p1

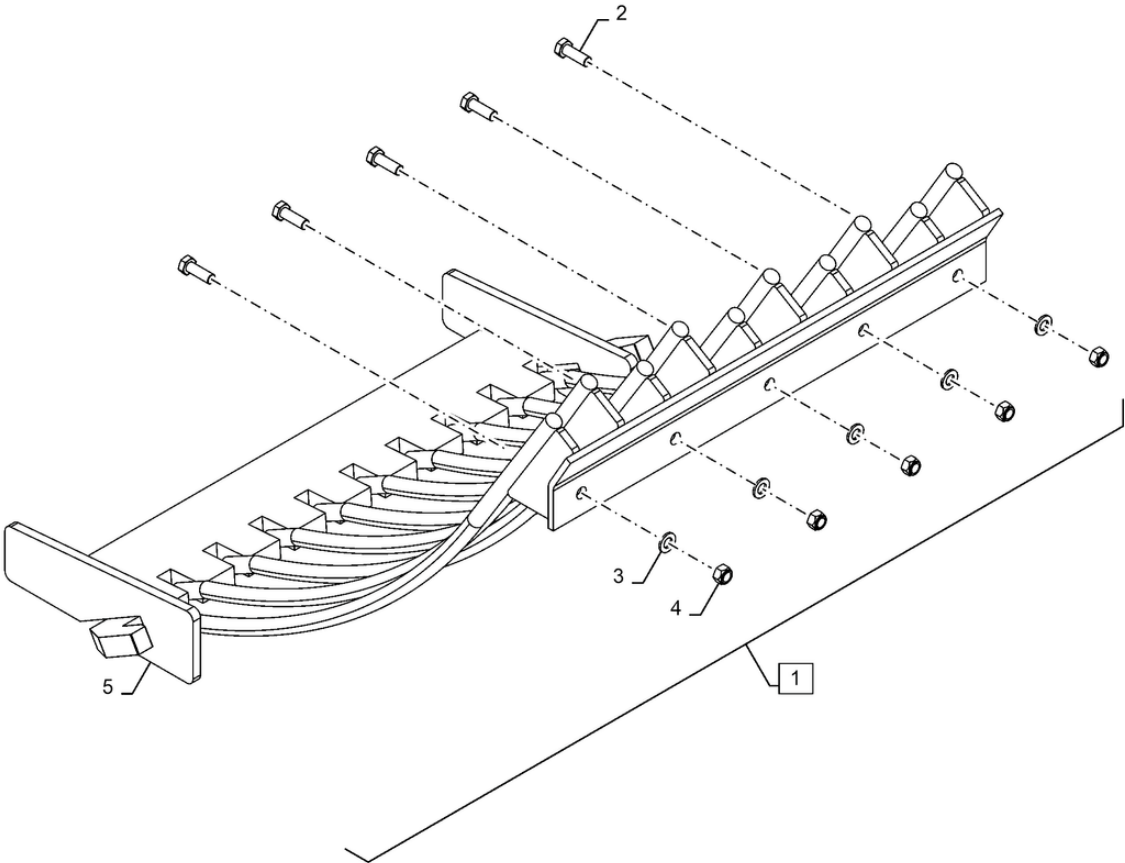
SCREEN 40MM - DIA KIT

REF	PN	QTY	DESCRIPTION	USAGE
1	92045668	1	DIA KIT, HARVESTER	Screen 40mm - DIA KIT (Incl. 2 - 5)
2	300389	5	BOLT Hex, M12 x 1.75 x 35mm, Cl 8.8, Full Thd	Bolt M12x35 cl. 8.8 ZND DIN933
3	86511324	7	WASHER 13mm ID x 24mm OD x 2.5mm Thk	Washer M12 CST ZND DIN126
4	300316021	5	LOCK NUT M12 CL 8 FZB DIN985	LOCK NUT. M12 cl.8 FZB DIN985
5	500068616	1	DIA KIT, HARVESTER	Screen 40mm WA CNHi DARK GREY

027

p1

SCREEN 50MM - DIA KIT



027

p1

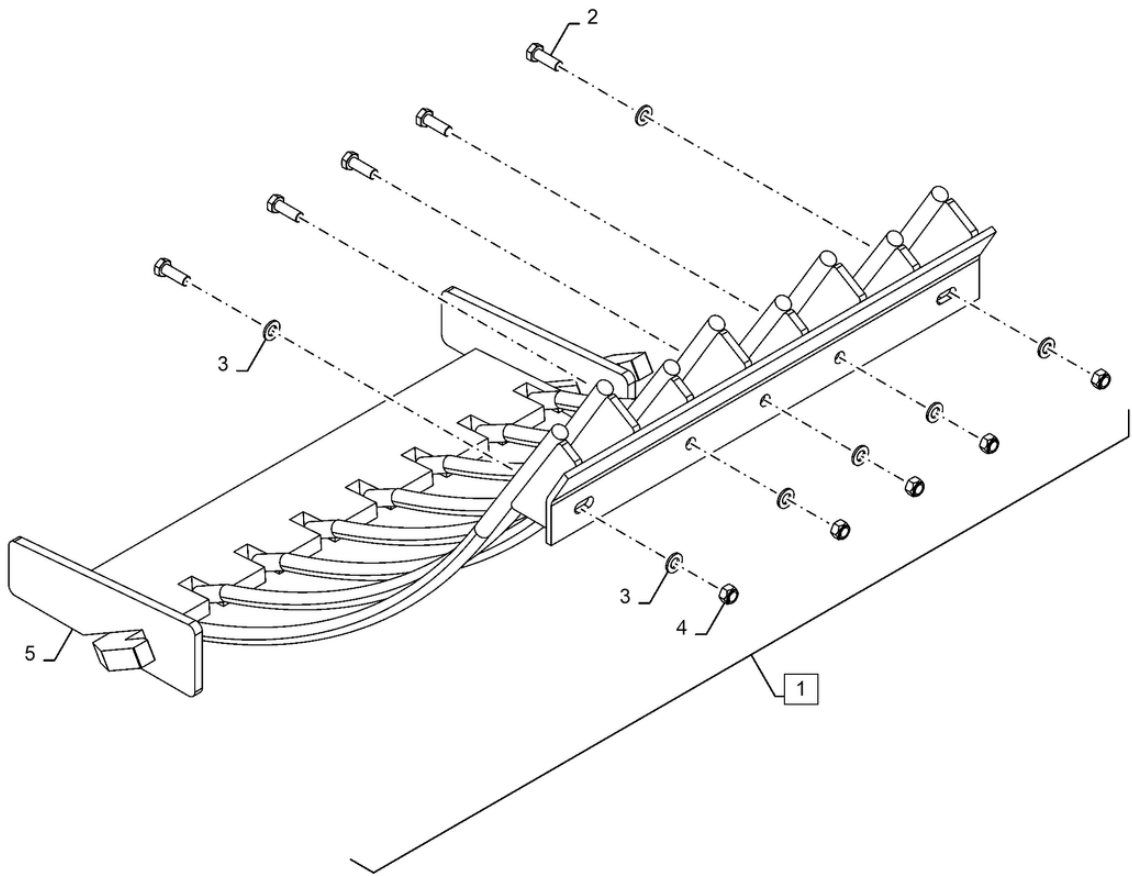
SCREEN 50MM - DIA KIT

REF	PN	QTY	DESCRIPTION	USAGE
1	92045669	1	DIA KIT, HARVESTER	Screen 50mm - DIA KIT (Incl. 2- 5)
2	300389	5	BOLT Hex, M12 x 1.75 x 35mm, Cl 8.8, Full Thd	Bolt M12x35 cl. 8.8 ZND DIN933
3	86511324	5	WASHER 13mm ID x 24mm OD x 2.5mm Thk	Washer M12 CST ZND DIN126
4	300316021	5	LOCK NUT M12 CL 8 FZB DIN985	LOCK NUT. M12 cl.8 FZB DIN985
5	500068617	1	DIA KIT, HARVESTER	Screen 50mm WA CNHi DARK GREY

028

p1

SCREEN 70MM - DIA KIT



028

p1

SCREEN 70MM - DIA KIT

REF	PN	QTY	DESCRIPTION	USAGE
1	92045670	1	DIA KIT, HARVESTER	Screen 70mm - DIA KIT (Incl. 2 - 5)
2	300389	5	BOLT Hex, M12 x 1.75 x 35mm, Cl 8.8, Full Thd	Bolt M12x35 cl. 8.8 ZND DIN933
3	86511324	7	WASHER 13mm ID x 24mm OD x 2.5mm Thk	Washer M12 CST ZND DIN126
4	300316021	5	LOCK NUT M12 CL 8 FZB DIN985	LOCK NUT. M12 cl.8 FZB DIN985
5	500068618	1	DIA KIT, HARVESTER	Screen 70mm WA CNHi DARK GREY