

SERVICE PARTS CATALOGUE

MODEL

STONEBEAR S 4000 - Rock Collector (01/03 - 12/13)

Print Date: 08/2024

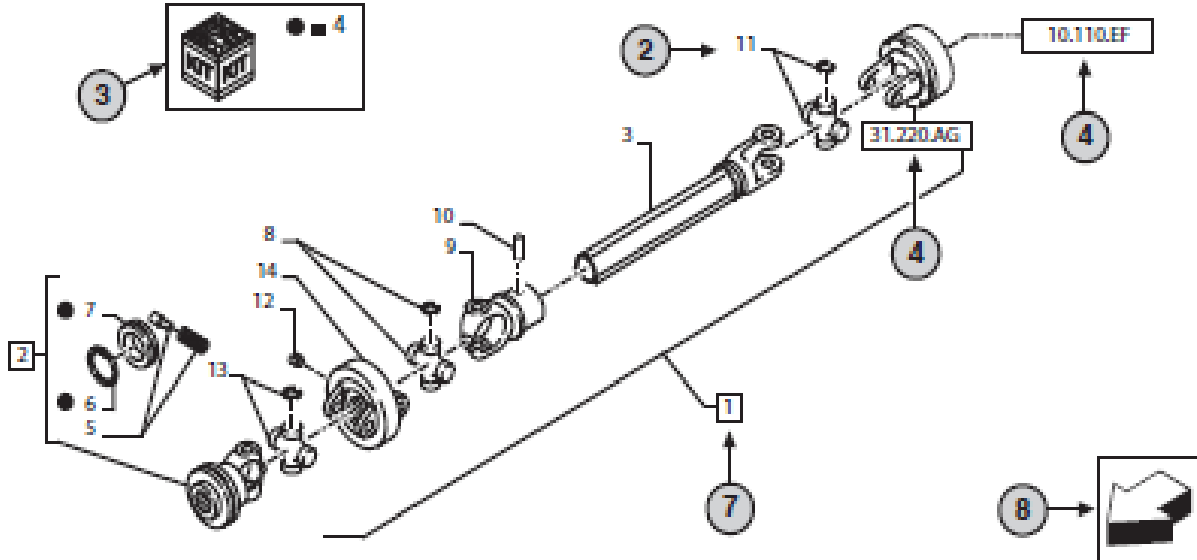
31.220.AD

01

p1

10/2014

VAR - 123782, 789101,987654 - PTO - D650

**STANDARD** ← 6

23

9

10

31.220.AD

01

p1

10/2014

VAR - 123782, 789101,987654 - PTO - D650

11

12

13

14

REF	FN	PART NUMBER	YR/SN	QTY	DESCRIPTION
1	1	86529340	↑ 20	1	SHAFT PTO, Incl 2 - 11
2	↑ 15	84014007		1	YOKE, Incl 4 -7 ← 7
3	↑ 16	NSS		1	NOT SERVICED SEPARATELY, SHAFT, 350mm, Incl In 1
4		84004292		1	KIT, Seal Kit, Incl 6, 7 ↑ 17
4		{84058743}		1	KIT, Seal Kit, Incl 6, 7
2	↑			↑ 21	
18	↑			↑ 22	
19	↑				
1 - FOR ITALY ONLY ← 5					

MODELS ← 1


- 1 Model Number and Model Description
- 2 Reference - Figure call-out of the part number.
- 3 Parts supplied in repair kits per symbol reference.
- 4 31.220.AD Part illustrated on the **Page** or in the **Figure** indicated, or calls for **Variations** or **Details**. Indicates components shown in detail elsewhere in the catalogue under the figure number shown.
- 5 Footnote references
- 6 Figure notes
- 7 1 2 Includes item(s) (See Description within partlist.)
- 8 Orientation. (Arrow indicates front of the machine). 
- 9 Figure description.
- 10 General information of the figure.
- 11 Figure title number that aligns with the SRT. Standard Repair Time.
- 12 **Sequence** code within the assembly.
- 13 Page number within the sequence code.
- 14 **Date** of printing or updating of page (month-year).
- 15 **Note** - Relating to the Part Number. There is a key to symbols and abbreviations at the bottom of the text page.
- 16 Non-serviced parts.
- 17 Further description of the part to help confirm identification.
- 18 Not available as service part.
- 19 Part Number.
- 20 To be defined.
- 21 Total **Quantity** of the Part referred to in the page.
The quantity can be replaced by the following indications:
AR = quantity as requested.
- 22 Part **Description**.
- 23 Variant Codes

TABLE OF CONTENTS

001	001
002	002
002A	GEAR BOX , STONEBEAR
003	003
003A	DRIVESHAFT
004	004
005	005
006	006
007	007
008	008
009	009
010	010
011	011
012	LIGHT KIT ASSEMBLY - LEFT SIDE; (SN Break) After KTNKA210E00001338
013	LIGHT KIT ASSEMBLY - RIGHT SIDE; (SN Break) After KTNKA210E00001338
014	STONEBEAR FRONT LIGHT KIT ASSEMBLY LEFT SIDE; (SN Break) After KTNKA210E00001338
015	STONEBEAR FRONT LIGHT KIT ASSEMBLY RIGHT SIDE; (SN Break) After KTNKA210E00001338
016	LIGHT KIT ASSEMBLY - LEFT SIDE; (SN Break) After KTNKA210E00001338
017	LIGHT KIT ASSEMBLY - RIGHT SIDE; (SN Break) After KTNKA210E00001338
024	SCREEN 28MM - DIA KIT
025	SCREEN 35MM - DIA KIT
026	SCREEN 40MM - DIA KIT
027	SCREEN 50MM - DIA KIT
028	SCREEN 70MM - DIA KIT

SECTION INDEX

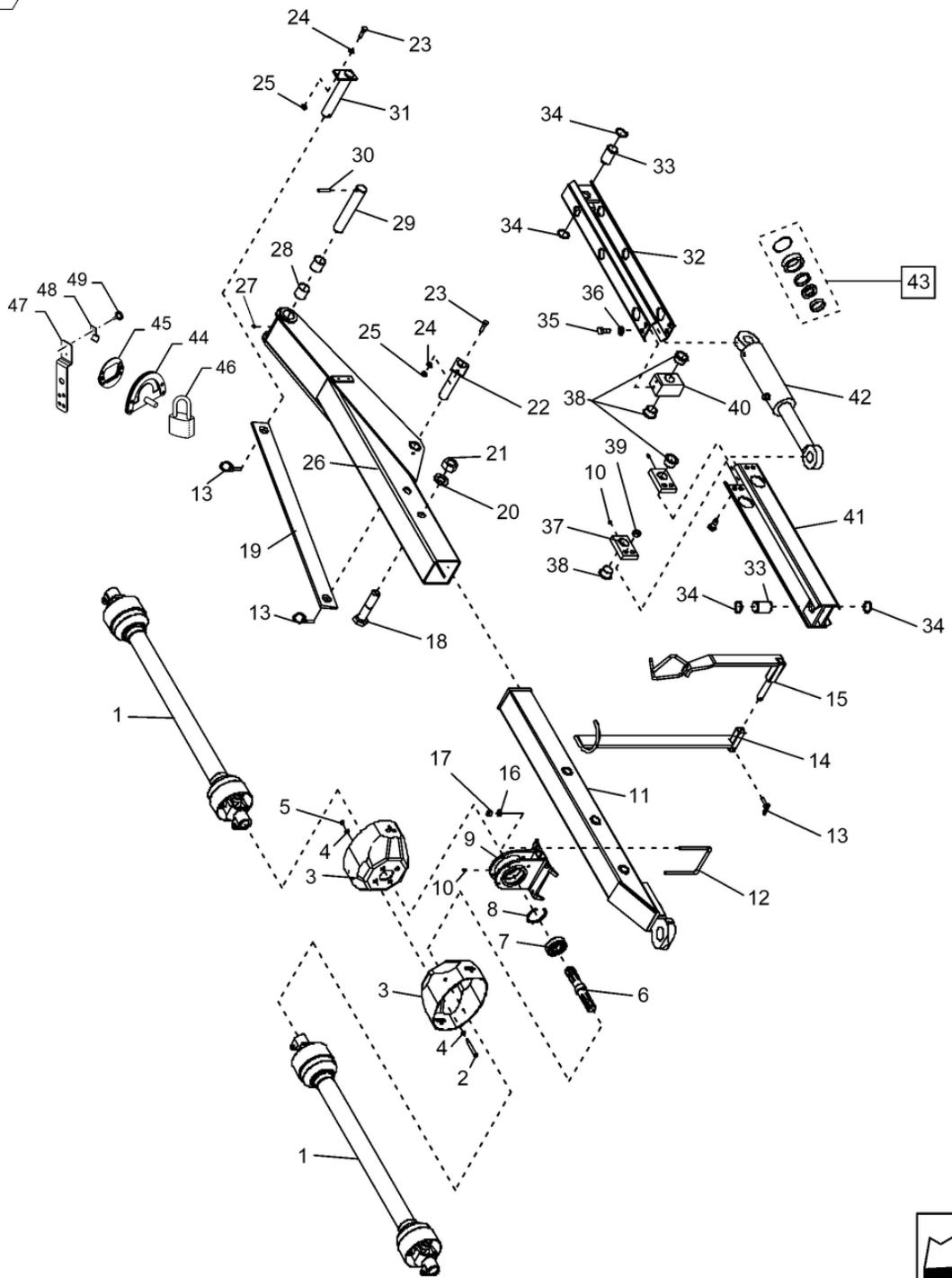
GENERAL

001	001
002	002
002A	GEAR BOX , STONEBEAR
003	003
003A	DRIVESHAFT
004	004
005	005
006	006
007	007
008	008
009	009
010	010
011	011
012	LIGHT KIT ASSEMBLY - LEFT SIDE; (SN Break) After KTNKA210E00001338
013	LIGHT KIT ASSEMBLY - RIGHT SIDE; (SN Break) After KTNKA210E00001338
014	STONEBEAR FRONT LIGHT KIT ASSEMBLY LEFT SIDE; (SN Break) After KTNKA210E00001338
015	STONEBEAR FRONT LIGHT KIT ASSEMBLY RIGHT SIDE; (SN Break) After KTNKA210E00001338
016	LIGHT KIT ASSEMBLY - LEFT SIDE; (SN Break) After KTNKA210E00001338
017	LIGHT KIT ASSEMBLY - RIGHT SIDE; (SN Break) After KTNKA210E00001338
024	SCREEN 28MM - DIA KIT
025	SCREEN 35MM - DIA KIT
026	SCREEN 40MM - DIA KIT
027	SCREEN 50MM - DIA KIT
028	SCREEN 70MM - DIA KIT

001

p1

001



001

p1

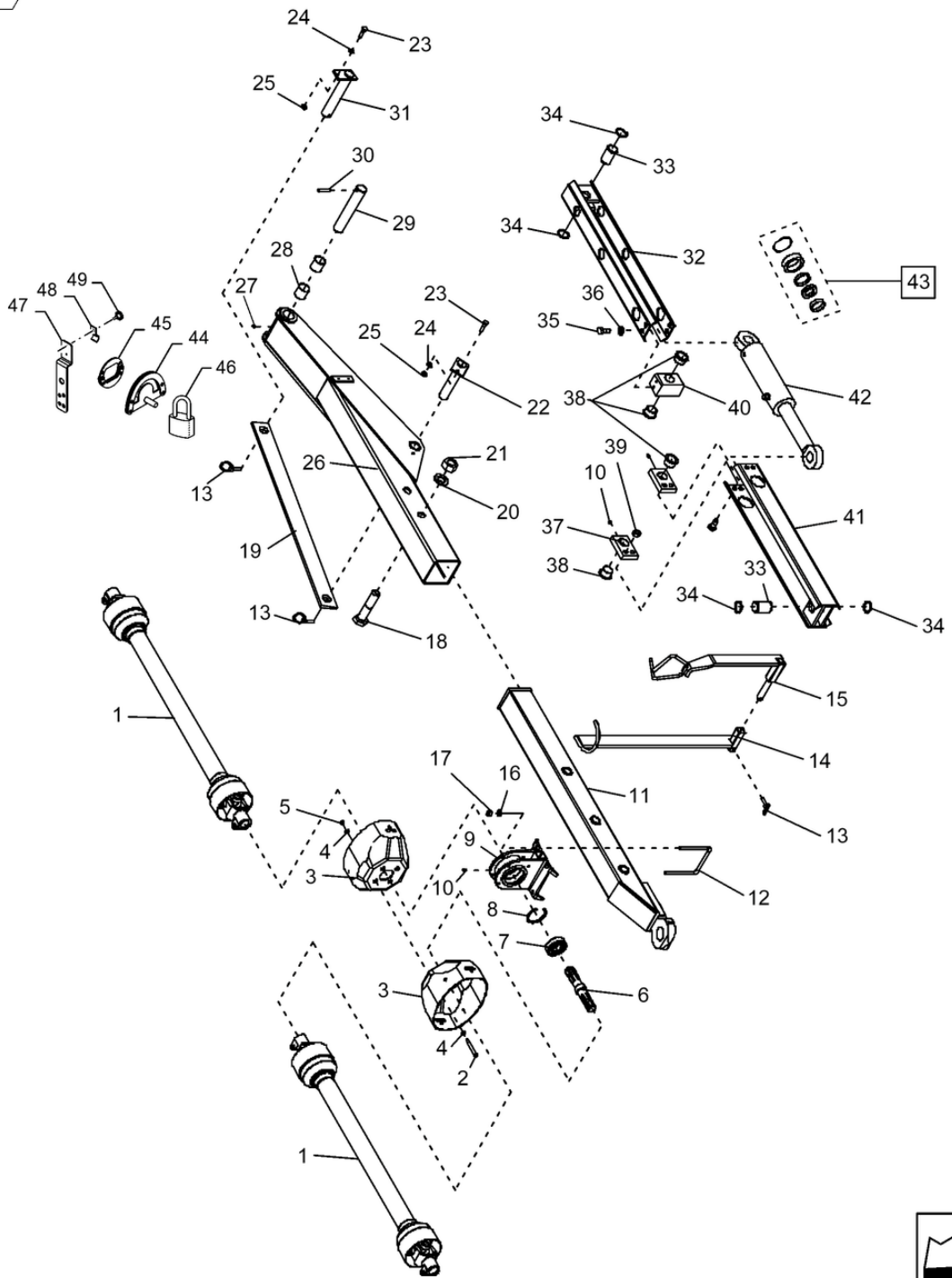
001

REF	PN	QTY	DESCRIPTION	USAGE
1	500068811	2	PTO SHAFT	SHAFT
2	500031464	4	SCREW	M8x80 HEX HEAD
3	330044070	2	GUARD	GUARD
4	500163517	8	WASHER	M8 WASHER DIN440
5	500057550	4	NUT	M8 LOCK NUT
6	500068134	1	AXLE	
7	500031184	2	BALL BEARING	6207 RS
8	500086140	2	CIRCLIP	J72x2.5 DIN472
9	500068132	1	BEARING HOUSING	
10	500030263	1	NIPPLE	M6 LUBRICANT NIPPLE
11	500037153	1	DRAWBAR	
12	500068133	2	U-BOLT	U-BOLT
13	500040150	2	PIN	LINCH PIN D9
14	500068136	1	SUPPORT	
15	500068135	1	SUPPORT	
16	500010462	2	WASHER	M12 WASHER
17	500056448	2	LOCK NUT	M12 LOCK NUT
18	500068141	1	BOLT	M30x160 HEX HEAD
19	500068138	1	LOCK	
20	500068142	1	TRAY	M30 WASHER
21	500089121	1	CROWN NUT	M30 LOCK NUT
22	500068129	1	PIN	
23	500040702	2	SCREW	M10x20 HEX HEAD
24	500010607	2	WASHER	M10 WASHER
25	500057379	2	NUT	M10 LOCK NUT
26	500068122	1	FRAME	
27	500010761	1	NIPPLE	M8 LUBRICATION NIPPLE
28	500087593	2	BUSHING	GT454040
29	500068123	1	PIN	
30	500068143	1	PIN	SPRING PIN D10x70 DIN1481
31	500068128	1	PIN	
32	500068125	1	PLATE	
33	500068130	2	SLEEVE	
34	500085809	4	O-RING	A40x1.75
35	500063135	8	SCREW	M16x25 HEX HEAD
36	500030887	4	WASHER	M16 WASHER

001

p2

001



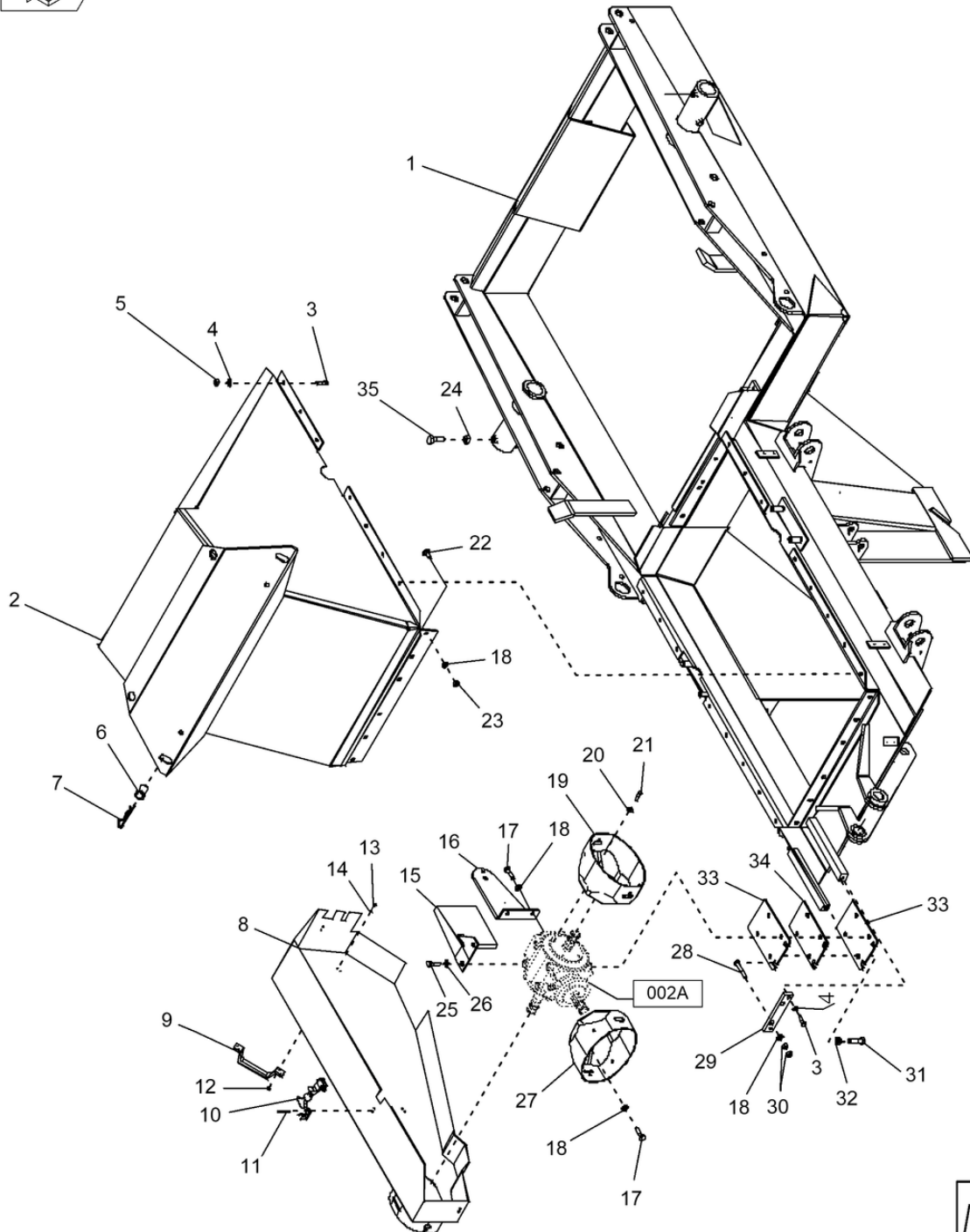
001

p2

001

REF	PN	QTY	DESCRIPTION	USAGE
37	500068126	2	PLATE	
38	500068131	4	BUSHING	35/39/50x22 PDE-F
39	500053190	4	NUT	M16 LOCK NUT
40	500068127	1	SUPPORT	
41	500068124	1	PLATE	
42	500680513	1	HYDRAULIC CYLINDER	
43	500068144	1	WIRE	SEALING KIT
44	330024137	1	PROTECTOR	Anti-theft protection drawbar
45	330024138	1	PROTECTOR	Anti-theft protection drawbar
46	41653824100	1	PADLOCK	PADLOCK
47	330024038	1	SUPPORT	SUPPORT FOR ANTI-THEFT SYSTEM
48	812112-978X	1	CLAMP	CLAMP
49	303021284	1	BOLT	BOLT WITH HANDLE, M6 X 20

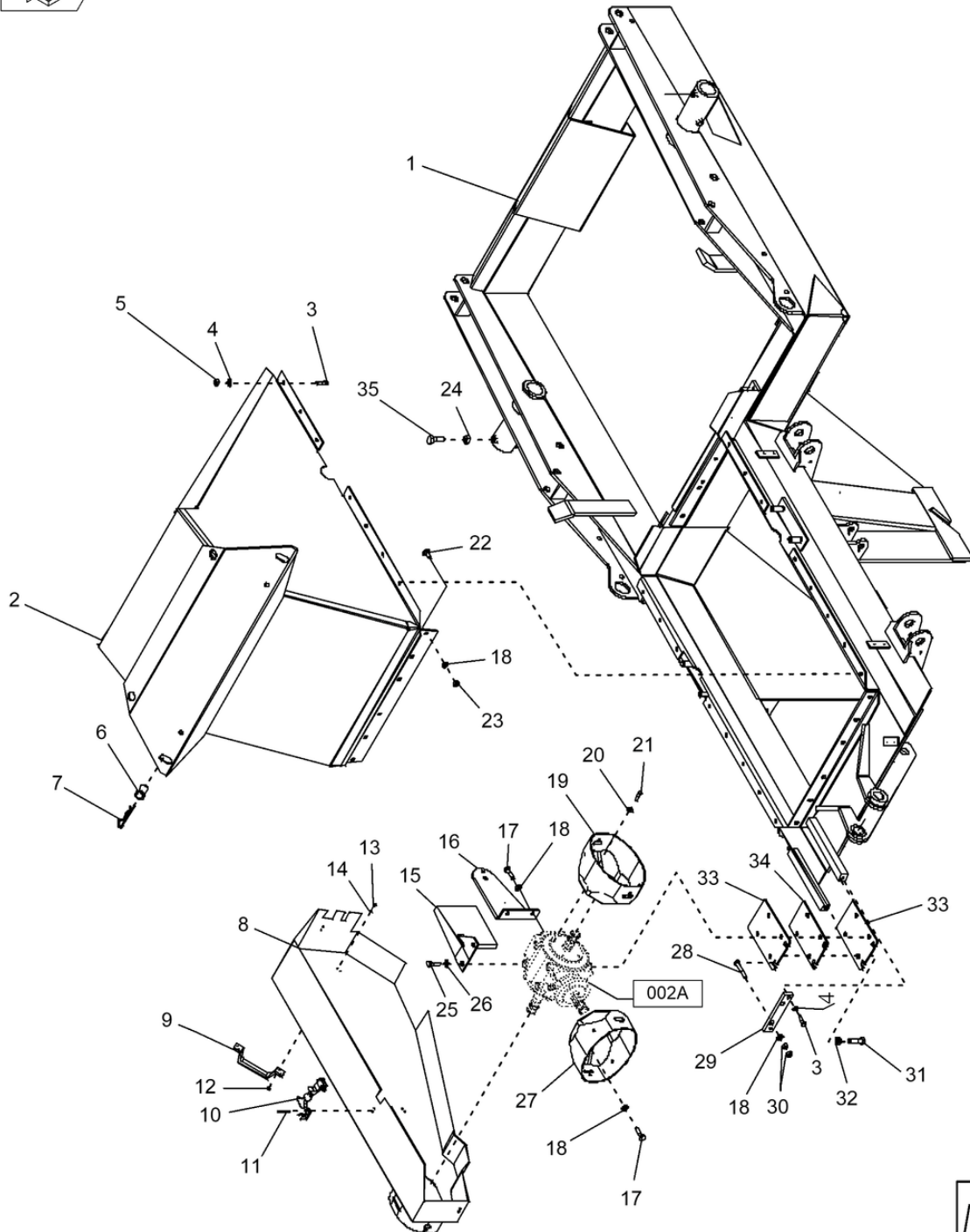
002



002

REF	PN	QTY	DESCRIPTION	USAGE
1	500068120	1	FRAME	FRAME
2	500068121	1	COVER	
3	500030958	22	SCREW	M10x25 HEX HEAD
4	500010607	22	WASHER	M10 WASHER
5	500057379	22	NUT	M10 LOCK NUT
6	500090256	2	LOCK PIN	
7	500040929	2	LOCK PIN	PIN D 6x118 DIN11024
8	500068871	1	SHIELD	
9	500013239	2	GUARD	
10	500087115	3	RUBBER STRIP	
11	500095304	12	RIVET	DRAW RIVET 4.0x14
12	500030528	12	SCREW	M5x16 DIN 965
13	500063964	12	NUT	M5 LOCK NUT
14	NSS	12	NOT SOLD SEPARAT	M5 WASHER
15	500068873	1	FRAME	
16	500068875	1	SUPPORT	
17	500030949	6	BOLT	M12x25 HEX HEAD
18	500010462	6	WASHER	M12 WASHER
19	330044070	1	GUARD	COVER
20	500010784	4	WASHER	M8 WASHER
21	500053363	3	SCREW	M8x20 HEX HEAD
22	500057229	6	SCREW	M12x30 LOCK SCREW
23	500056448	6	LOCK NUT	M12 LOCK NUT
24	500030124	4	NUT	M16 NUT
25	500063135	2	SCREW	M16x25 HEX HEAD
26	500030887	2	WASHER	M16 WASHER
27	500068872	1	GUARD	COVER
28	500061943	2	SCREW	M12x80 HEX HEAD
29	500068865	1	PLATE	
30	500030968	4	NUT	M12 NUT
31	500089310	4	SCREW	M16x40 HEX HEAD 12.9
32	500040151	4	WASHER	M16 SPRING WASHER
33	500068862	2	PLATE	
34	500068864	1	PLATE	
35	500059102	4	BOLT	

002



002

REF	FIGURE NUMBER	FIGURE NAME
002A	002A	GEAR BOX , STONEBEAR

002A

p1

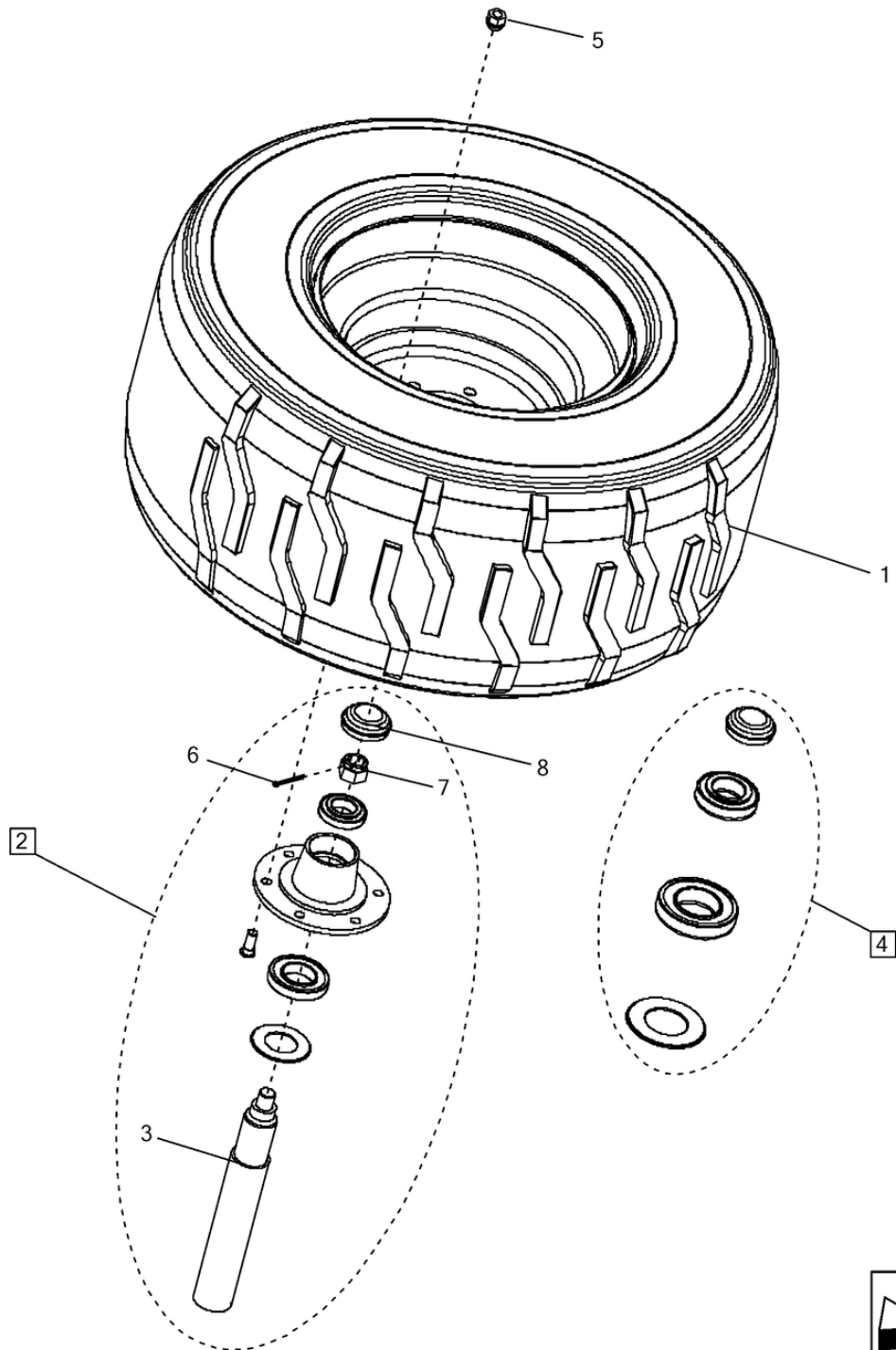
GEAR BOX , STONEBEAR

REF	PN	QTY	DESCRIPTION	USAGE
1	330040021	1	OIL SEAL	
2	330040022	8	BOLT	
3	330040023	1	BEARING, ROLLER, CYL	
4	330040024	1	BEARING, ROLLER, CYL	
5	330040025	1	SHIM	
6	330040026	1	GEAR	
7	330040027	1	KEY	
8	330040028	1	CAP	
9	330040029	2	BEARING, ROLLER, CYL	
10	330040030	1	HOUSING	
11	330040031	1	SHAFT	
12	330040032	3	SHIM	
13	330040033	1	PLUG	
14	330040034	1	BEARING, ROLLER, CYL	
15	330040035	2	OIL SEAL	
16	330040036	1	SHAFT	
17	330040037	1	SNAP RING	
18	330040038	1	OIL SEAL	
19	330040039	1	SHAFT	
20	330040040	1	PLUG	
21	330040041	1	GEAR	
22	330040042	1	PLUG	
23	330040043	2	BEARING, ROLLER, CYL	
24	330040044	1	KEY	
25	330040045	1	SNAP RING	
26	330040046	2	SNAP RING	
27	330040047	1	SNAP RING	
28	330040048	3	SNAP RING	
29	500680861	1	GEARBOX	Incl 1 - 28

003

p1

003



003

p1

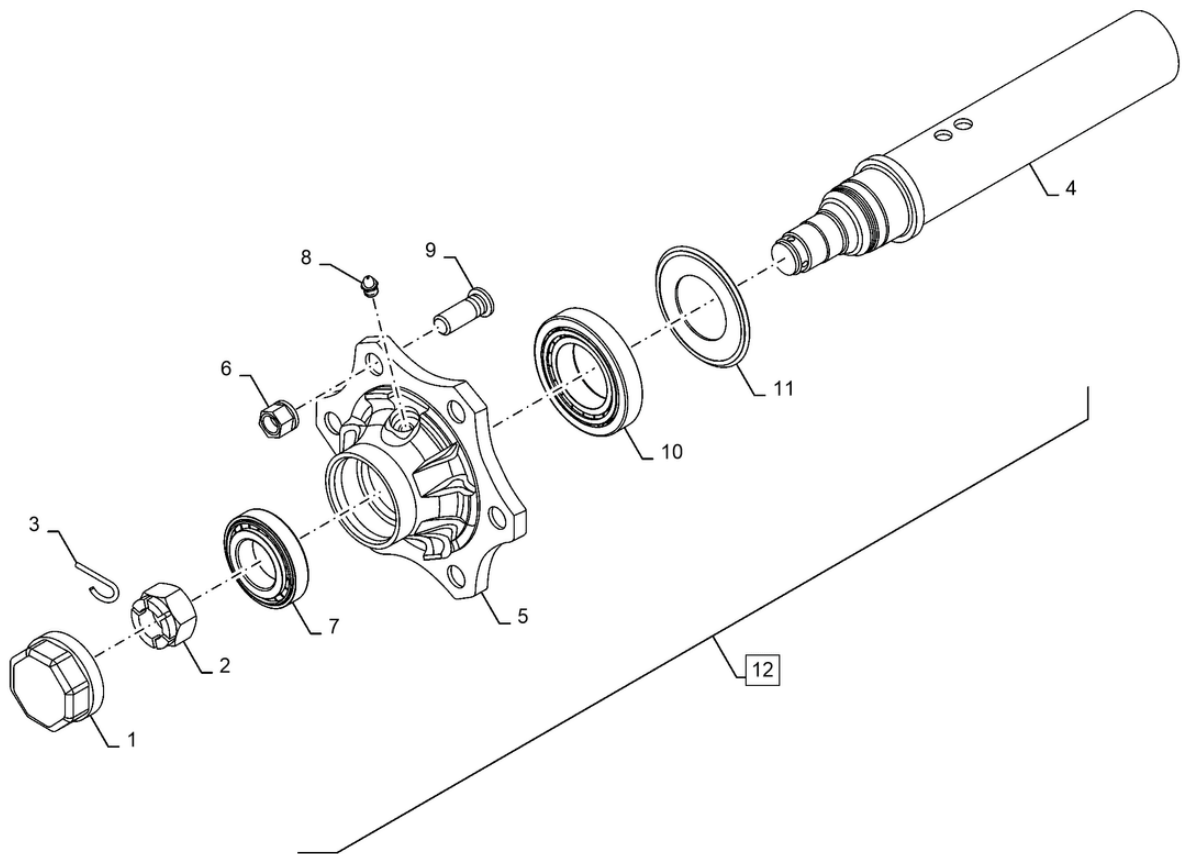
003

REF	PN	QTY	DESCRIPTION	USAGE
1	500350915	2	TYRE/TIRE	500/60-22.5
2	500068102	2	HUB	HUB ASSEMBLY; (SN Break) Before KTNKA801V00001751
3	500068396	2	SHAFT	
4	500590120	2	BEARING SET	BEARING KIT
5	500059118	12	WHEEL NUT	M18x1.5x45 + M18x1.5 NUT
6	500057243	2	PIN	6.3x71 PIN
7	500059122	2	CROWN NUT	M36x2 DIN935-8ZN/C
8	500059119	2	DUST CAP	

003A

p1

DRIVESHAFT



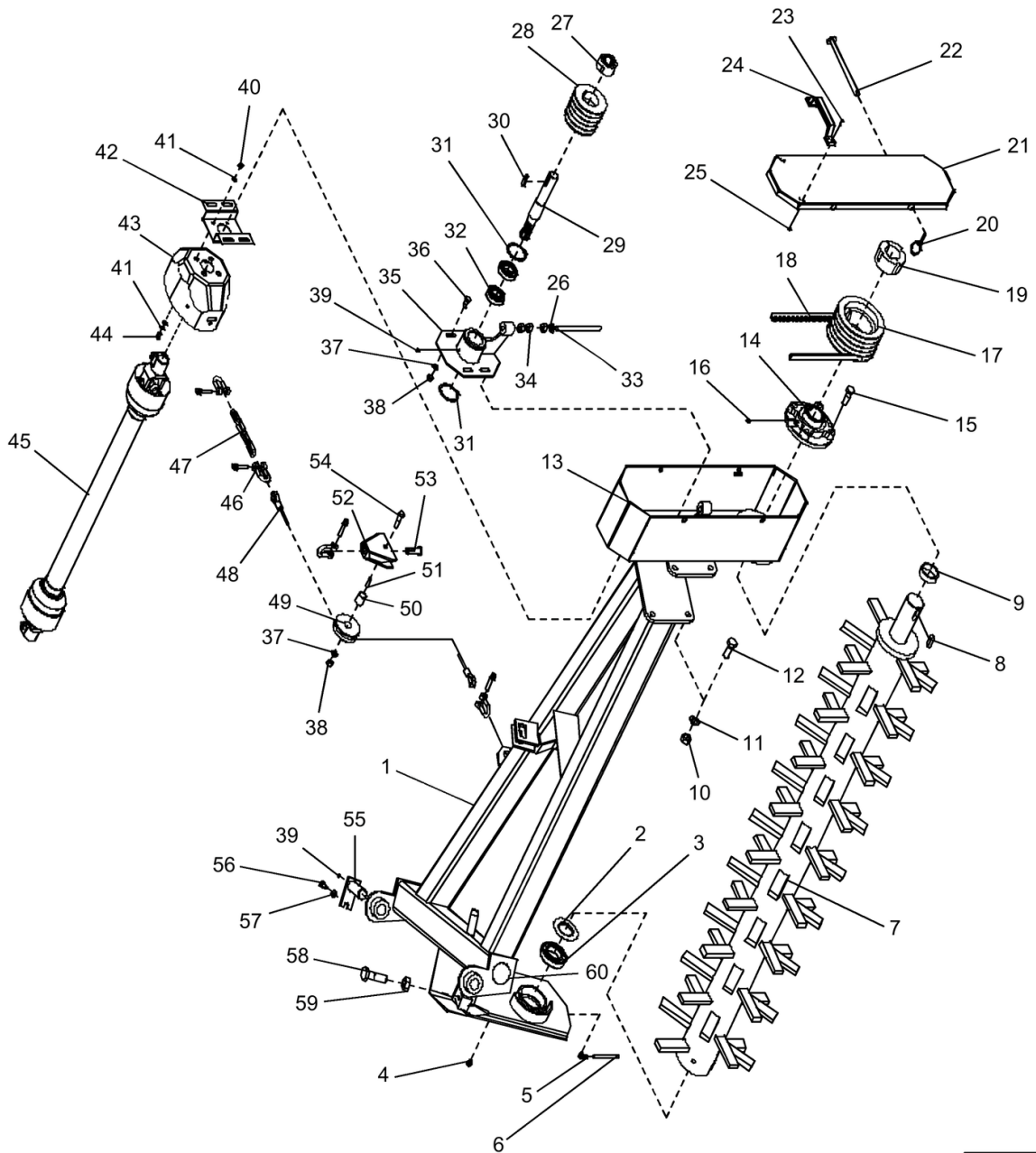
003A

p1

DRIVESHAFT

REF	PN	QTY	DESCRIPTION	USAGE
1	330044021	1	CAP	CAP 080 PUSH ON ADR OCTAGONAL
2	330044022	1	CROWN NUT	CROWN NUT M39x1.50 WR50 H28
3	330044023	1	PIN	SPRING PIN FOR NUT M39
4	330044024	1	STUB AXLE/STEERING S	BODY STUBAXLE S070 LAM FF0403
5	330044025	1	HUB	HUB H06 18 080-0100 160-205
6	330044026	6	STUD	STUD NUT M18x1.50 CH24 GERMAN TYPE
7	330044027	1	BEARING, ROLLER, CYL	TAPER ROLLER BEARING 30208 040 080 19.75
8	330044028	1	LUBE NIPPLE	GREASE NIPPLE STRAIGHT M08X1,25
9	330044029	6	STUD	STUD M18x 1,50 L054
10	330044030	1	BEARING, ROLLER, CYL	TAPER ROLLER BEARING 3213X 065 100 23
11	330044031	1	OIL SEAL	AGRICULTURAL GREASE SEAL
12	330044019	1	HUB	Incl 1 - 11; (SN Break) After KTNKA801V00001752

004



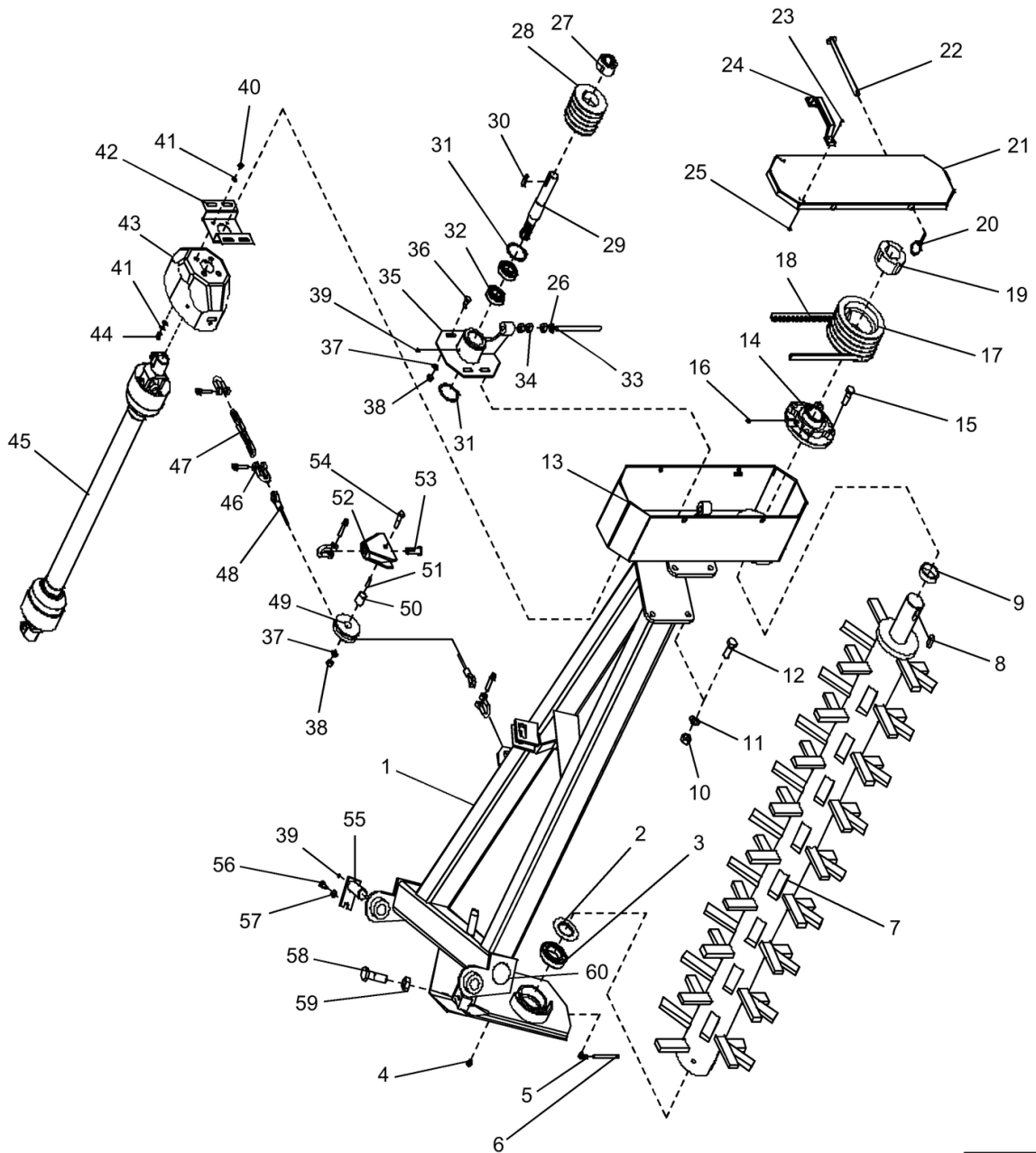
004

p1

004

REF	PN	QTY	DESCRIPTION	USAGE
1	500068247	1	FRAME	
1	500068246	1	FRAME	
2	500068241	2	SEAL	
3	500068214	2	BALL BEARING	2211 RS
4	500068249	2	FITTING	
5	500068250	2	ELBOW	
6	500003303	2	PIN	
7	500068245	1	RAKE	
7	500068217	1	TOOL BOX	
8	NSS	2	NOT SOLD SEPARAT	KEY 18x 11-27
9	500068212	2	BUSHING	
10	500053463	8	LOCK NUT	M20 LOCK NUT
11	500053942	8	TRAY	M20 WASHER
12	500068248	8	BOLT	M20x50 HEX HEAD
13	500068203	1	GUARD	
13	500068217	1	TOOL BOX	LEFT
14	500068211	2	FLANGED BEARING	UCFC 212
15	500053227	8	BOLT	M16*50 HEX HEAD
16	500030263	2	NIPPLE	LUBRICATION NIPPLE M6
17	500068869	2	PULLEY	SPB DM=1 90-5/3020
18	500068209	10	BELT	XPB1600
19	500068842	2	SLEEVE	D6 0/30 20
20	500040150	4	PIN	LINCH PIN D9
21	500068221	2	GUARD	
22	500068240	4	LOCK PIN	
23	500030528	8	SCREW	M5x16 DIN 965
24	500013239	2	GUARD	
25	500063964	8	NUT	M5 LOCK NUT
26	500030887	2	WASHER	M16 WASHER
27	500068874	2	SLEEVE	D35/2012
28	500068868	2	PULLEY	SPB DM=12 5-5/2012
29	500068205	2	FRAME	
30	NSS	2	NOT SOLD SEPARAT	KEY10x 8-35
31	500086140	4	CIRCLIP	J72
32	500038114	4	DRAWBAR	6207 RS
33	500068206	2	BOLT	

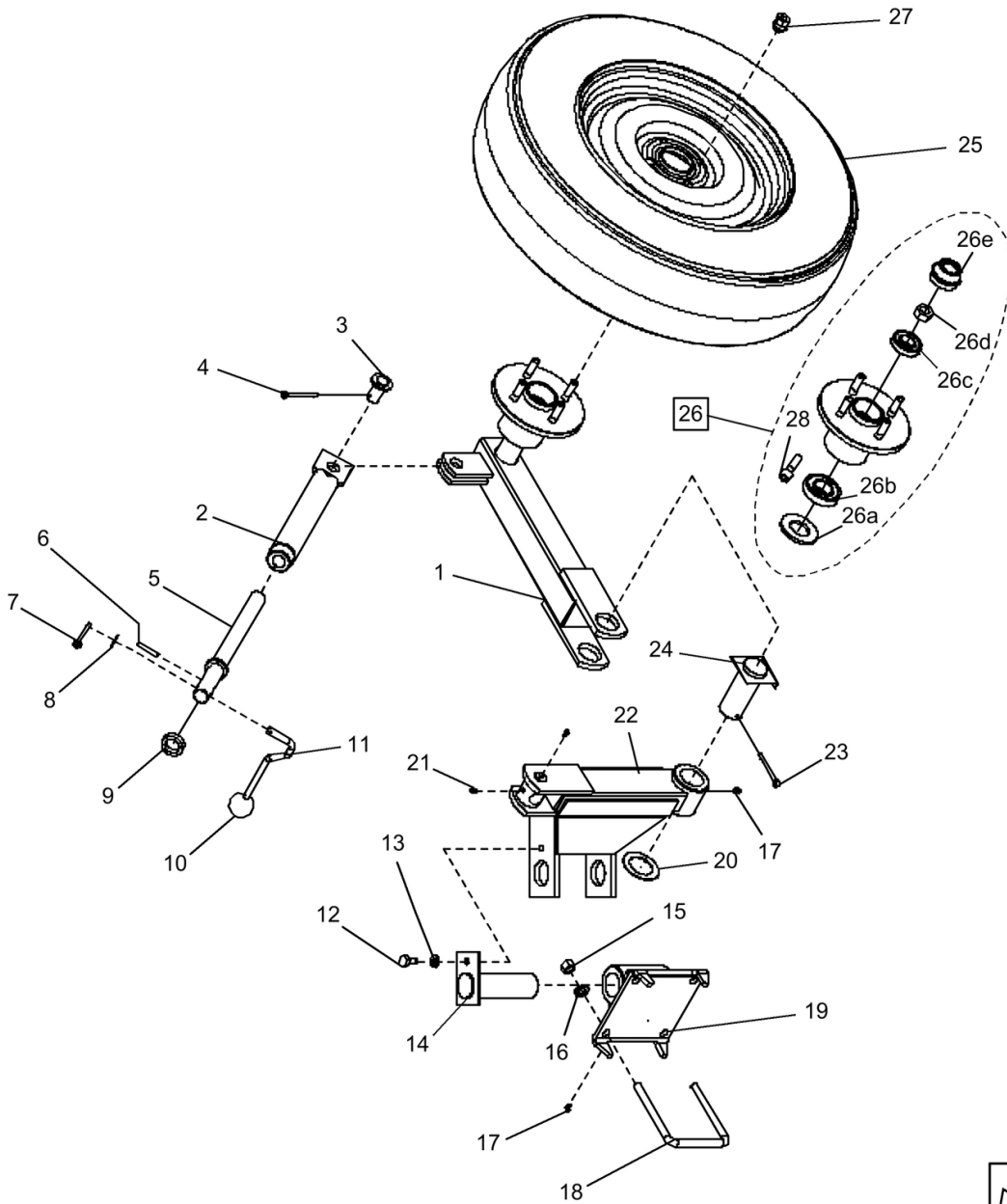
004



004

REF	PN	QTY	DESCRIPTION	USAGE
34	500030124	6	NUT	M16 NUT
35	500068202	2	BEARING HOUSING	
36	500057229	8	SCREW	M12x30 LOCK SCREW
37	500010462	10	WASHER	M12 WASHER
38	500030968	10	NUT	M12 NUT
39	500010761	6	NIPPLE	M8x1.25 LUBRICATION NIPPLE
40	500030969	4	NUT	M8 NUT
41	500035169	8	WASHER	M8 WASHER
42	500068828	2	COVER	
43	330044070	2	GUARD	SHAFT GUARD
44	500063548	8	BOLT	M8x16 LOCK SCREW DIN603
45	500068810	1	PTO	
45	500068841	1	SHAFT PTO	
46	500068226	8	SHACKLE	
47	500068238	2	CABLE	LIFTING CHAIN
48	500068237	2	CABLE	WIRE CABLE
49	500068224	2	PULLEY	PULLEY
50	500040126	2	SPH ROLLER BEARING	PM 2530 DX BEARING
51	500068223	2	BUSHING	
52	500068222	2	FRAME	
53	500068225	2	AXLE	AXLE
54	500041192	2	SCREW	M12x55 HEX HEAD
55	500068201	2	PIN	
56	500030951	4	BOLT	M10x16 HEX HEAD
57	500010607	4	WASHER	M10 WASHER
58	500066552	2	SCREW	M24x65 HEX HEAD
59	500057259	2	NUT	M24 NUT
60	NS	2	NOT SERVICED	

005



005

p1

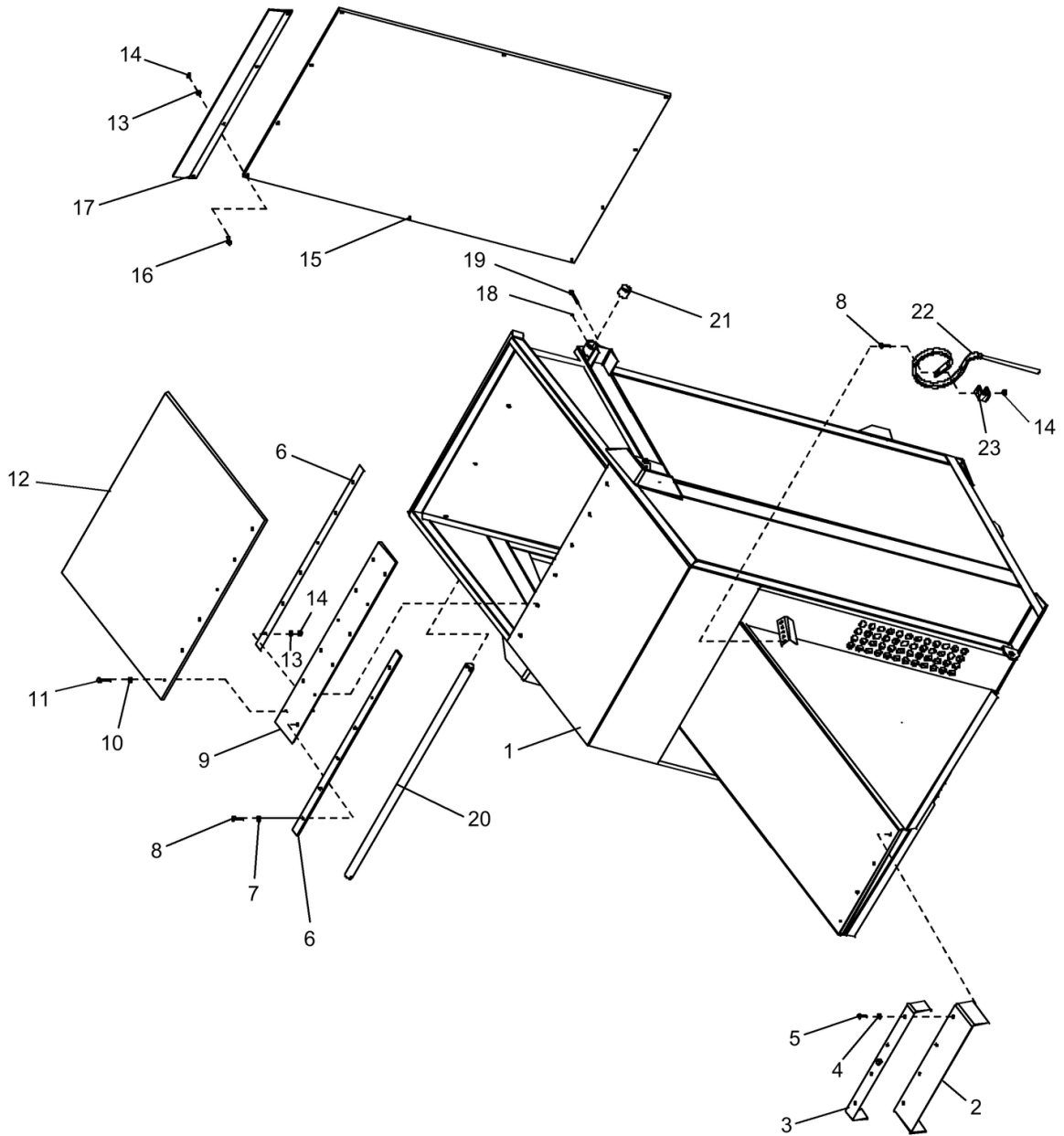
005

REF	PN	QTY	DESCRIPTION	USAGE
1	500068235	1	HUB	
1	500068236	1	HUB	
2	500058223	2	TUBE	
3	500041109	2	PIN	
4	500010459	2	COTTER PIN	5x32 PIN DIN94
5	500068239	2	ADJUSTMENT SCREW	
6	500031531	2	HYDRAULIC CYLINDER	D5x3 6 SPRING PIN
7	500010463	2	COTTER PIN	5x32 COTTER PIN
8	500010607	2	WASHER	M10 WASHER
9	500056642	2	RING	
10	500020726	2	BALL	M10 DIN3 19
11	500030558	2	BELLCRANK	
12	500030951	2	BOLT	M10x16 HEX HEAD
13	500010153	2	WASHER	M10 SPRING WASHER
14	500068231	2	AXLE	
15	500056448	8	LOCK NUT	M12 LOCK NUT
16	500010462	8	WASHER	M12 WASHER
17	500010761	4	NIPPLE	M8x1.25 LUBRICATION NIPPLE
18	500068229	4	U-BOLT	
19	500068230	2	BRACKET	
20	500052684	2	WASHER	WASHER 41x63x1.5
21	500030263	4	NIPPLE	M6 LUBRICATION NIPPLE
22	500068233	1	FRAME	
22	500068232	1	FRAME	
23	500068855	2	COTTER PIN	COTTER PIN 8x56
24	500068234	2	PIN	
25	500370429	2	WHEEL	175/70x14
26	500068301	2	BEARING SET	ASSEMBLY
26a	500037970	2	SEAL	SEALING KIT
26b	500037966	2	SPH ROLLER BEARING	NO:30206
26c	500037967	2	SPH ROLLER BEARING	NO:30204
26d	500037969	2	NUT	M20x1.5
26e	500037968	2	DUST CAP	
27	500042624	8	WHEEL NUT	M12x1.5
28	500042623	8	HUB	12x1 .5x35 DIN961 10.9

006

p1

006



006

p1

006

REF	PN	QTY	DESCRIPTION	USAGE
1	500068720	1	RESERVOIR	
2	500068708	1	PLATE	
3	500068709	1	RETAINER	
4	500010607	4	WASHER	M10 WASHER
5	500030958	4	SCREW	M10x25 HEX HEAD
6	500068713	2	PLATE	
7	500010634	6	LOCK WASHER	M12 SPRING WASHER
8	500030522	14	SCREW	M12x35 HEX HEAD
9	500068707	1	PLATE	RUBBER PLATE
10	500035554	6	WASHER	D12.5x35x3 WASHER
11	500057233	6	BOLT	M12x60 HEX HEAD
12	500068706	1	PLATE	COVERING PLATE, PLYWOOD
13	500010462	14	WASHER	M12 WASHER
14	500056448	14	LOCK NUT	M12 LOCK NUT
15	500068728	1	DISC	BOTTOM PLATE,RUBBER
16	500057543	12	SCREW	M12x40 LOCK SCREW DIN603
17	500068729	2	DISC	
18	500030263	2	NIPPLE	M6 LUBRICATION NIPPLE
19	500050123	4	PIN	D10x63 COTTER PIN
20	500068721	1	SHAFT	
21	500068722	2	SPH ROLLER BEARING	45/50x40 PDE
22	500068401	5	TINE	KONGSKILDE NR.101000831
23	500068403	5	CLAMP BRACKET	

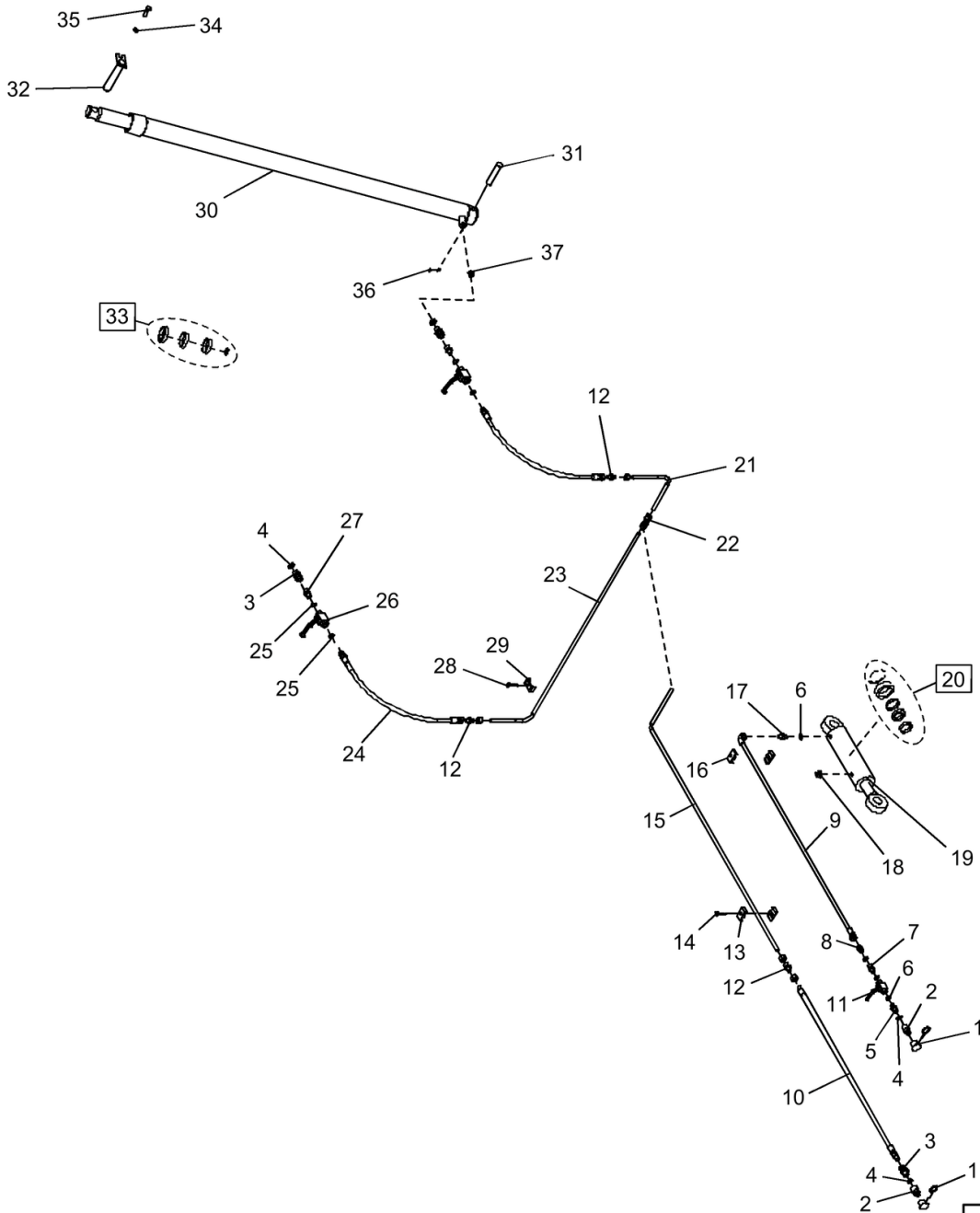
007

p1

007

REF	PN	QTY	DESCRIPTION	USAGE
1	500068714	1	BAR	
1	500068703	1	DRAWBAR	
2	500090251	2	AXLE	
3	500030930	6	WASHER	M30 WASHER DIN 125
4	500057241	4	PIN	COTTER PIN D6.3x45
5	500090251	2	AXLE	
6	500068704	2	BAR	
7	500056448	4	LOCK NUT	M12 LOCK NUT
8	500010462	4	WASHER	M12 WASHER
9	500030522	4	SCREW	M12x35 HEX HEAD
10	500090169	1	WARNING TRIANGLE	
11	500030853	6	BOLT	M5x16 HEX HEAD
12	500068710	1	PLATE	
13	500063876	6	WASHER	M5 WASHER
14	500010395	6	NUT	M5 NUT
15	500030649	2	BOLT	M6x45 HEX HEAD
16	500068711	1	BRACKET	
17	500053503	2	WASHER	M6 WASHER
18	500030262	2	NUT	M6 NUT
19	500089212	1	BOLT	
20	500087253	2	PIN , 30mm OD, 90mm Eff Length, Washer Head	
21	500090201	4	WASHER	D46x80x6 WASHER
22	500068724	1	ARM	
22	500068725	1	ARM	
23	500041312	1	LAMP	
24	500041367	1	ELECTRIC CABLE	
25	500068144	1	WIRE	
26	500008091	1	PIPE	
27	500068726	1	DRIVE	
27	500068727	1	REVERSE LAMP	
28	500030522	4	SCREW	M12x35 HEX HEAD
29	500053263	2	WARNING DECAL	

008



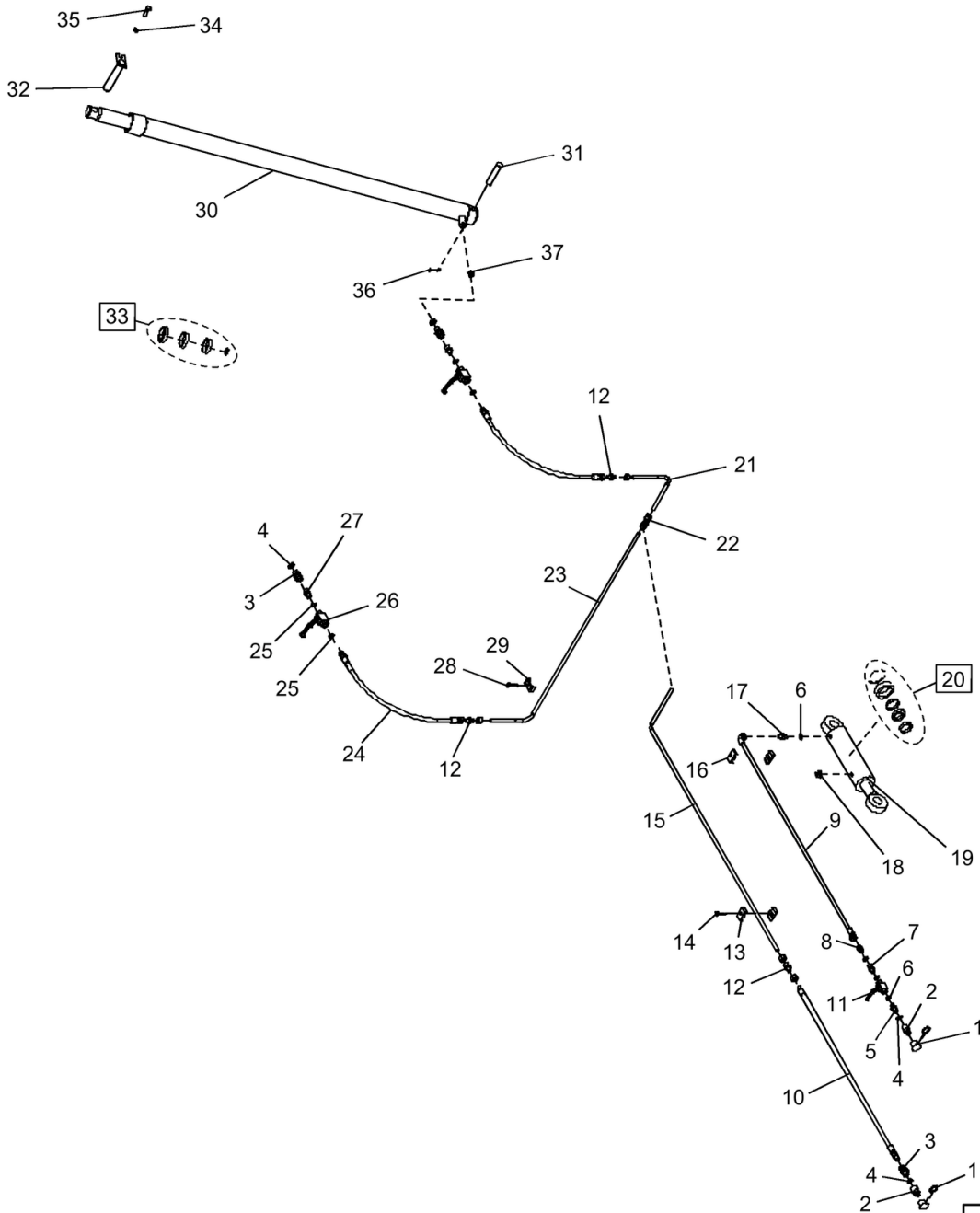
008

p1

008

REF	PN	QTY	DESCRIPTION	USAGE
1	500058656	2	ELEC CONNECTOR	
2	500030844	2	COUPLING	RAPID CONNECTOR 1/2"
3	500041836	3	FITTING	R1/2-3/8"
4	500052361	4	O-RING	USIT 1/2"
5	500090812	1	FITTING	1/2-1/4"
6	500087830	4	SEAL	USIT 1/4"
7	500090820	1	FITTING	1/4-1/4"
8	500042546	1	NIPPLE	
9	500058686	1	HYDRAULIC HOSE	1/4"-2800
10	500068516	1	HOSE	3/8"-3000
11	500087819	1	VALVE	1/4" BALL VALVE
12	500158828	3	COUPLING	EL 12
13	500058668	5	HOSE CLAMP	DOUBLE FASTENER D15
14	500089559	10	SCREW	M8x35 HEX HEAD
15	500068514	1	TUBE	
16	500031594	5	CLAMP	DOUBLE FASTENER D12
17	500090820	1	FITTING	1/4-1/4"
18	500058658	1	BREATHER	1/4"
19	500680513	1	HYDRAULIC CYLINDER	
20	500680515	1	SEAL KIT	SEALING KIT
21	500068502	1	HOSE	
22	7210000105	1	COUPLING	
23	500068501	1	PIPE	
24	500068853	2	FITTING	
25	500061801	2	O-RING	USIT 3/8"
26	500257617	1	BALL	3/8" BALL VALVE
27	500095832	1	NIPPLE	3/8-3/8"
28	500030985	2	SCREW	M8x25 HEX HEAD
29	500057623	1	CLAMP	
30	500680505	2	HYDRAULIC CYLINDER	HYDRAULIC CYLINDER ASSEMBLY
31	500068139	2	PIN	
32	500068723	2	PIN	
33	500680506	2	SEAL KIT	SEALING KIT
34	500010153	2	WASHER	M10 SPRING WASHER
35	500040702	2	SCREW	M10x20 HEX HEAD
36	500057241	2	PIN	COTTER PIN D6.3x45

008



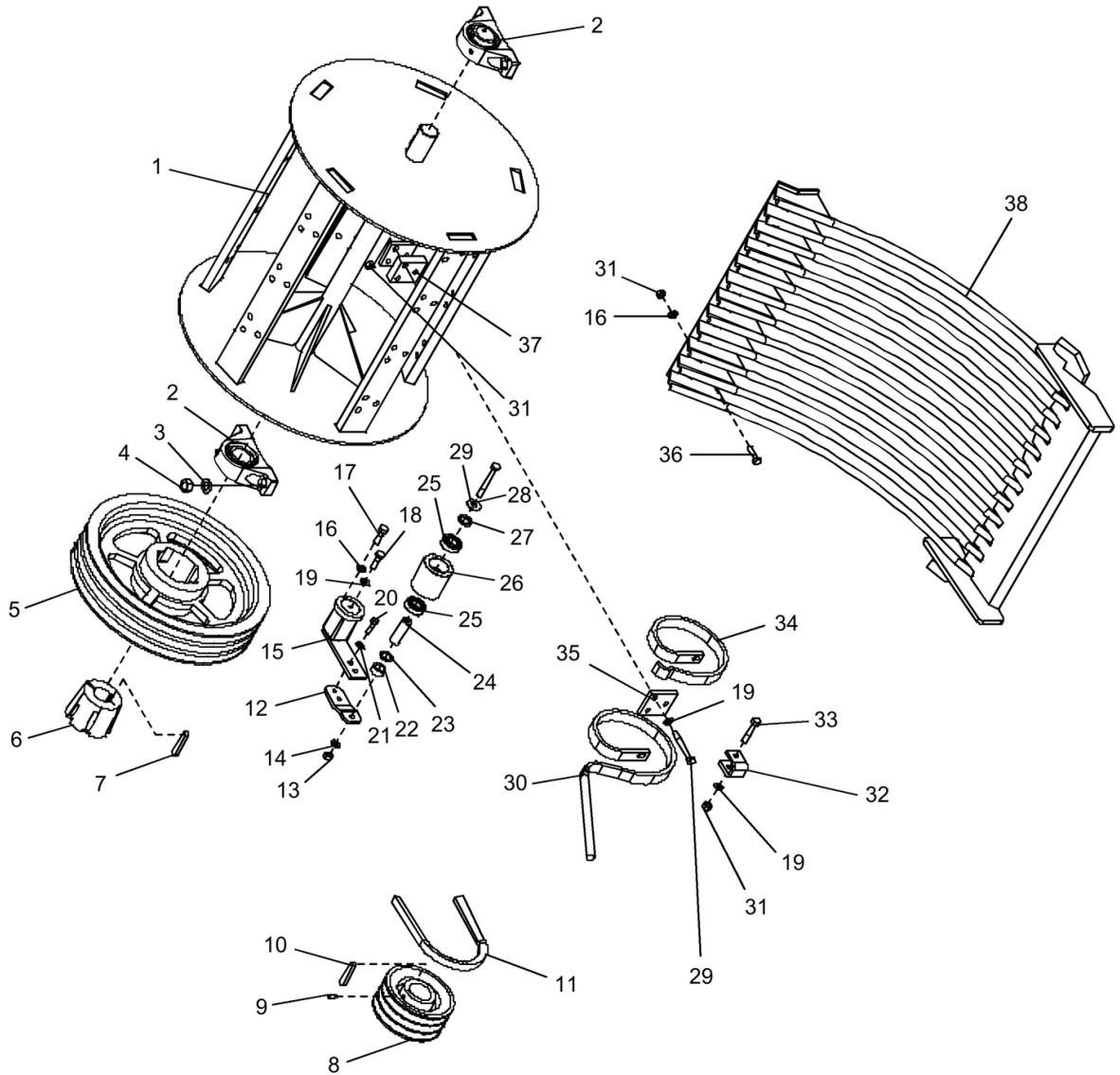
008

p2

008

REF	PN	QTY	DESCRIPTION	USAGE
37	500086809	2	VALVE	SAFETY VALVE

009



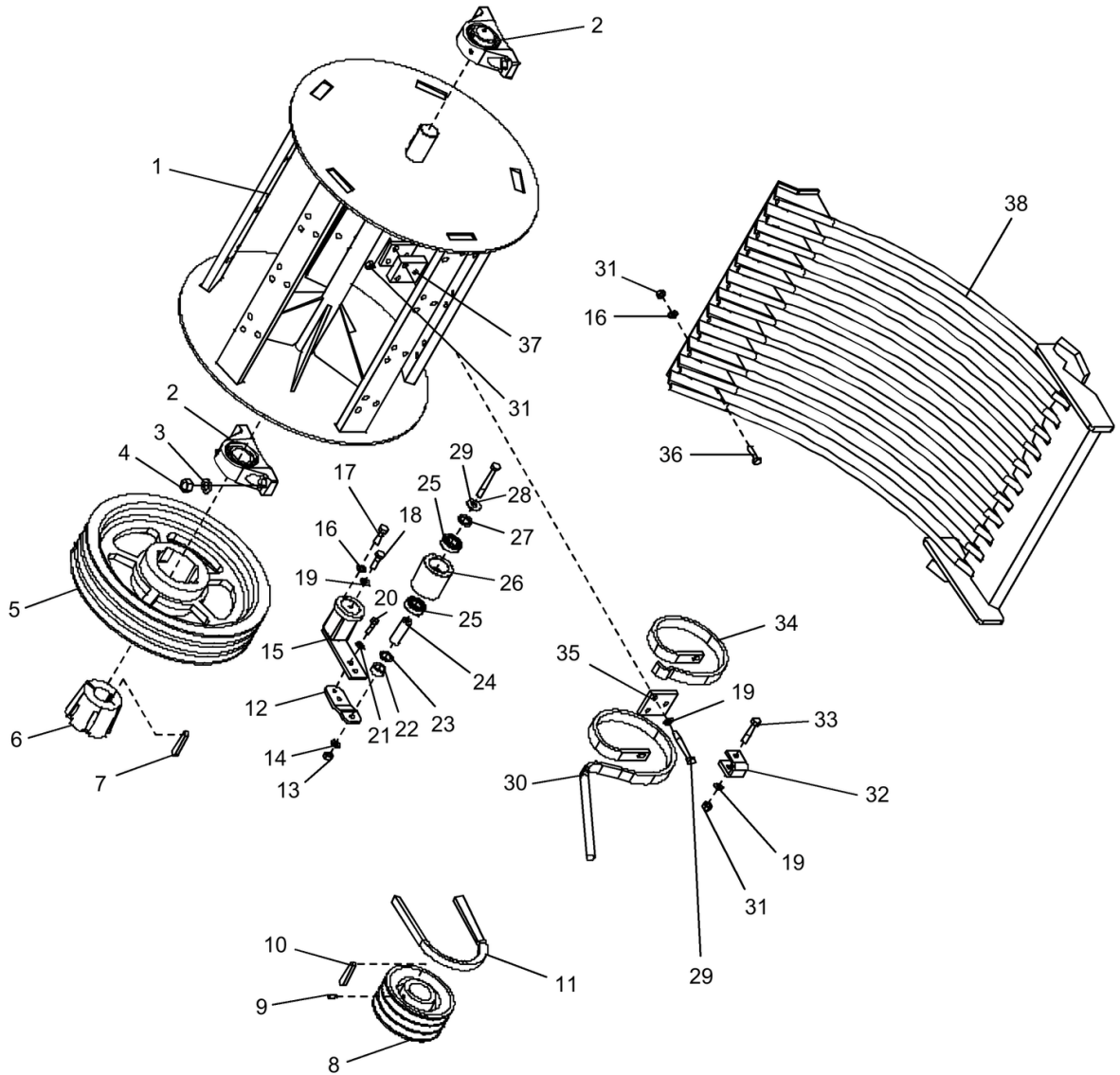
009

p1

009

REF	PN	QTY	DESCRIPTION	USAGE
1	500068409	1	ROTOR	
2	500263162	2	SPH ROLLER BEARING	SY 50 TF
3	500053942	4	TRAY	M20 WASHER
4	500053463	4	LOCK NUT	M20 LOCK NUT
5	500068867	1	PULLEY	SPC500-3/3535
6	500068806	1	SLEEVE	D50 3535/50
7	NSS	1	NOT SOLD SEPARAT	KEY 14x9-65
8	500068866	1	PULLEY	SPC180-3
9	500013557	1	SCREW	M8x20 DIN 916
10	NSS	1	NOT SOLD SEPARAT	KEY 12x8-28
11	500068817	2	BELT	SPC3150
12	500068876	1	BRACKET	
13	500030968	1	NUT	M12 NUT
14	500010634	1	LOCK WASHER	M12 SPRING WASHER
15	500068818	1	BELT TENSIONER	
16	500010607	1	WASHER	M10 WASHER
17	500020561	1	SCREW	M10x40 HEX HEAD
18	500030952	1	HEX SOC SCREW	M12x30 HEX HEAD
19	500010462	59	WASHER	M12 WASHER
20	500040702	2	SCREW	M10x20 HEX HEAD
21	500010153	2	WASHER	M10 SPRING WASHER
22	500189501	1	SPACER	
23	500056625	1	WASHER	25.5x35x2 WASHER
24	500068834	1	AXLE	
25	500055175	2	SPACER	6205-2RS
26	500068833	1	TIGHTENER	
27	500025110	1	WASHER	26x36x4 WASHER
28	500035554	1	WASHER	M12 WASHER DIN 9021
29	500035244	1	HEX SOC SCREW	M12x100, 10.9 DIN931
30	500068401	18	TINE	KONGSKILDE NR. 101000831
31	500056448	76	LOCK NUT	M12 LOCK NUT
32	500068403	18	CLAMP BRACKET	
33	500068407	18	BOLT	M12x70 10.9 HEX HEAD
34	500068402	18	SPRING	
35	500068405	36	CLAMP	
36	500030522	4	SCREW	M12x35 HEX HEAD

009



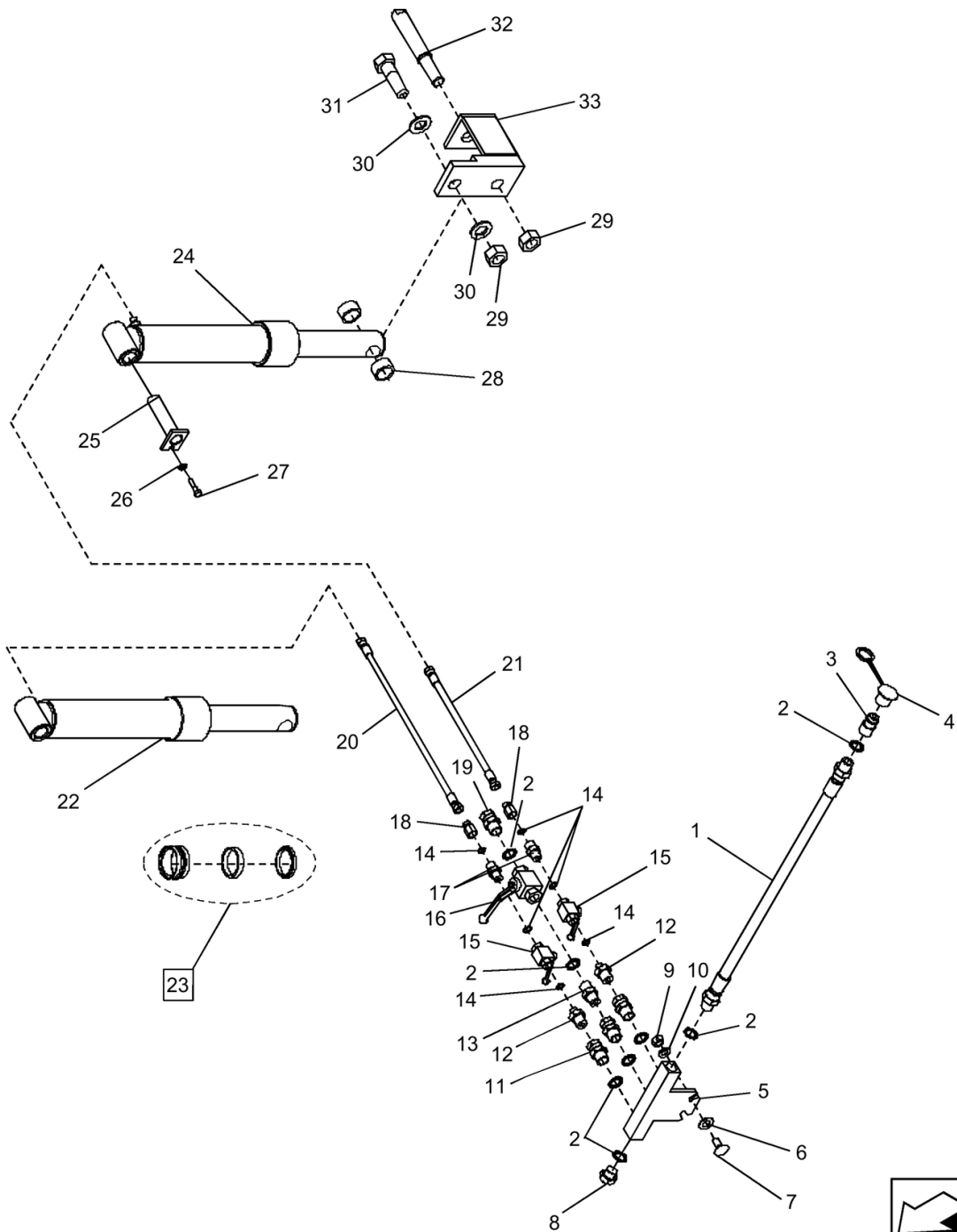
009

p2

009

REF	PN	QTY	DESCRIPTION	USAGE
37	500068404	18	PLATE	
38	500068604	1	SCREEN	40MM
38	500068605	1	SCREEN	28MM OPTION
38	500068366	1	SCREEN	35MM OPTION
38	500068368	1	SCREEN	50MM OPTION

010



010

p1

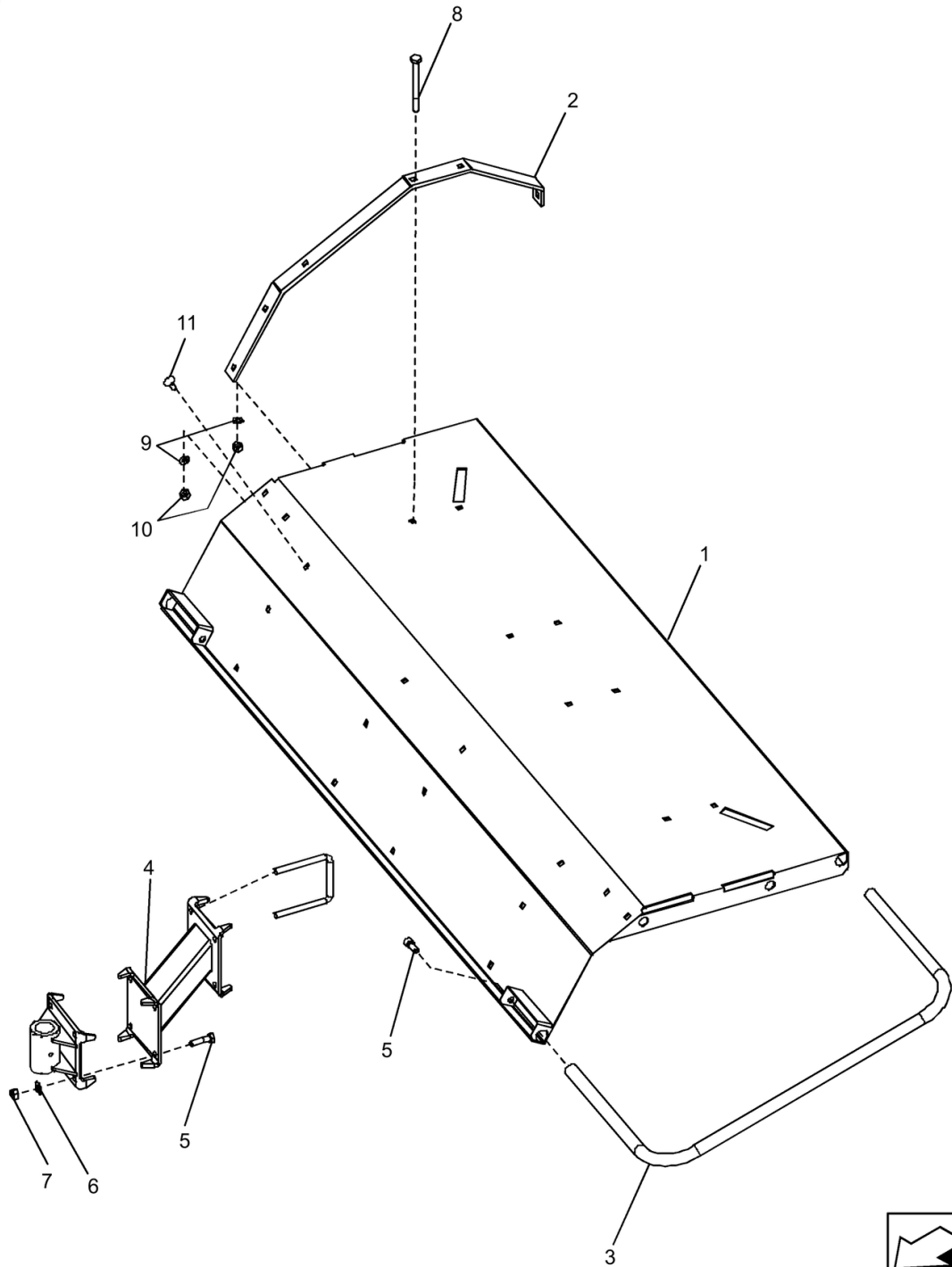
010

REF	PN	QTY	DESCRIPTION	USAGE
1	500057680	1	HOSE	
2	500052361	6	O-RING	USIT 1 /2"
3	500030844	1	COUPLING	R1/2"
4	500058656	1	ELEC CONNECTOR	
5	500068391	1	HYDRAULIC MANIFOLD	
6	500054141	2	WASHER	18x30x4 WASHER
7	500057229	2	SCREW	M12x30 LOCK SCREW
8	500052359	1	PLUG	R1/2"
9	500030968	2	NUT	M12 NUT
10	500010462	2	WASHER	M12 WASHER
11	500058644	4	NIPPLE	R1/2"
12	500090812	2	FITTING	R1/2" -1/4"
13	500054826	1	FITTING	R1/2"
14	500087830	4	SEAL	USIT 1 /4"
15	500087819	2	VALVE	1/4" BALL VALVE
16	500030888	1	COCK	1/2" BALL VALVE
17	500090820	2	FITTING	R1/4"
18	500042546	2	NIPPLE	R1/4"
19	500041836	1	FITTING	R1/2" -3/8"
20	500068387	1	HOSE	
21	500089840	1	HOSE	
22	500680379	1	FRAME	
23	500680381	2	SEAL	SEALING KIT
24	500680380	1	FRAME	
25	500068382	2	PIN	
26	500010350	2	LOCK WASHER	M8 SP RING WASHER
27	500057535	2	BOLT	M8x1 6 HEX HEAD
28	500057258	4	BUSHING	
29	500059593	4	CROWN NUT	M24 LOCK NUT
30	500030903	4	WASHER	M24 WASHER
31	500042912	2		M24x60 HEX HEAD
32	500068385	2	PIN	
33	500068384	1	BRACKET	
33	500068383	1	BRACKET	

011

p1

011



011

p1

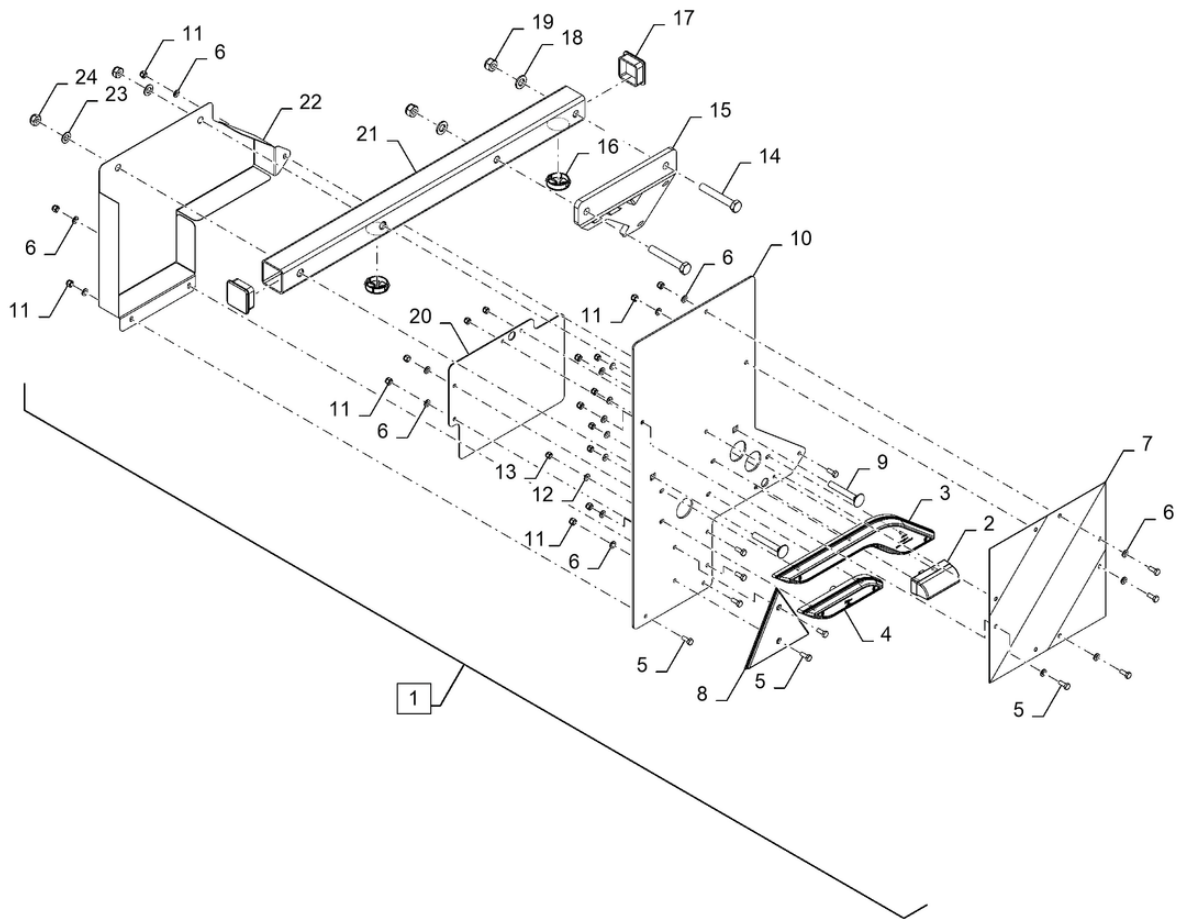
011

REF	PN	QTY	DESCRIPTION	USAGE
1	500068608	2	SUPPORT	
2	500068609	4	SUPPORT	
3	500068610	2	BAR	
4	500068611	2	DEFLECTOR	
5	500030952	12	HEX SOC SCREW	M12x30 HEX HEAD
6	500010462	12	WASHER	M12 WASHER
7	500056448	12	LOCK NUT	M12 LOCK NUT
8	500013526	8	BOLT	M10x120 HEX HEAD
9	500010607	24	WASHER	M10 WASHER
10	500057379	24	NUT	M10 LOCK NUT
11	500057624	16	BOLT	M10x25 LOCK SCREW

012

p1

LIGHT KIT ASSEMBLY - LEFT SIDE; (SN Break) After KTNKA210E0001338



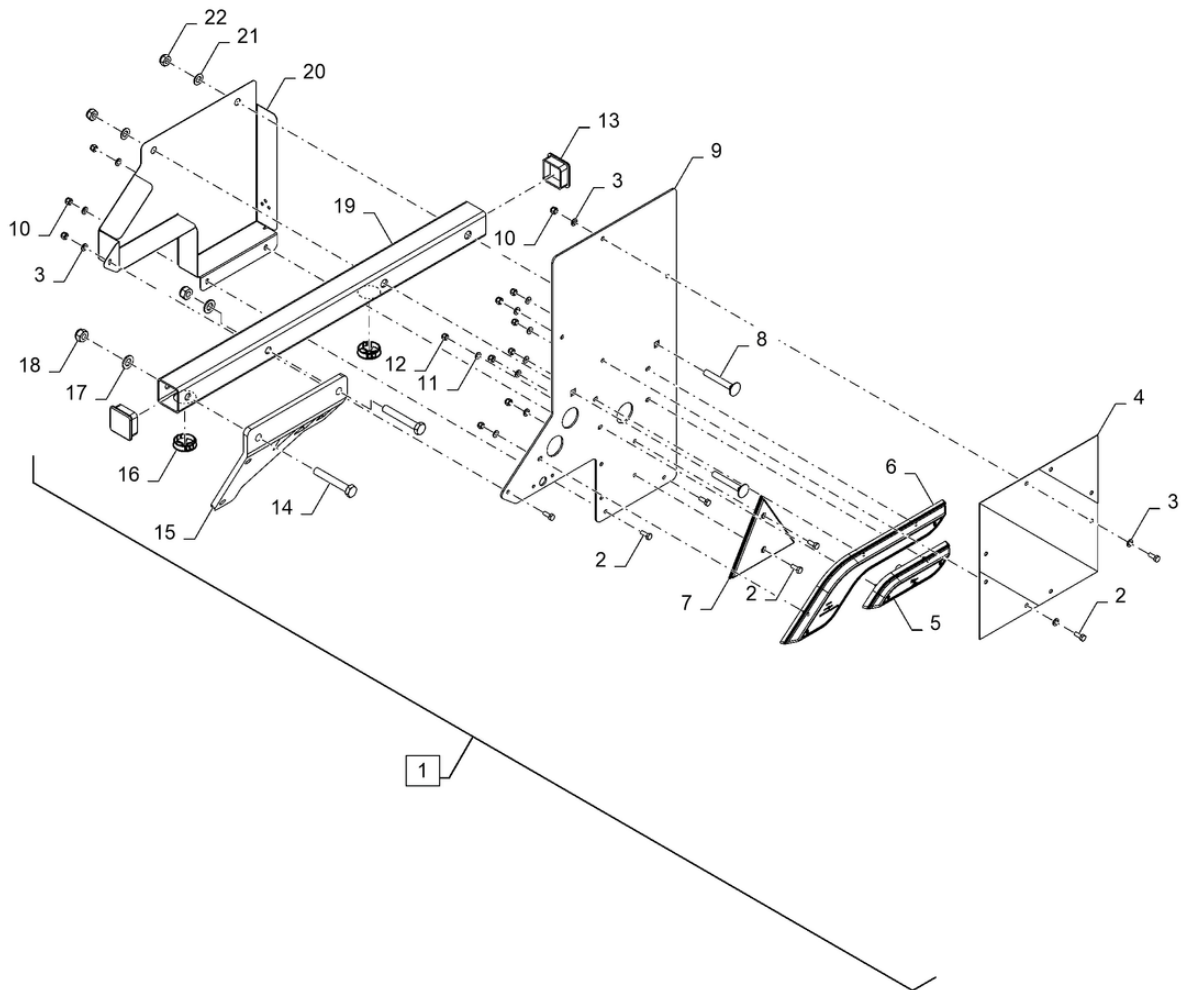
LIGHT KIT ASSEMBLY - LEFT SIDE; (SN Break) After KTNKA210E00001338

REF	PN	QTY	DESCRIPTION	USAGE
1	330290103	1	LIGHT ASSY.	LIGHT KIT ASSEMBLY - LEFT SIDE (Incl 2- 24)
2	330290077	1	LAMP	REAR REGISTRATION PLATE LAMP
3	51529365	1	POSITION LAMP	LAMP, POSITION, SAE / ECE STOP- TAIL LH
4	51529369	1	TURN/SMV LAMP	LAMP, TURN / SMV, ECE DIR INDICATOR LH
5	86508568	11	BOLT Hex, M6 x 1 x 16mm, Cl 8.8, Full Thd	BOLT, M6X16 FULL 8.8 ZND
6	300332038	15	WASHER	WASHER M6 FZB DIN126
7	48064922	1	PLATE	SIGNAL PLATE - DECAL PUT ON A ALUMINUM SHEET
8	500053263	1	WARNING DECAL	REAR RETRO-REFLECTOR (TRIANGULAR)
9	43476	2	BOLT Regular Sq Nk, M10 x 70mm, Cl 8.8	CARRIAGE BOLT M10X70 CL. 8.8 ZND DIN603
10	330290062	1	PLATE	SHEET METAL FOR LIGHT KIT FIXING DK GREY
11	300316026	11	LOCK NUT M6 DIN985	NUT M6 DIN985
12	322356	5	BELLEVILLE WASHER M5 Bolt Size x 12mm OD x 1.85mm Thk	WASHER, BELLEVILLE, LOCK M5X12 ZNM
13	300316025	7	LOCK NUT DIN985 M5	SELF-LOCKING NUT M5 CL. 8 FZB DIN985
14	43158	2	BOLT Hex, M12 x 1.75 x 80mm, Cl 8.8	BOLT M12X80 CL. 8.8 ZND DIN931
15	330290120	1	HANDLE	LIGHT HANDLE SHEET LEFT SIDE (PAINTED)
16	303100018	2	RING	CABLE PASS D=38,1MM
17	300082635	2	PLUG	PLASTIC PLUGE 50X50
18	300332008	2	WASHER M12 FZB DIN126	WASHER M12 FZB DIN126
19	300316021	2	LOCK NUT M12 CL 8 FZB DIN985	NUT ISO 10511 M12-8-FZB
20	330290128	1	SUPPORT	REGISTRATION PLATE SUPPORT (GREY)
21	330290126	1	BEAM	PROFILE HORIZONTAL LIGHT KIT
22	330290084	1	COVER	CONNECTORS COVER - LEFT SIDE DK_GREY
23	300332027	2	WASHER M10 FZB DIN126	WASHER M10 FZB DIN126
24	300316029	2	LOCK NUT	NUT ISO 10511 M10X1-8-FZB

013

p1

LIGHT KIT ASSEMBLY - RIGHT SIDE; (SN Break) After KTNKA210E00001338



013

p1

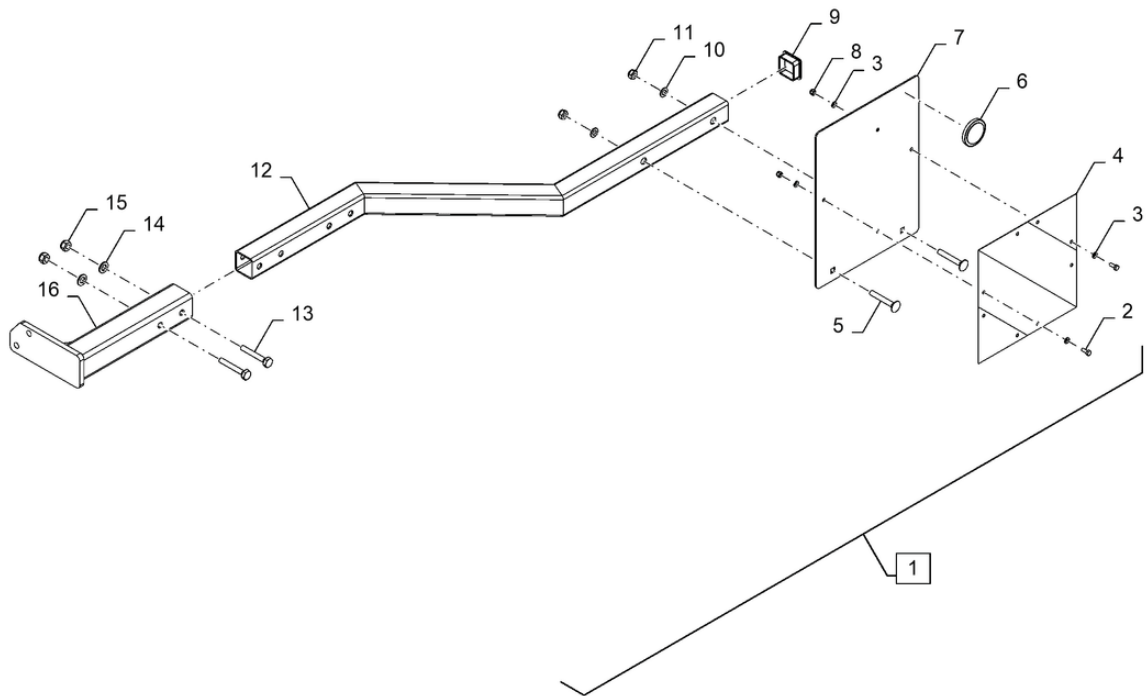
LIGHT KIT ASSEMBLY - RIGHT SIDE; (SN Break) After KTNKA210E00001338

REF	PN	QTY	DESCRIPTION	USAGE
1	330290105	1	LIGHT ASSY.	LIGHT KIT ASSEMBLY - RIGHT SIDE (Incl 2- 22)
2	86508568	9	BOLT Hex, M6 x 1 x 16mm, CI 8.8, Full Thd	BOLT M6X16 8.8 FZB DIN933
3	300332038	13	WASHER	WASHER M6 FZB DIN126
4	48064922	1	PLATE	SIGNAL PLATE - DECAL PUT ON A ALUMINUM SHEET
5	51529368	1	TURN/SMV LAMP	LAMP, POSITION, SEA / ECE STOP-TAIL RH
6	51529361	1	POSITION LAMP	LAMP, TURN / SMV, ECE DIR INDICATOR RH
7	500053263	1	WARNING DECAL	REAR RETRO-REFLECTOR (TRIANGULAR)
8	43476	2	BOLT Regular Sq Nk, M10 x 70mm, CI 8.8	CARRIAGE BOLT M10X70 CL. 8.8 ZND DIN603
9	330290062	1	PLATE	SHEET METAL FOR LIGHT KIT FIXING DK GREY
10	300316026	9	LOCK NUT M6 DIN985	NUT M6 DIN985
11	322356	5	BELLEVILLE WASHER M5 Bolt Size x 12mm OD x 1.85mm Thk	WASHER, BELLEVILLE, LOCK M5X12 ZNM
12	300316025	5	LOCK NUT DIN985 M5	SELF-LOCKING NUT M5 CL. 8 FZB DIN985
13	300082635	2	PLUG	PLASTIC PLUGE 50X50
14	43158	2	BOLT Hex, M12 x 1.75 x 80mm, CI 8.8	BOLT M12X80 CL. 8.8 ZND DIN931
15	330290119	1	HANDLE	LIGHT HANDLE SHEET RIGHT SIDE (PAINTED)
16	303100018	2	RING	CABLE PASS D=38,1MM
17	300332008	2	WASHER M12 FZB DIN126	WASHER M12 FZB DIN126
18	300316021	2	LOCK NUT M12 CL 8 FZB DIN985	NUT ISO 10511 M12-8-FZB
19	330290126	1	BEAM	PROFILE HORIZONTAL LIGHT KIT
20	330290085	1	COVER	REAR LIGHTS COVER PLATE
21	300332027	2	WASHER M10 FZB DIN126	WASHER M10 FZB DIN126
22	300316029	2	LOCK NUT	NUT ISO 10511 M10X1-8-FZB

014

p1

STONEBEAR FRONT LIGHT KIT ASSEMBLY LEFT SIDE; (SN Break) After KTNKA210E00001338



014

p1

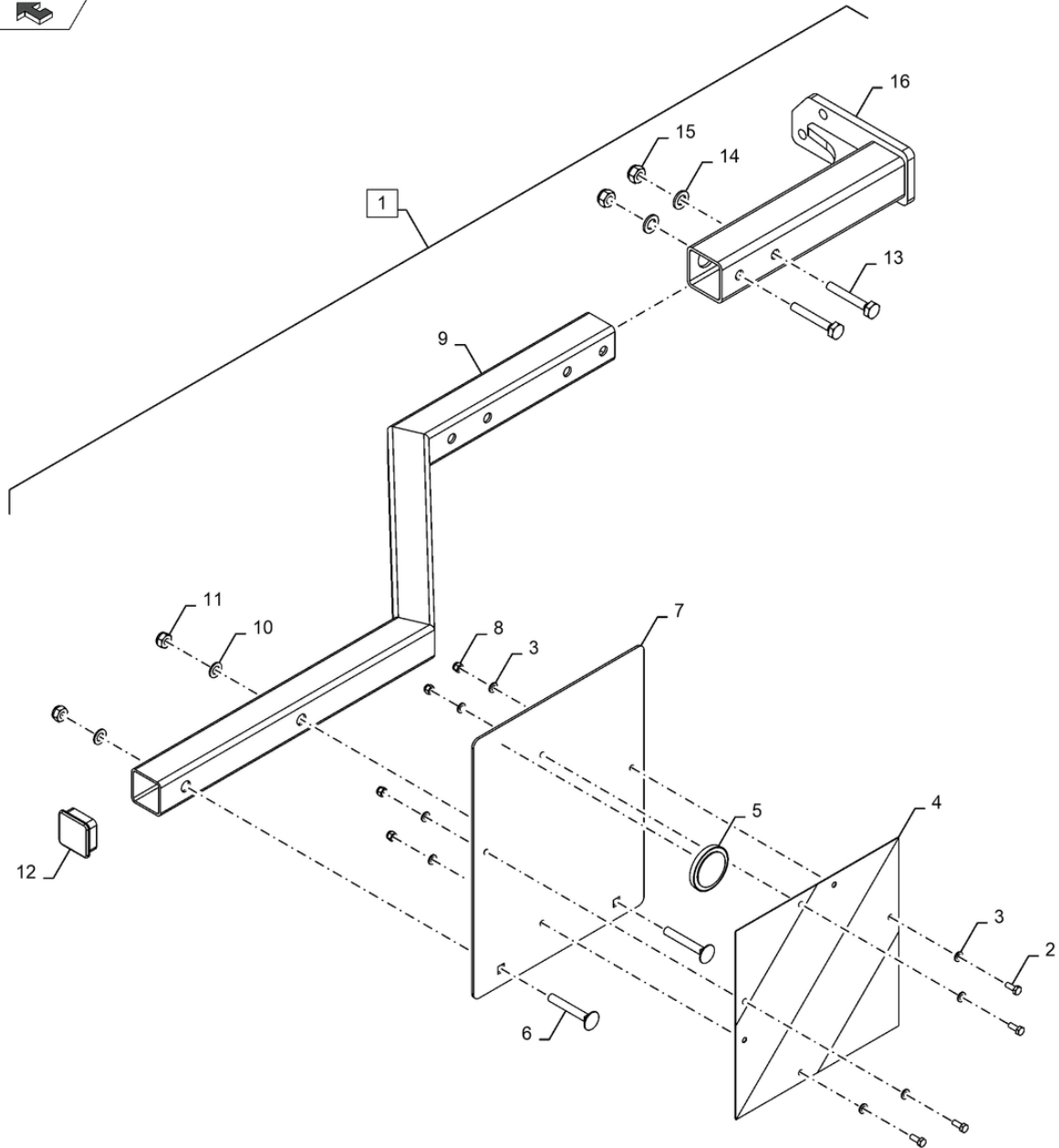
STONEBEAR FRONT LIGHT KIT ASSEMBLY LEFT SIDE; (SN Break) After KTNKA210E00001338

REF	PN	QTY	DESCRIPTION	USAGE
1	330290111	1	BEAM	STONEBEAR FRONT LIGHT KIT ASSEMBLY LEFT SIDE (Incl 2- 16)
2	86508568	4	BOLT Hex, M6 x 1 x 16mm, Cl 8.8, Full Thd	BOLT M6X16 CL. 8.8 ZND DIN931
3	300332038	8	WASHER	WASHER M6 FZB DIN126
4	48064922	1	PLATE	SIGNAL PLATE - DECAL PUT ON A ALUMINUM SHEET
5	43476	2	BOLT Regular Sq Nk, M10 x 70mm, Cl 8.8	CARRIAGE BOLT M10X70 CL. 8.8 ZND DIN603
6	500041244	1	REFLECTOR	REFLEX VIT, ?60
7	330290065	1	MOUNT	FRONT HOLDER FOR LIGHT
8	300316026	4	LOCK NUT M6 DIN985	NUT M6 DIN985
9	300082635	1	PLUG	PLASTIC PLUGE 50X50
10	300332027	2	WASHER M10 FZB DIN126	WASHER M10 FZB DIN126
11	300316029	2	LOCK NUT	NUT ISO 10511 M10X1-8-FZB
12	330290141	1	BEAM	HORIZONTAL FRONT BEAM ASSEMBLY
13	9706717	2	BOLT Hex, M12 x 1.75 x 70mm, Cl 8.8	BOLT M12X70 DIN931 CL.8.8
14	300332008	2	WASHER M12 FZB DIN126	WASHER M12 FZB DIN126
15	300316021	2	LOCK NUT M12 CL 8 FZB DIN985	NUT ISO 10511 M12-8-FZB
16	330290135	1	HANDLE	FRONT BEAM HANDLE LEFT SIDE DK_GREY

015

p1

STONEBEAR FRONT LIGHT KIT ASSEMBLY RIGHT SIDE; (SN Break) After KTNKA210E00001338



015

p1

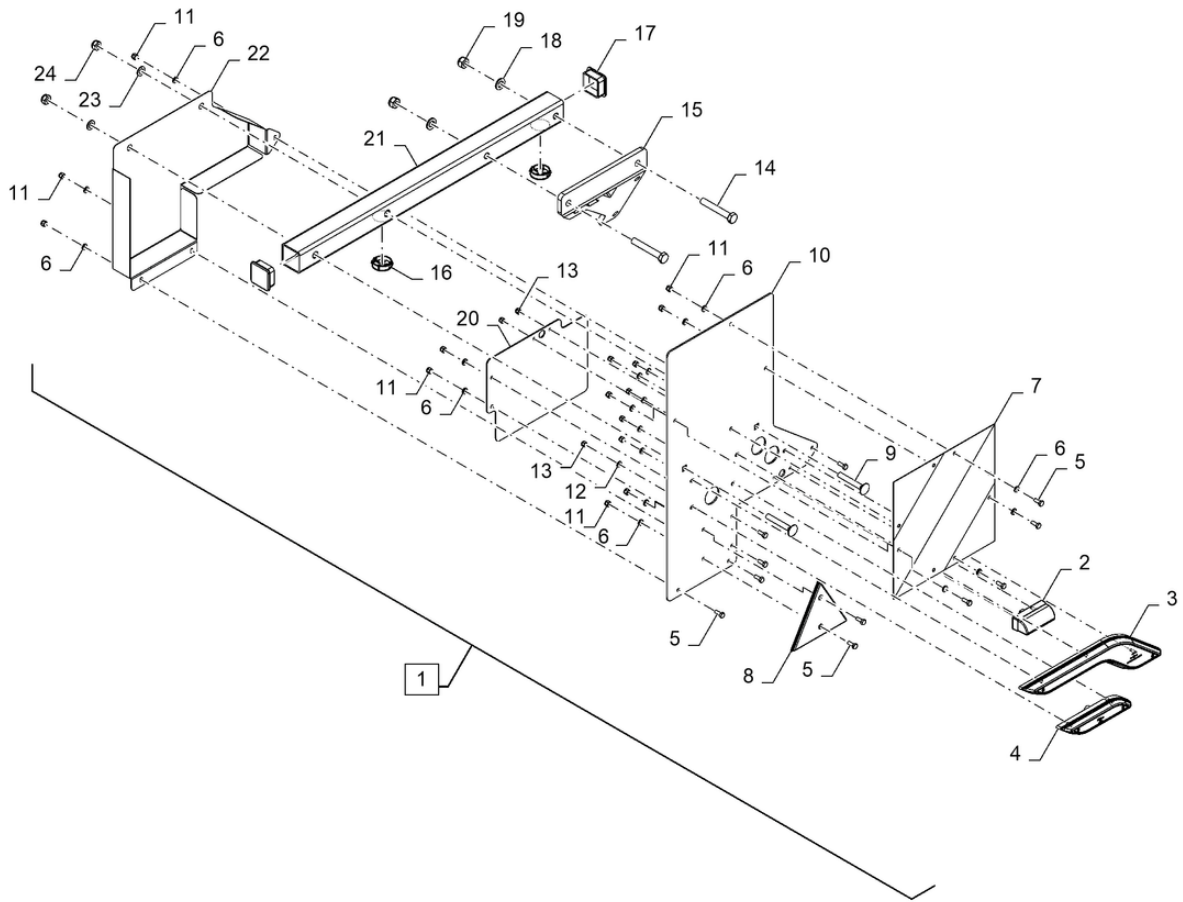
STONEBEAR FRONT LIGHT KIT ASSEMBLY RIGHT SIDE; (SN Break) After KTNKA210E00001338

REF	PN	QTY	DESCRIPTION	USAGE
1	330290112	1	BEAM	STONEBEAR FRONT LIGHT KIT ASSEMBLY RIGHT SIDE (Incl 2- 16)
2	86508568	4	BOLT Hex, M6 x 1 x 16mm, Cl 8.8, Full Thd	BOLT M6X16 CL. 8.8 ZND DIN931
3	300332038	8	WASHER	WASHER M6 FZB DIN126
4	48064922	1	PLATE	SIGNAL PLATE - DECAL PUT ON A ALUMINUM SHEET
5	500041244	1	REFLECTOR	REFLEX VIT, ?60
6	43476	2	BOLT Regular Sq Nk, M10 x 70mm, Cl 8.8	CARRIAGE BOLT M10X70 CL. 8.8 ZND DIN603
7	330290065	1	MOUNT	FRONT HOLDER FOR LIGHT
8	300316026	4	LOCK NUT M6 DIN985	NUT M6 DIN985
9	330290141	1	BEAM	HORIZONTAL FRONT BEAM ASSEMBLY
10	300332027	2	WASHER M10 FZB DIN126	WASHER M10 FZB DIN126
11	300316029	2	LOCK NUT	NUT ISO 10511 M10X1-8-FZB
12	300082635	1	PLUG	PLASTIC PLUGE 50X50
13	9706717	2	BOLT Hex, M12 x 1.75 x 70mm, Cl 8.8	BOLT M12X70 DIN931 CL.8.8
14	300332008	2	WASHER M12 FZB DIN126	WASHER M12 FZB DIN126
15	300316021	2	LOCK NUT M12 CL 8 FZB DIN985	NUT ISO 10511 M12-8-FZB
16	330290136	1	HANDLE	FRONT BEAM HANDLE RIGHT SIDE DK_GREY

016

p1

LIGHT KIT ASSEMBLY - LEFT SIDE; (SN Break) After KTNKA210E00001338



016

p1

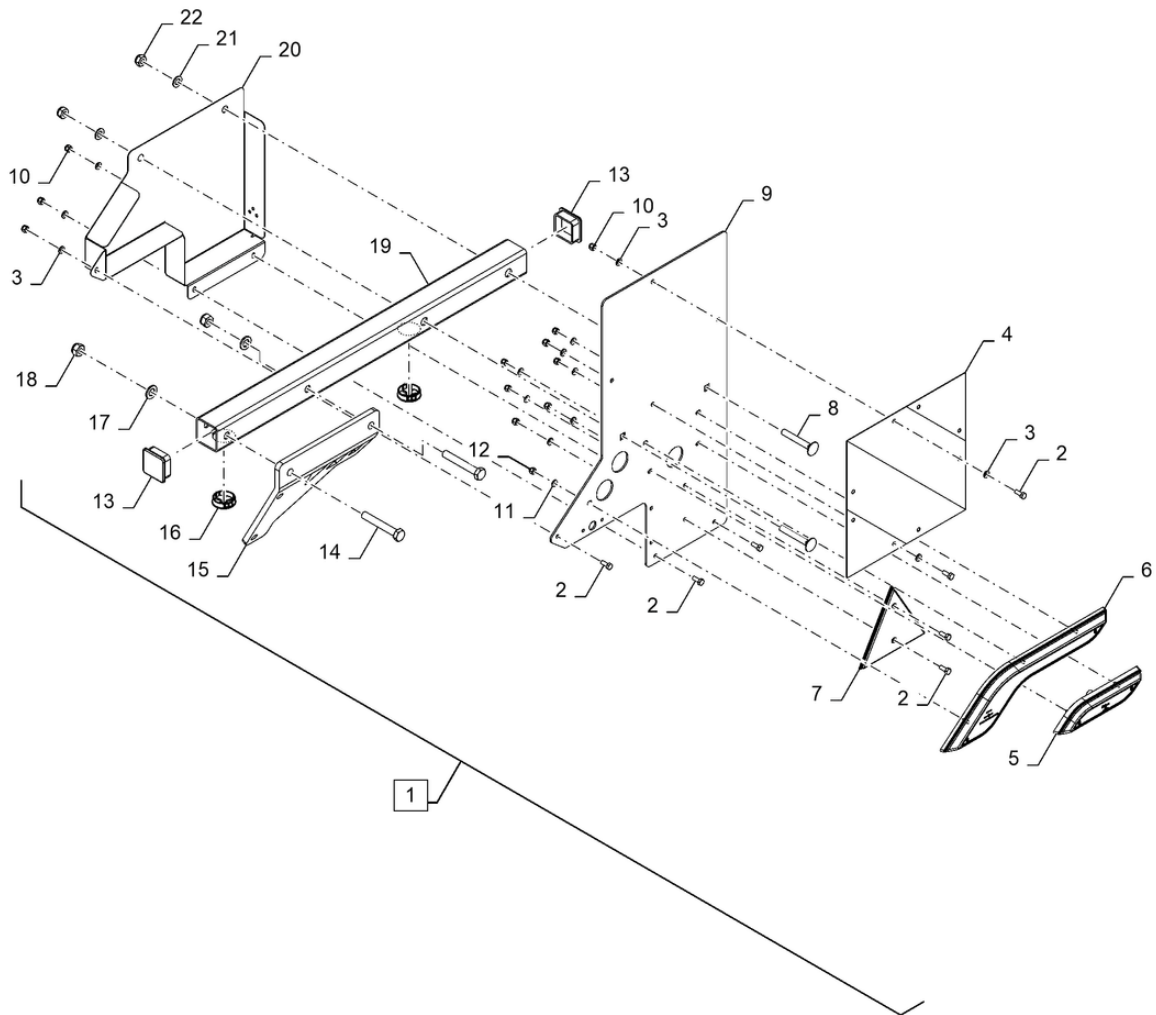
LIGHT KIT ASSEMBLY - LEFT SIDE; (SN Break) After KTNKA210E00001338

REF	PN	QTY	DESCRIPTION	USAGE
1	330290113	1	LIGHT ASSY.	LIGHT KIT ASSEMBLY - LEFT SIDE (Incl 2- 24)
2	330290077	1	LAMP	REAR REGISTRATION PLATE LAMP
3	51529365	1	POSITION LAMP	LAMP, POSITION, SAE / ECE STOP- TAIL LH
4	51529369	1	TURN/SMV LAMP	LAMP, TURN / SMV, ECE DIR INDICATOR LH
5	86508568	11	BOLT Hex, M6 x 1 x 16mm, Cl 8.8, Full Thd	BOLT, M6X16 FULL 8.8 ZND
6	300332038	15	WASHER	WASHER M6 FZB DIN126
7	48064922	1	PLATE	SIGNAL PLATE - DECAL PUT ON A ALUMINUM SHEET
8	500053263	1	WARNING DECAL	REAR RETRO-REFLECTOR (TRIANGULAR)
9	43476	2	BOLT Regular Sq Nk, M10 x 70mm, Cl 8.8	CARRIAGE BOLT M10X70 CL. 8.8 ZND DIN603
10	330290062	1	PLATE	SHEET METAL FOR LIGHT KIT FIXING DK GREY
11	300316026	11	LOCK NUT M6 DIN985	NUT M6 DIN985
12	322356	5	BELLEVILLE WASHER M5 Bolt Size x 12mm OD x 1.85mm Thk	WASHER, BELLEVILLE, LOCK M5X12 ZNM
13	300316025	7	LOCK NUT DIN985 M5	SELF-LOCKING NUT M5 CL. 8 FZB DIN985
14	43158	2	BOLT Hex, M12 x 1.75 x 80mm, Cl 8.8	BOLT M12X80 CL. 8.8 ZND DIN931
15	330290120	1	HANDLE	LIGHT HANDLE SHEET LEFT SIDE (PAINTED)
16	303100018	2	RING	CABLE PASS D=38,1MM
17	300082635	2	PLUG	PLASTIC PLUGE 50X50
18	300332008	2	WASHER M12 FZB DIN126	WASHER M12 FZB DIN126
19	300316021	2	LOCK NUT M12 CL 8 FZB DIN985	NUT ISO 10511 M12-8-FZB
20	330290128	1	SUPPORT	REGISTRATION PLATE SUPPORT (GREY)
21	330290126	1	BEAM	PROFILE HORIZONTAL LIGHT KIT
22	330290084	1	COVER	CONNECTORS COVER - LEFT SIDE DK_GREY
23	300332027	2	WASHER M10 FZB DIN126	WASHER M10 FZB DIN126
24	300316029	2	LOCK NUT	NUT ISO 10511 M10X1-8-FZB

017

p1

LIGHT KIT ASSEMBLY - RIGHT SIDE; (SN Break) After KTNKA210E00001338



017

p1

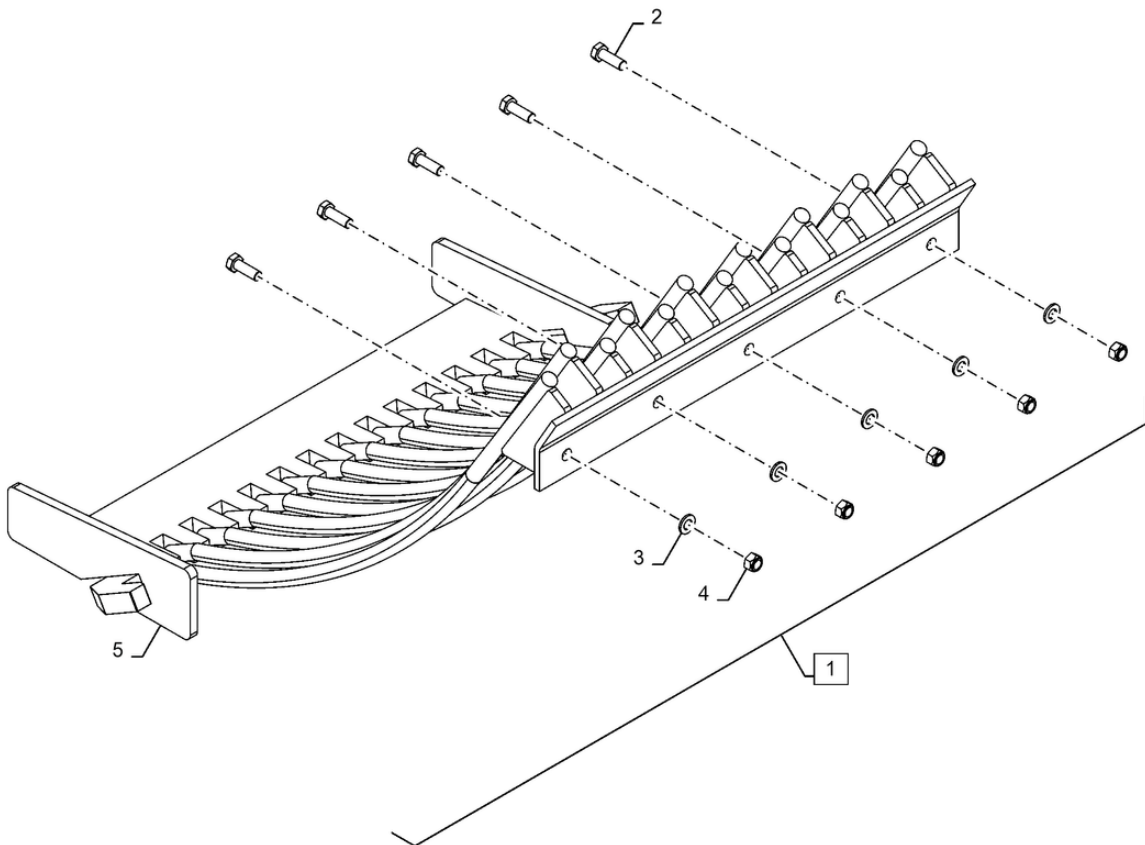
LIGHT KIT ASSEMBLY - RIGHT SIDE; (SN Break) After KTNKA210E00001338

REF	PN	QTY	DESCRIPTION	USAGE
1	330290114	1	LIGHT ASSY.	LIGHT KIT ASSEMBLY - RIGHT SIDE (Incl 2- 22)
2	86508568	9	BOLT Hex, M6 x 1 x 16mm, CI 8.8, Full Thd	BOLT M6X16 8.8 FZB DIN933
3	300332038	13	WASHER	WASHER M6 FZB DIN126
4	48064922	1	PLATE	SIGNAL PLATE - DECAL PUT ON A ALUMINUM SHEET
5	51529368	1	TURN/SMV LAMP	LAMP, POSITION, SEA / ECE STOP-TAIL RH
6	51529361	1	POSITION LAMP	LAMP, TURN / SMV, ECE DIR INDICATOR RH
7	500053263	1	WARNING DECAL	REAR RETRO-REFLECTOR (TRIANGULAR)
8	43476	2	BOLT Regular Sq Nk, M10 x 70mm, CI 8.8	CARRIAGE BOLT M10X70 CL. 8.8 ZND DIN603
9	330290062	1	PLATE	SHEET METAL FOR LIGHT KIT FIXING DK GREY
10	300316026	9	LOCK NUT M6 DIN985	NUT M6 DIN985
11	322356	5	BELLEVILLE WASHER M5 Bolt Size x 12mm OD x 1.85mm Thk	WASHER, BELLEVILLE, LOCK M5X12 ZNM
12	300316025	5	LOCK NUT DIN985 M5	SELF-LOCKING NUT M5 CL. 8 FZB DIN985
13	300082635	2	PLUG	PLASTIC PLUGE 50X50
14	43158	2	BOLT Hex, M12 x 1.75 x 80mm, CI 8.8	BOLT M12X80 CL. 8.8 ZND DIN931
15	330290119	1	HANDLE	LIGHT HANDLE SHEET RIGHT SIDE (PAINTED)
16	303100018	2	RING	CABLE PASS D=38,1MM
17	300332008	2	WASHER M12 FZB DIN126	WASHER M12 FZB DIN126
18	300316021	2	LOCK NUT M12 CL 8 FZB DIN985	NUT ISO 10511 M12-8-FZB
19	330290126	1	BEAM	PROFILE HORIZONTAL LIGHT KIT
20	330290085	1	COVER	REAR LIGHTS COVER PLATE
21	300332027	2	WASHER M10 FZB DIN126	WASHER M10 FZB DIN126
22	300316029	2	LOCK NUT	NUT ISO 10511 M10X1-8-FZB

024

p1

SCREEN 28MM - DIA KIT



024

p1

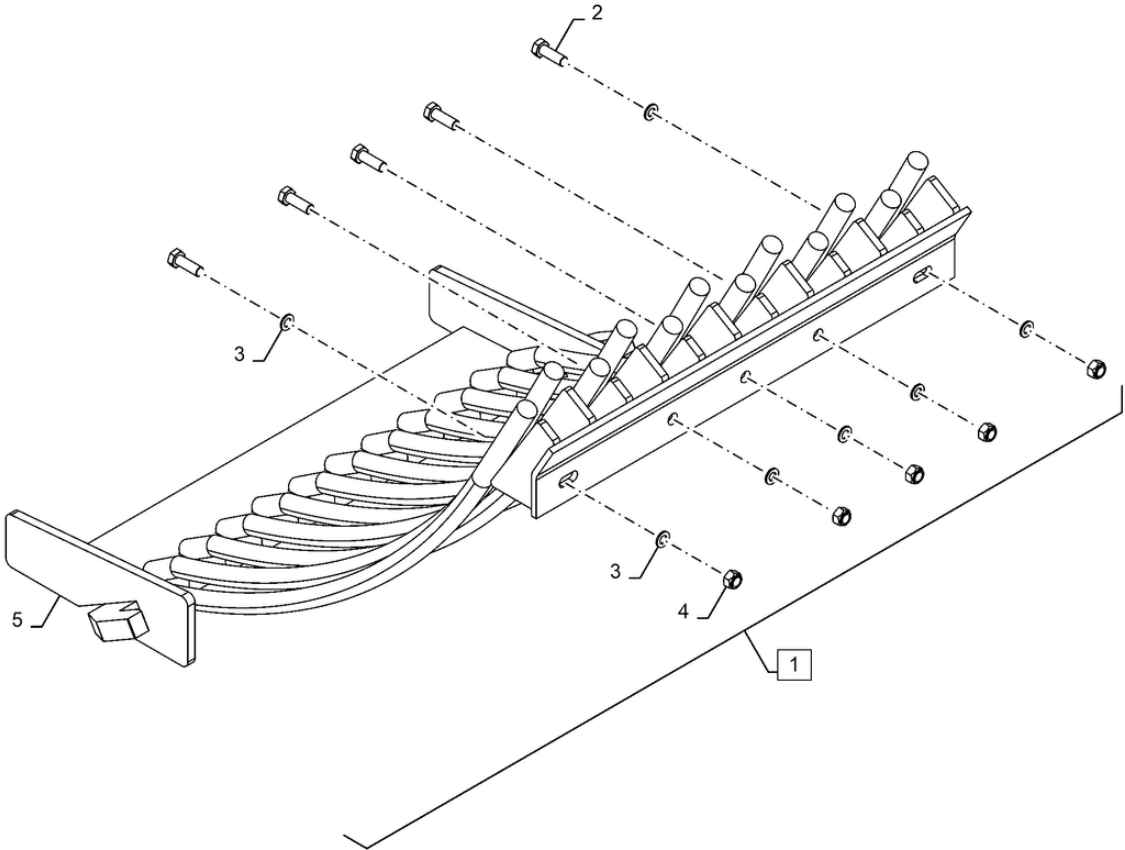
SCREEN 28MM - DIA KIT

REF	PN	QTY	DESCRIPTION	USAGE
1	92045666	1	DIA KIT, HARVESTER	Screen 28mm - DIA KIT (Incl. 2 - 5)
2	300389	5	BOLT Hex, M12 x 1.75 x 35mm, Cl 8.8, Full Thd	Bolt M12x35 cl. 8.8 ZND DIN933
3	86511324	5	WASHER 13mm ID x 24mm OD x 2.5mm Thk	Washer M12 CST ZND DIN126
4	300316021	5	LOCK NUT M12 CL 8 FZB DIN985	LOCK NUT. M12 cl.8 FZB DIN985
5	500068621	1	DIA KIT, HARVESTER	Screen 28mm WA CNHi DARK GREY

025

p1

SCREEN 35MM - DIA KIT



025

p1

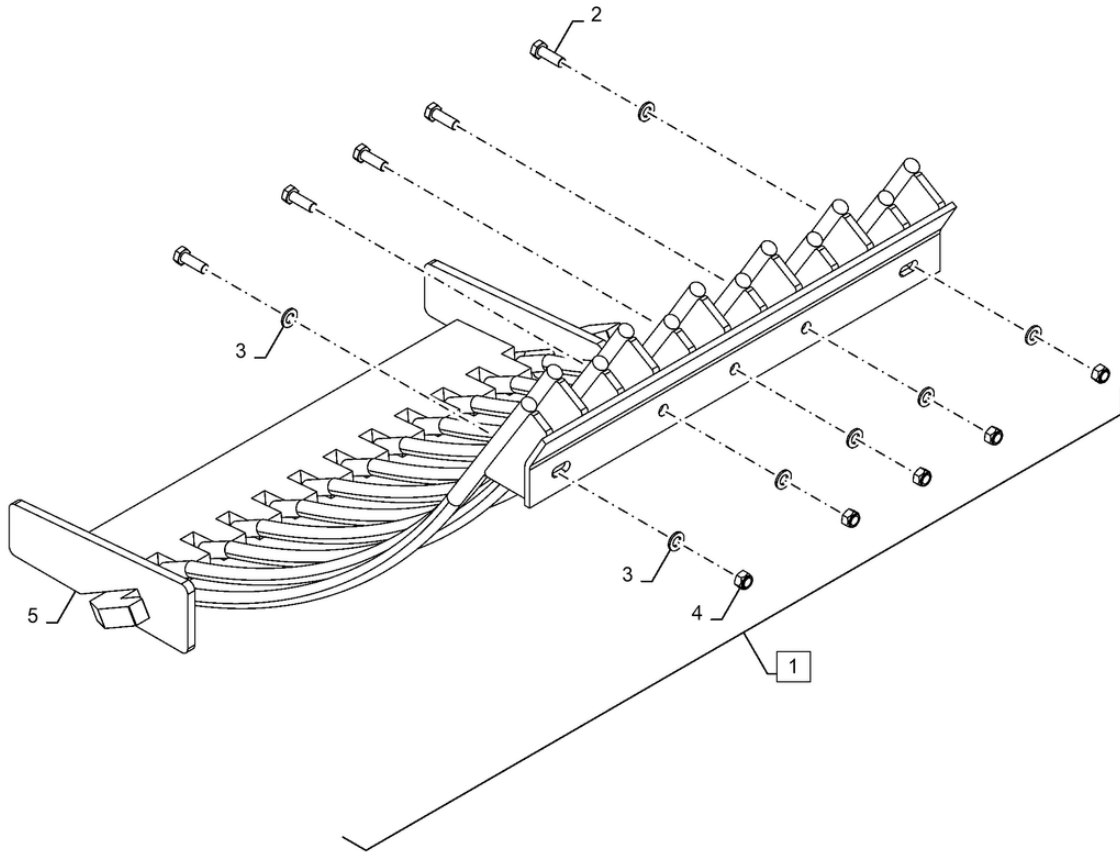
SCREEN 35MM - DIA KIT

REF	PN	QTY	DESCRIPTION	USAGE
1	92045667	1	DIA KIT, HARVESTER	Screen 35mm - DIA KIT
2	300389	5	BOLT Hex, M12 x 1.75 x 35mm, Cl 8.8, Full Thd	Bolt M12x35 cl. 8.8 ZND DIN933
3	87529298	7	WASHER 11mm ID x 21mm OD x 2mm Thk	Washer M10 CST DOR DIN126
4	300316021	5	LOCK NUT M12 CL 8 FZB DIN985	LOCK NUT. M12 cl.8 FZB DIN985
5	500068615	1	DIA KIT, HARVESTER	Screen 35mm WA CNHi DARK GREY

026

p1

SCREEN 40MM - DIA KIT



026

p1

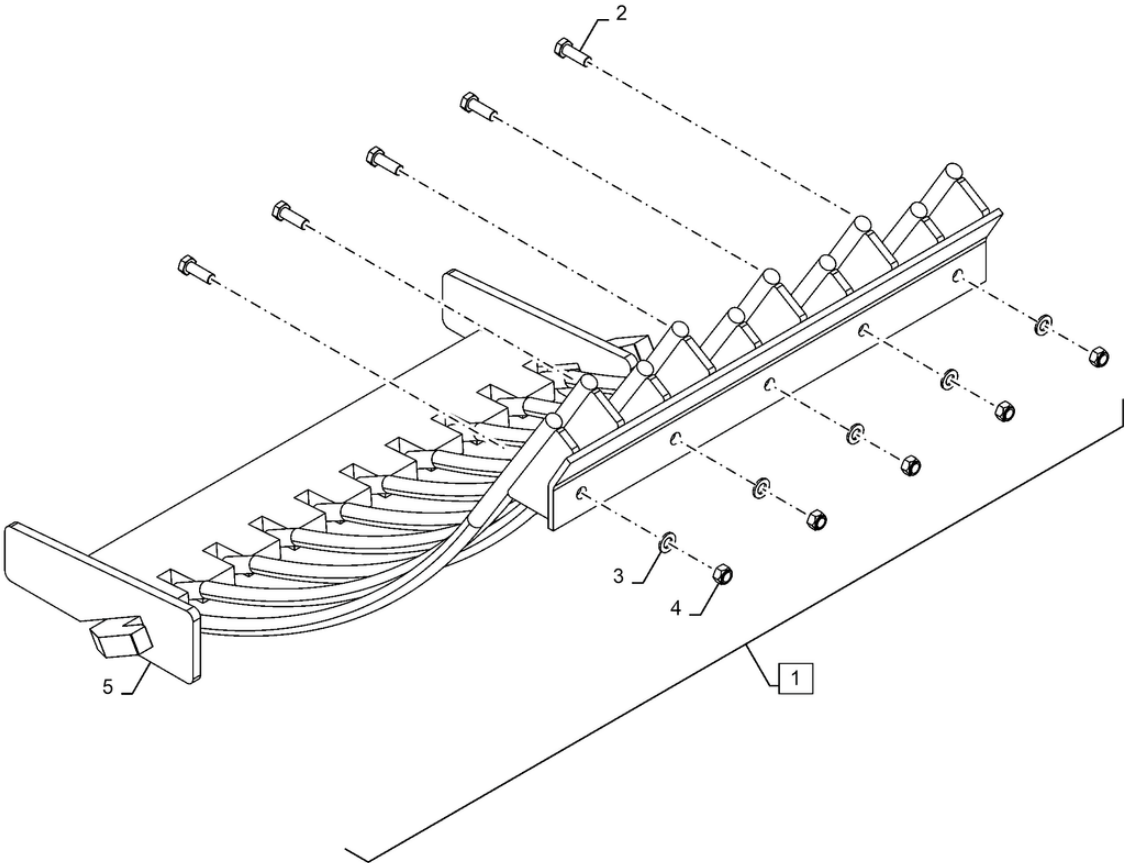
SCREEN 40MM - DIA KIT

REF	PN	QTY	DESCRIPTION	USAGE
1	92045668	1	DIA KIT, HARVESTER	Screen 40mm - DIA KIT (Incl. 2 - 5)
2	300389	5	BOLT Hex, M12 x 1.75 x 35mm, Cl 8.8, Full Thd	Bolt M12x35 cl. 8.8 ZND DIN933
3	86511324	7	WASHER 13mm ID x 24mm OD x 2.5mm Thk	Washer M12 CST ZND DIN126
4	300316021	5	LOCK NUT M12 CL 8 FZB DIN985	LOCK NUT. M12 cl.8 FZB DIN985
5	500068616	1	DIA KIT, HARVESTER	Screen 40mm WA CNHi DARK GREY

027

p1

SCREEN 50MM - DIA KIT



027

p1

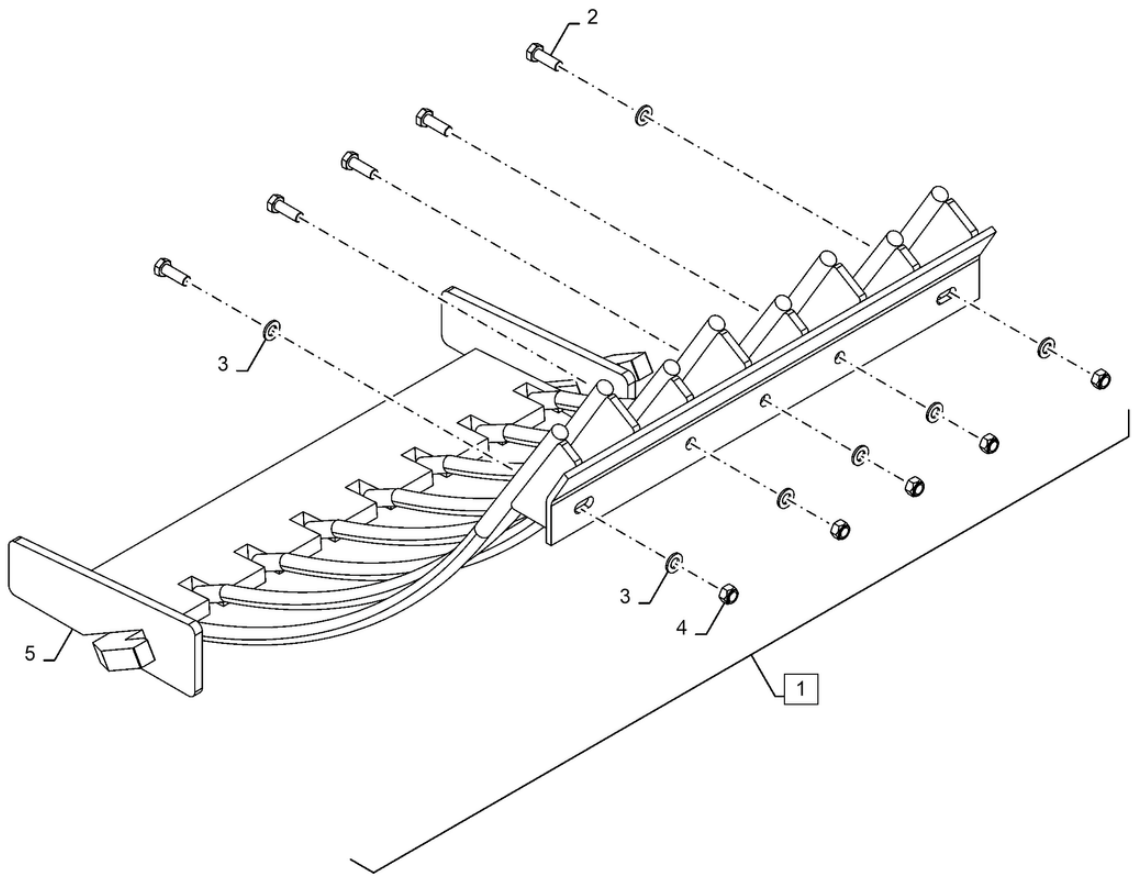
SCREEN 50MM - DIA KIT

REF	PN	QTY	DESCRIPTION	USAGE
1	92045669	1	DIA KIT, HARVESTER	Screen 50mm - DIA KIT (Incl. 2- 5)
2	300389	5	BOLT Hex, M12 x 1.75 x 35mm, Cl 8.8, Full Thd	Bolt M12x35 cl. 8.8 ZND DIN933
3	86511324	5	WASHER 13mm ID x 24mm OD x 2.5mm Thk	Washer M12 CST ZND DIN126
4	300316021	5	LOCK NUT M12 CL 8 FZB DIN985	LOCK NUT. M12 cl.8 FZB DIN985
5	500068617	1	DIA KIT, HARVESTER	Screen 50mm WA CNHi DARK GREY

028

p1

SCREEN 70MM - DIA KIT



028

p1

SCREEN 70MM - DIA KIT

REF	PN	QTY	DESCRIPTION	USAGE
1	92045670	1	DIA KIT, HARVESTER	Screen 70mm - DIA KIT (Incl. 2 - 5)
2	300389	5	BOLT Hex, M12 x 1.75 x 35mm, Cl 8.8, Full Thd	Bolt M12x35 cl. 8.8 ZND DIN933
3	86511324	7	WASHER 13mm ID x 24mm OD x 2.5mm Thk	Washer M12 CST ZND DIN126
4	300316021	5	LOCK NUT M12 CL 8 FZB DIN985	LOCK NUT. M12 cl.8 FZB DIN985
5	500068618	1	DIA KIT, HARVESTER	Screen 70mm WA CNHi DARK GREY